

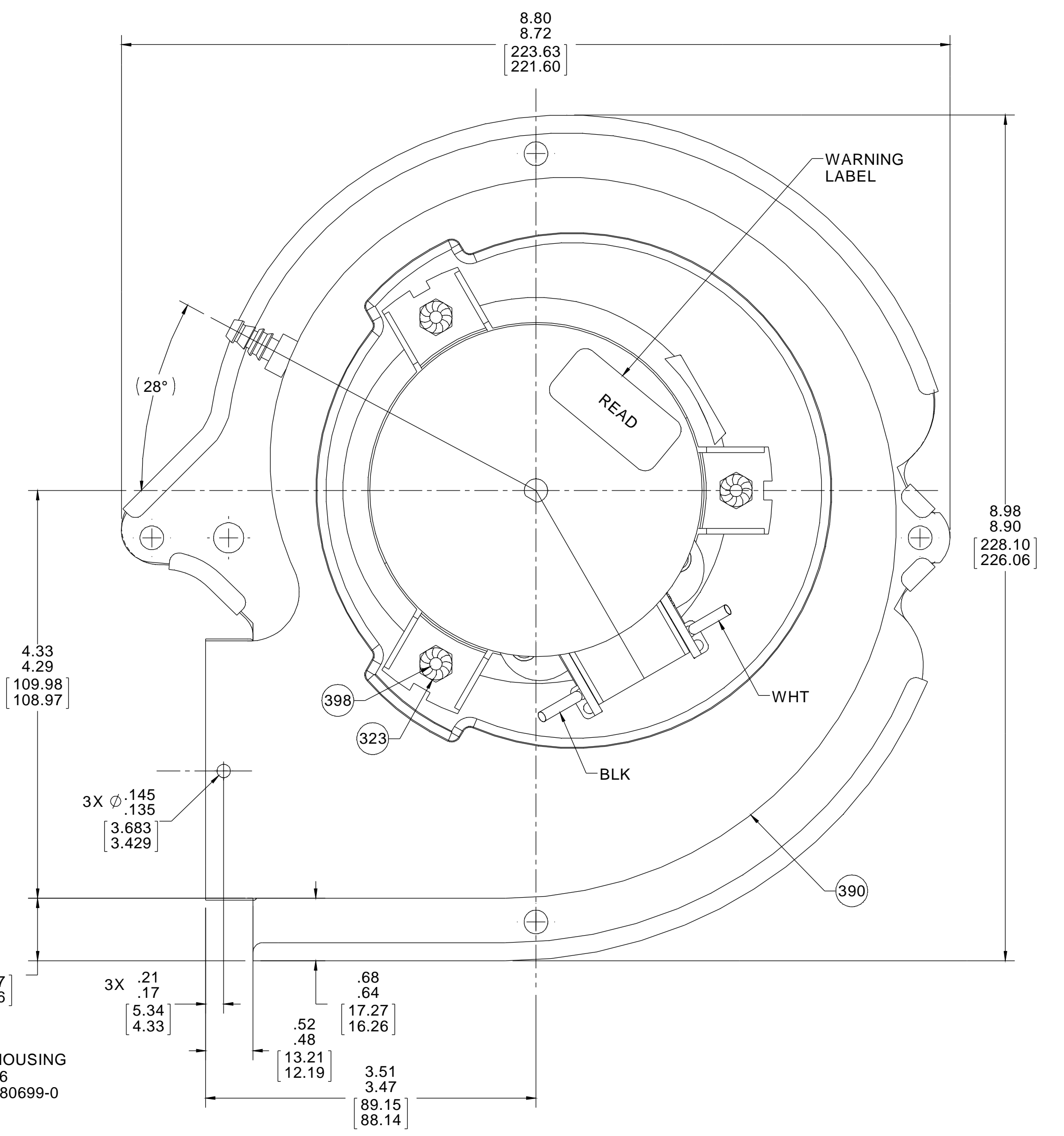
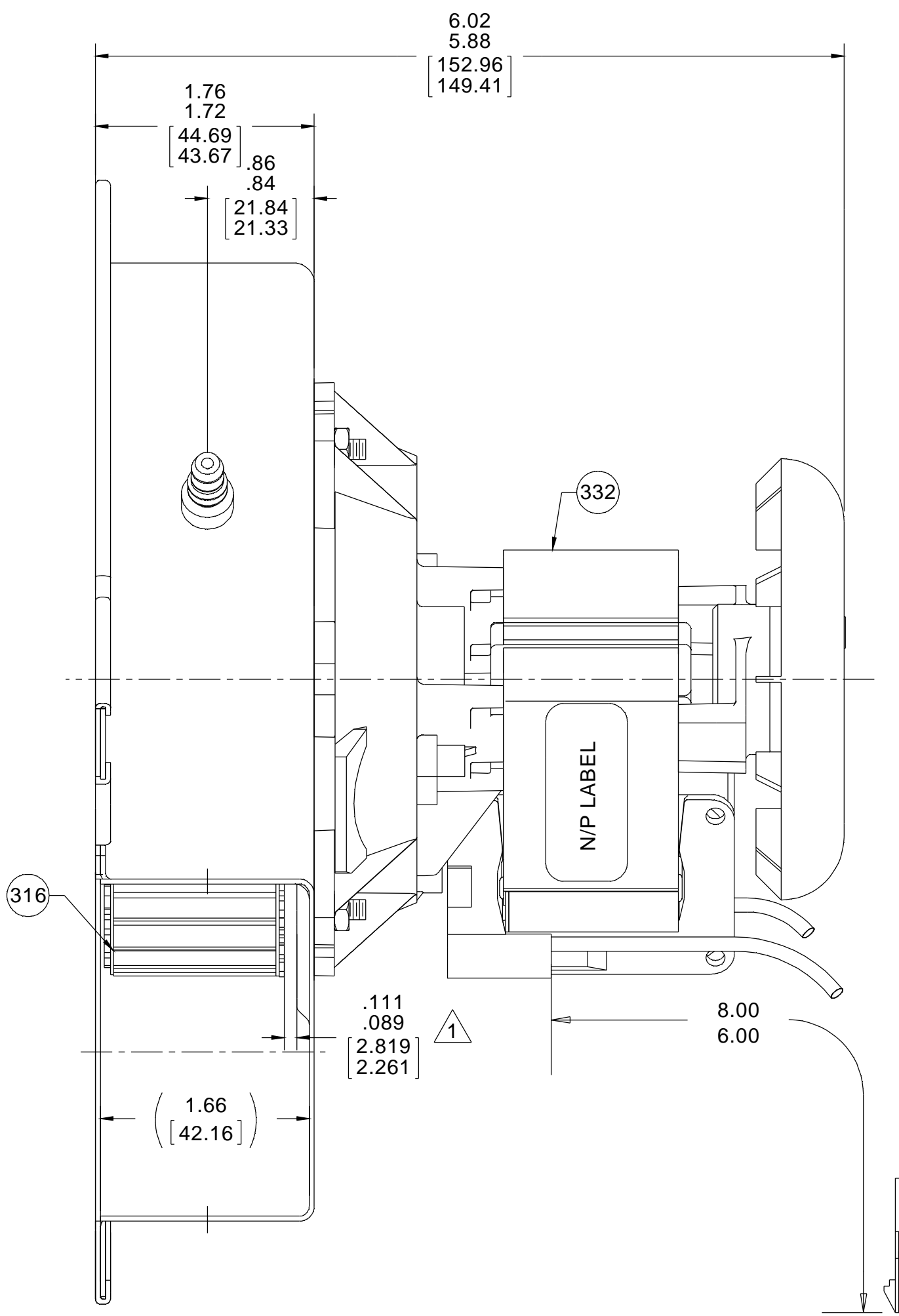
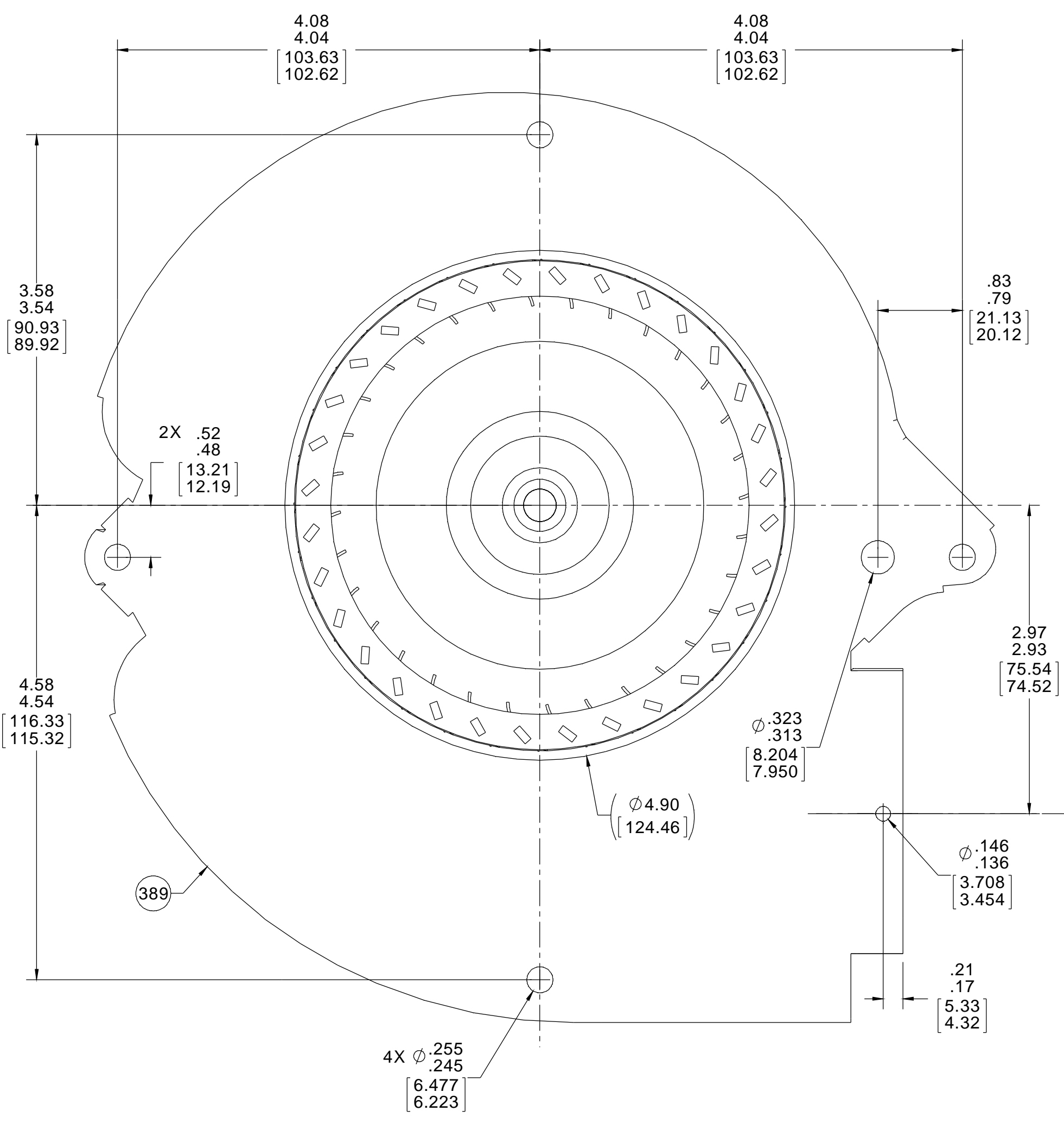
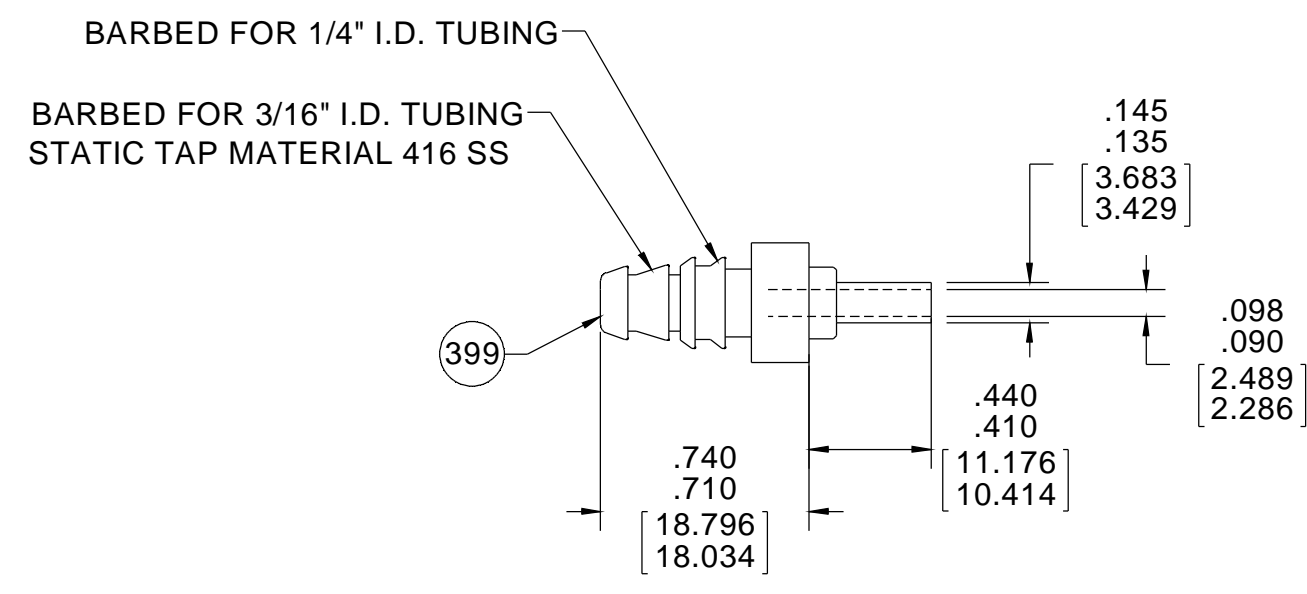
NOTES:

1. IMPELLER LOCATION MEASURED FROM THE INSIDE OF THE MOTOR SHELL ON THE DISHED AREA TO THE BACK OF THE IMPELLER.
2. INSPECTION TEST FIXTURING REQUIRED.
3. STATIC TAP READING TO BE -1.30 TO -1.65 CORRECTED TO STANDARD AIR (0.075 LB/FT³) WITH 1 5/16" INLET RESTRICTOR.
4. IMPELLER MUST BE ALUMINIZED STEEL, BECKETT AIR F115-34S.
5. PACK 1 PER CONTAINER, 12 CONTAINERS PER LAYER, 4 LAYERS PER PALLET, 48 MAX. AMOUNT PER PALLET. PACKING ASSEMBLY 87855084. P.S. 88834200.
6. CARTON LABELS MUST ALL FACE ONE DIRECTION TOWARD THE OPEN END OF THE PALLET. SEE P.S. 88834408.
7. NO PACKING TAPE OVER CARTON LABEL.

THERMALLY PROTECTED
CLASS "B" INSULATION
SEALED BALL BEARING
416 SS SHAFT

APPLICATION:	DISTRIBUTION	B	LA	FR	A	S	C	E	B	A
CUSTOMER:	FASCO DIST.	GS	58	48	X	18	OD	5	0	0
CUSTOMER PN:	A208									

LEAD MATERIAL
18 GA. 125°C. 2/64 INSUL.
X-LINKED POLY,
BLK AND WHT
W/SOCKET TERMS. 89039084
AMP 350536-1



PIN 1 - BLK
PIN 2 - WHT
TERM. HOUSING
89039146
AMP 1-480699-0

61305568

SAFETY WARNING
This motor must be grounded in accordance with local or national electrical codes to prevent possible injury due to electrical shock.

AVERTISSEMENT DE SECURITE
Ce moteur doit être fondé sur conformément à la réglementation locale ou nationale électrique codes pour prévenir d'éventuelles blessures en raison de choc électrique.

TYPICAL PERFORMANCE TEST DATA WITH 1 5/16 INLET RESTRICTOR AT 115 VOLTS 60 Hz

	RPM	WATTS	AMPS
	3309	76	1.31

BLOWER WEIGHT
5 1/4 LBS.

ENDPLAY
.XX/.XX

DRAWING REVISION E	REVISION BY KSA	DATE 4/9/2015	TOLERANCES UNLESS OTHERWISE SPECIFIED: DEC. INCH mm ANGLE .XX ±0.1 [-0.25] .125 .XX ±0.01 [-0.25] .125 XXX ±0.005 [-0.127] .125 XXXX ±0.0005 [-0.0127] .125	DRAWN BY KSA	DATE 4/9/2015	DESCRIPTION BLOWER ASSY
ECO DESCRIPTION REMOVE DIM. FORMED AREA & REDRAW TO SW	APPROVED BY RPT	DATE 4/9/2015	PROPRIETARY AND CONFIDENTIAL INFORMATION - THIS DOCUMENT IS THE PROPERTY OF REGAL BELLOIT AMERICA, INC. (OWNER) AND CONTAINS OWNER'S PROPRIETARY INFORMATION. ANY PERSON, CORPORATION OR OTHER FIRM RECEIVING IT IS DEEMED TO HAVE AGREED TO ACCEPT THAT IT AND ANY PART OF IT SHALL NOT BE DISCLOSED TO ANY PERSON, CORPORATION OR OTHER ENTITY, DUPLICATED AND/OR USED, EXCEPT AS EXPRESSLY APPROVED IN WRITING IN ADVANCE BY OWNER. THIS DOCUMENT SHALL BE RETURNED TO OWNER UPON REQUEST. IT MAY BE SUBJECT TO CERTAIN RESTRICTIONS UNDER APPLICABLE EXPORT CONTROL LAWS AND REGULATIONS.	APPROVED BY RPT	DATE 4/9/2015	MATERIAL NATURAL
THIRD ANGLE PROJECTION			SIZE D	DRAWING NUMBER 70581799	SHEET 1 OF 1	

