

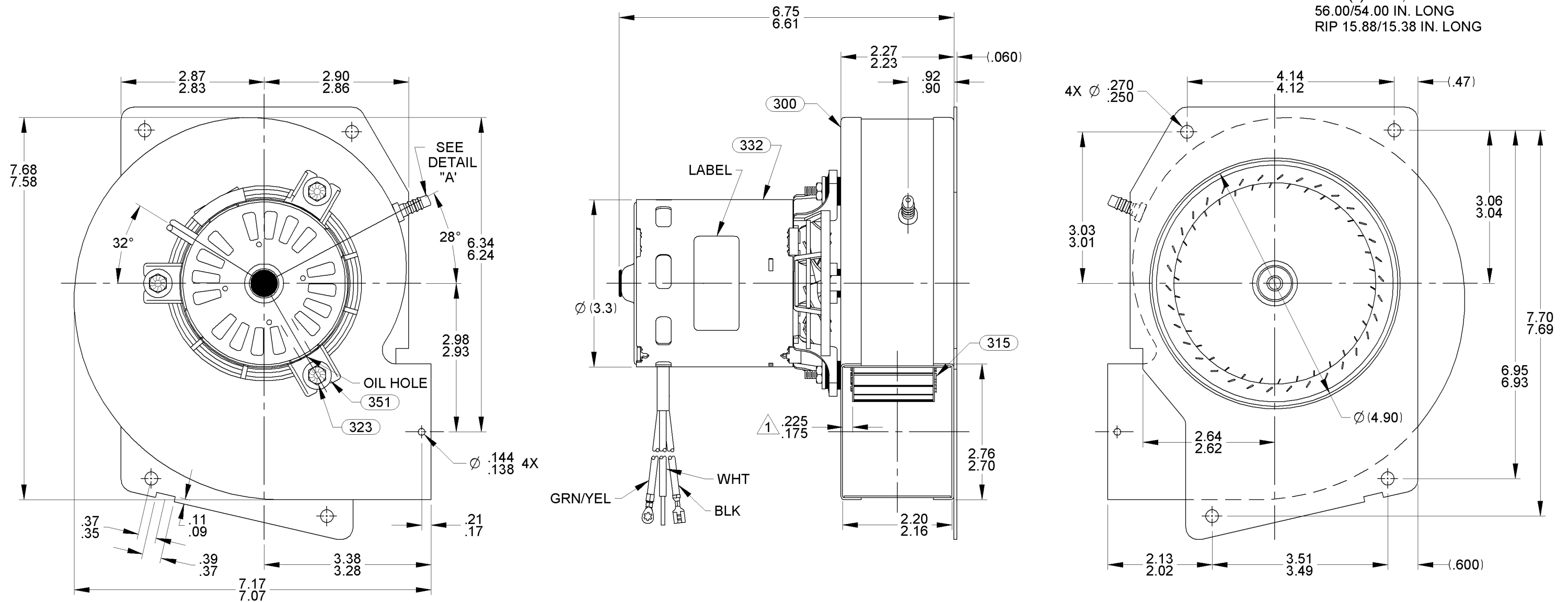
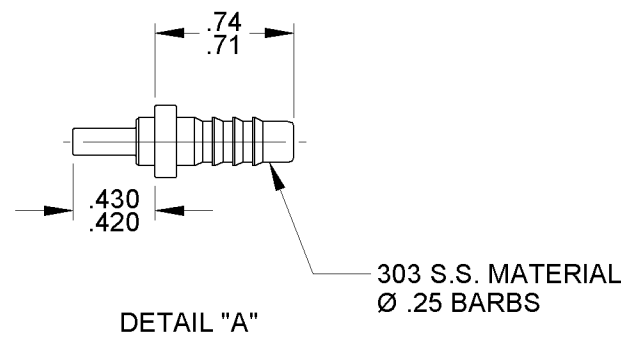
NOTES:

1. DIMENSION IMPELLER WITH END PLAY PUSHED TOWARD MOTOR.
2. INSPECTION TEST FIXTURE IS REQUIRED.
3. STATIC TAP READING IS TO BE -1.3" MINIMUM CORRECTED TO STANDARD AIR (0.075 LB/FT³) WITH A 1 5/16" INLET RESTRICTOR.
4. PACK 1 PER CONTAINER, 64 MAX. PER PALLET, PACKING ASSY. 87854854, 16 CONTAINERS PER LAYER, 4 LAYER PER PALLET, P.S. 88834200 AND P.S. 88834408.
5. CARTON LABELS MUST ALL FACE ONE DIRECTION TOWARD THE OPEN END OF THE PALLET. SEE P.S. 88834408.
6. NO PACKAGING TAPE OVER CARTON LABEL.

APPLICATION	UNIT HEATER								
	B	LA	FR	A	S	C	E	B	A
	12	21	47	V	05	OA	5	3	0
CUSTOMER	FASCO DIST.								
CUSTOMER PART NO.	A206								

THERMALLY PROTECTED
CLASS "B" INSULATION
416 S.S. SHAFT

LEAD MATERIAL
18 GA. 105°C 2/64 INSUL.
SJT 3-CONDUCTOR
(1) BLK, FSPADE TERM. 89020033
AMP 41274
(1) GRN/YEL, RING TERM 89020157
AMP 350436-2
AND (1) WHT, .66/.54 IN. STRIP
56.00/54.00 IN. LONG
RIP 15.88/15.38 IN. LONG



AVERAGE PERFORMANCE TEST DATA
WITH 1 5/16" INLET RESTRICTOR.

AT 115 VOLTS 60 HZ.

ECO. NO.	REV.	DATE	APPROVAL
4003378	09	10/06/11	KSA/BGP
4007632	10	12/12/2012	MLM/SED
4009612	11	6/28/2013	MLS/SED
4010131	12	8/23/2013	MLS/BGP

R.P.M.	WATTS	AMPS
3334	92	1.28
BLOWER WEIGHT 5 1/2 LBS.		END PLAY .030/.010

UNLESS OTHERWISE SPECIFIED DIMENSIONS ARE
IN INCHES TOLERANCES ARE:
FRACTIONS ± 1/16 DECIMALS XX ± .01 ANGLES ± 1°
XXX ± .005

APPROVALS	DATE
DRAWN SDM	10/18/2005
CHECKED PLA	10/18/2005
BLOWER - ALUMINIZED MOTOR - FLAT BLACK	

FASCO FASCO MOTORS GROUP
AC MOTOR/BLOWER DIVISION

CONFIDENTIAL: DO NOT DUPLICATE OR DISCLOSE TO THIRD PARTIES WITHOUT
WRITTEN PERMISSION OF FASCO MOTORS GROUP, AC MOTOR/BLOWER DIVISION.

TITLE BLOWER ASSEMBLY		
SIZE B	DWG. NO. 7021 11688	REV. 12
DO NOT SCALE DRAWING		SHEET 1 OF 1