

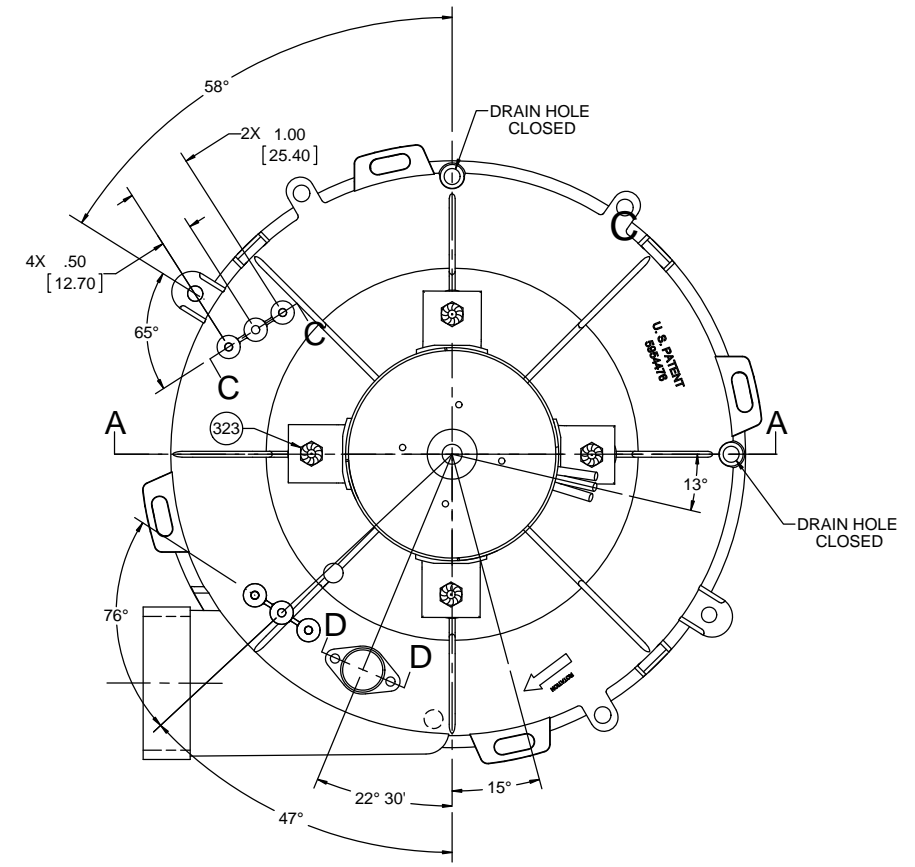
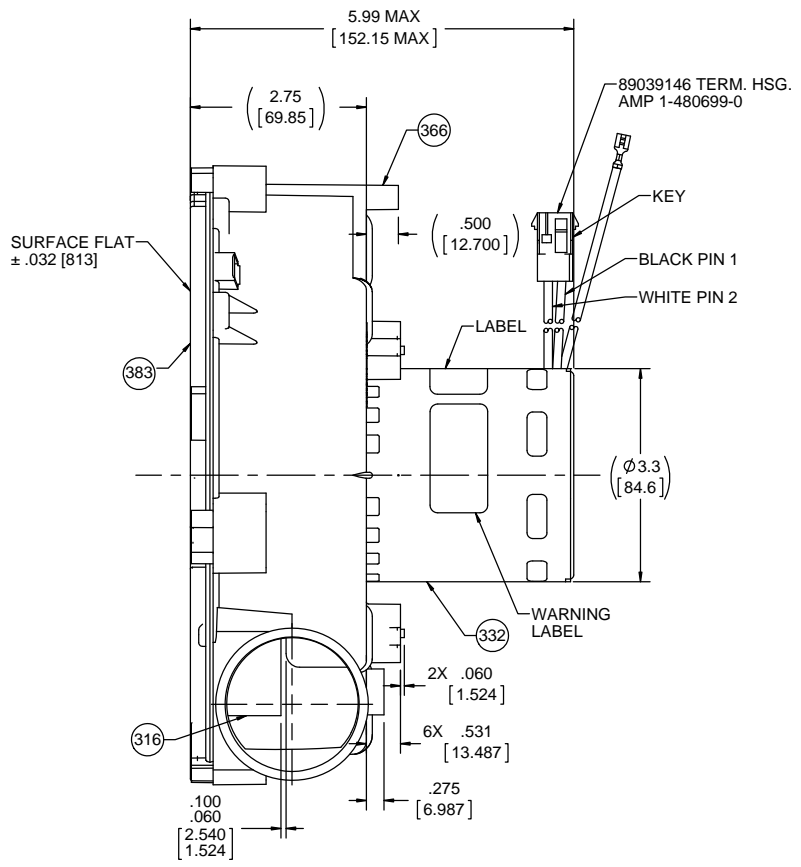
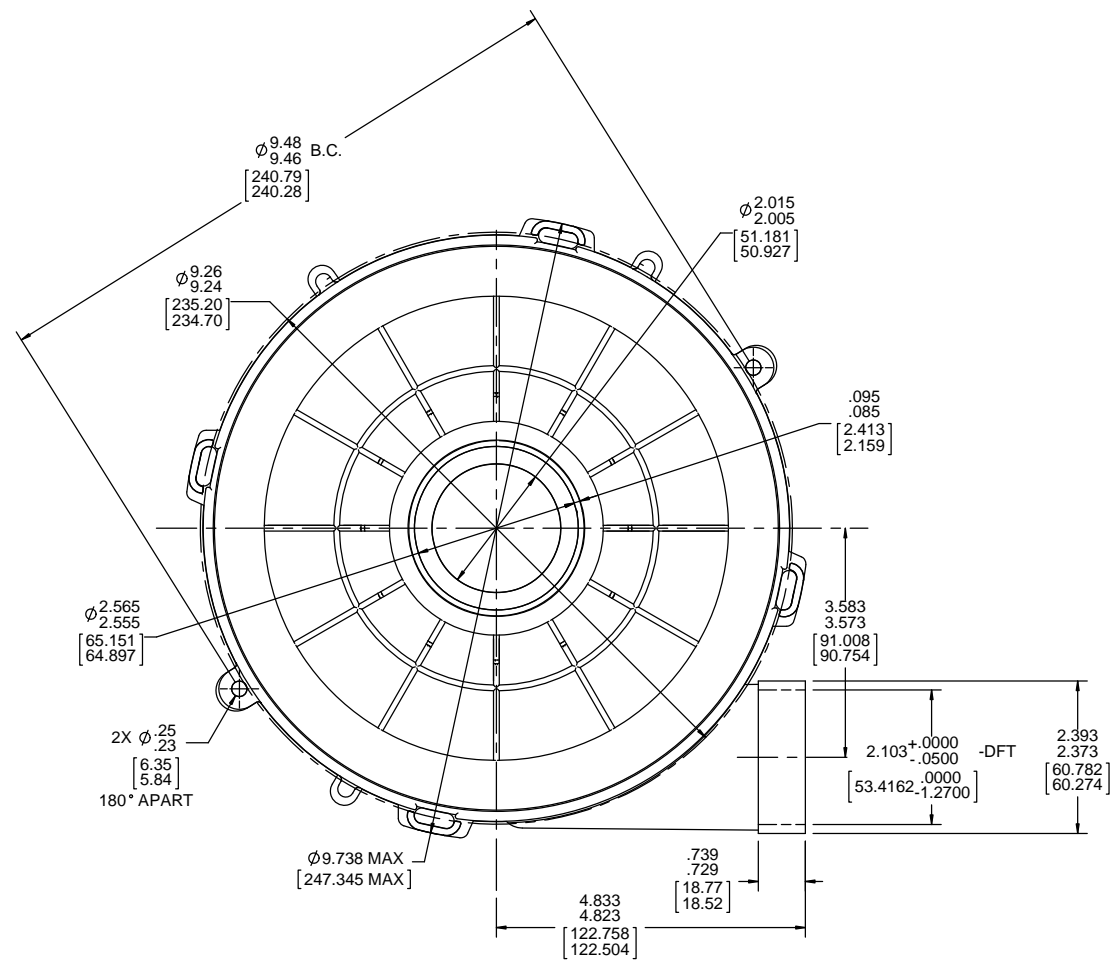
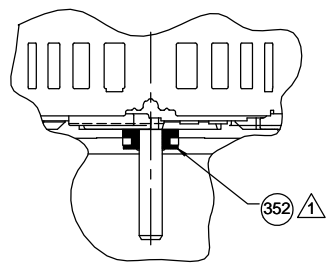
THERMALLY PROTECTED  
CLASS 'B' INSULATION  
SEALED BALL BEARING  
416 SS SHAFT

APPLICATION:	90+ FURNACE	B	LA	FR	A	S	C	E	B	A
CUSTOMER:	FASCO DIST.	PS	21	47	F	06	CK	5	0	0
CUSTOMER PN:	A204									

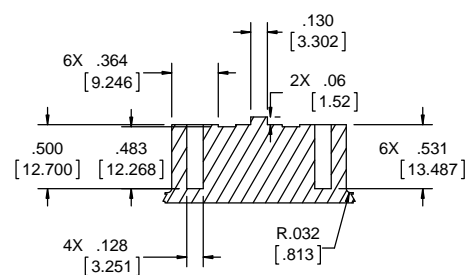
NOTES:

- ASSEMBLE PC 352 SEAL BEFORE MOTOR HAS BEEN ASSEMBLED.
- INSPECTION TEST FIXTURE REQUIRED
- EVERY 20TH BLOWER, ASSEMBLE RUBBER COUPLING END OF TEST FIXTURE 33-222-001 SECURELY TO BLOWER EXHAUST, WITH TEST FIXTURE ON EXHAUST AND INLET RESTRICTED TO 1.25", TAP PORT IN TEST FIXTURE MUST READ BETWEEN +1.50" AND + 2.25". NOTE - ALL READINGS ABOVE ARE CORRECTED TO STD. AIR (.075 LB/FT<sup>3</sup>).
- PACK 1 PER CONTAINER, 36 MAX. PER PALLET, PACKING ASSY.: 87854916, 12 CONTAINERS PER LAYER, 3 LAYERS PER PALLET, PER 88834200 & 88834408.
- CARTON LABELS MUST ALL FACE ONE DIRECTION TOWARD THE OPEN END OF THE PALLET. SEE 88834408.
- NO PACKAGING TAPE OVER CARTON LABEL.

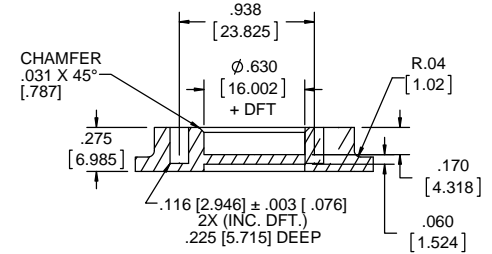
LEAD MATERIAL  
18 GA. 125°C, 2/64 INSUL.  
X-LINKED POLY.  
(1) BLACK, (1) WHITE  
8.00/6.00 [203.20/152.40]  
89039084 SOCKET TERM.  
AMP 350536-1  
GROUND LEAD, GRN/YEL  
33.00/31.00 [838.20/787.40]  
89020033 FSPADE TERM.  
AMP 41274



SECTION C-C



SECTION D-D



TYPICAL PERFORMANCE TEST DATA WITH 1.25 INCH INLET RESTRICTOR AT 115 VOLTS B5 60 HZ		
RPM	WATTS	AMPS
3300	132	1.97
BLOWER WEIGHT 5 1/4 LBS.		ENDPLAY .XX/XX

DRAWING REVISION K	REVISION BY PLA	DATE 1/10/2017	TOLERANCES UNLESS OTHERWISE SPECIFIED: DEC. INCH mm ANGLE .X ±0.1 [±2.5] ±1° .XX ±0.01 [±0.25] .XXX ±0.005 [±0.127] XXXX ±0.0005 [±0.0127]	DRAWN BY PLA	DATE 1/10/2017	REGAL BELLOIT AMERICA, INC.™ Regal Beloit America, Inc.
ECO-0115981	APPROVED BY MLS	DATE 1/10/2017	REMOVED BURRS & BREAK SHARP EDGES: .003/.015 [0.076/.381] X 45° CORNER FILLETS: R.02 [5.1] MACHINED SURFACES: 125 INCH 32/ mm SHOWN IN [BRACKETS]	APPROVED BY MLS	DATE 1/10/2017	BLOWER ASSY
BLOWN ON SOLID WORKS PROPRIETARY AND CONFIDENTIAL INFORMATION - THIS DOCUMENT IS THE PROPERTY OF REGAL BELLOIT AMERICA, INC. OWNERS AND CONTAINS OWNERS PROPRIETARY INFORMATION. ANY PERSON, CORPORATION OR OTHER FIRM RECEIVING IT IS DEEMED, BY RECEIVING IT, TO AGREE THAT IT, AND ANY PART OF IT, SHALL NOT BE DISCLOSED TO ANY PERSON, CORPORATION OR OTHER ENTITY, DUPLICATED, AND/OR USED, EXCEPT AS EXPRESSLY APPROVED IN WRITING IN ADVANCE BY OWNER. THIS DOCUMENT SHALL BE RETURNED TO OWNER UPON REQUEST. IT MAY BE SUBJECT TO CERTAIN RESTRICTIONS UNDER APPLICABLE EXPORT CONTROL LAWS AND REGULATIONS.			REFERENCE	MATERIAL	PROCESS/FINISH BLACK	
THIRD ANGLE PROJECTION			SIZE D	DRAWING NUMBER 702111684	SHEET 1 OF 1	