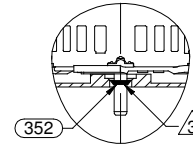


NOTES:

1. PACK 1 PER CONTAINER, 36 MAX PER PALLET, PACKING ASSY: 87854866, 12 CONTAINERS PER LAYER, 3 LAYERS PER PALLET, P.S. 88834200 AND P.S. 88834408
2. EVERY 20TH BLOWER, ASSEMBLE RUBBER COUPLING END OF TEST FIXTURE 33-222-001 SECURELY TO BLOWER EXHAUST. WITH TEST FIXTURE ON EXHAUST AND INLET RESTRICTED TO 1.25", TAP PORT IN TEST FIXTURE MUST READ BETWEEN +1.50" AND +2.25". NOTE- ALL READINGS ABOVE ARE CORRECTED TO STANDARD AIR (.075 LB/FT³)
3. ASSEMBLE SLINGER AFTER MOTOR HAS BEEN ASSEMBLED, .788/.688 FROM END OF SHAFT.
4. INSPECTION TEST FIXTURE IS REQUIRED.
5. ALL UNITS TO BE 100% TESTED ON AUTOMATIC TEST FIXTURES PER TEST LIMITS ESTABLISHED IN THE TESTER DATABASE.
6. CARTON LABELS MUST ALL FACE ONE DIRECTION TOWARD THE OPEN END OF THE PALLET. SEE P.S. 8883 4408.
7. NO PACKAGING TAPE OVER CARTON LABEL.

SECTION A-A

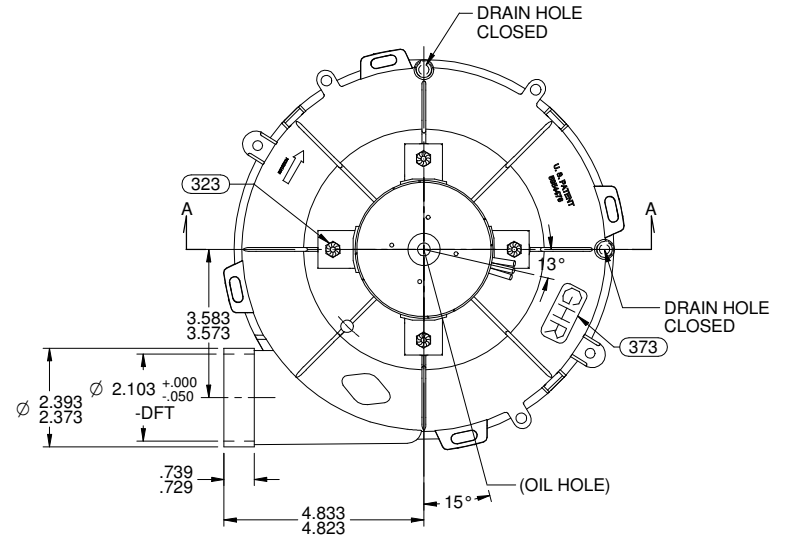
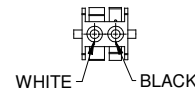
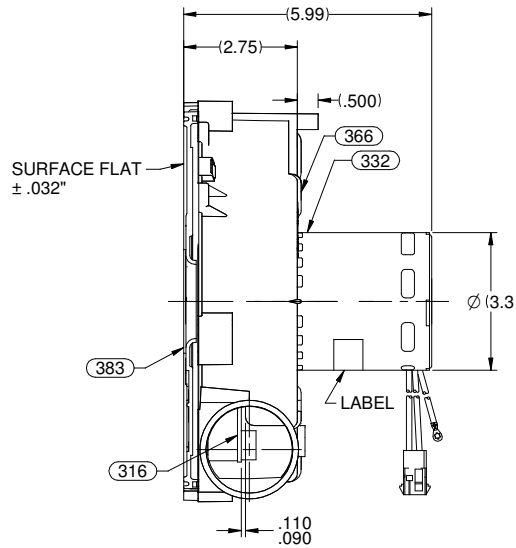
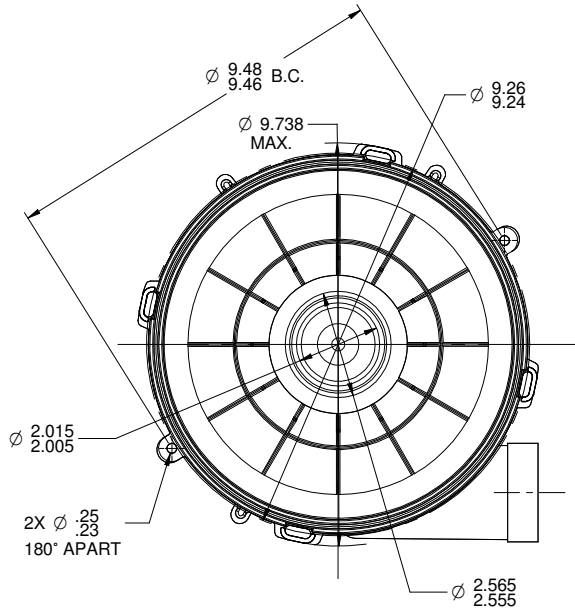


APPLICATION	90 + FURNACE									
	B	LA	FR	A	S	C	E	B	A	
	PS	21	47	F	06	CK	5	0	0	
CUSTOMER	FASCO DIST.									
CUSTOMER PART NO.	A203									

THERMALLY PROTECTED
CLASS "B" INSULATION
SEALED BALL BEARING
416 S.S. SHAFT

LEAD MATERIAL
18 GA. 125°C 4/64 INSUL.
EPDM. (1) WHITE
AND (1) BLACK
8.00/6.00 IN. LONG
W/SOCKET TERMS 89036006
AMP 350537-1
W/TERM HSG 89039146
AMP 1-480699-0

GROUND LEAD
18GA. 125°C 2/64 INSUL.
X-LINKED POLY. GRN/YEL
19.00/17.00 IN. LONG
W/RING TERM 89039177
AMP 40660



TYPICAL PERFORMANCE TEST DATA
WITH A 1.25" INLET RESTRICTION
AT 115 VOLTS 60 HZ.

UNLESS OTHERWISE SPECIFIED DIMENSIONS ARE
IN INCHES TOLERANCES ARE:
FRACTIONS DECIMALS ANGLES
± 1/16 .005 ± .01 ± 1°
XXX ± .005

ECO. NO.	REV.	DATE	APPROVAL	R.P.M.	WATTS	AMPS
4000938	04	01/27/11	MLM/KSA	3220	132	1.9
4002709	05	07/21/2011	SDM/PLA			
4007109	06	10/23/2012	SDM/PLA			
0059597	07	10/30/2014	PLA/BGP			

APPROVALS	DATE
DRAWN VLL	8/03/2004
CHECKED ATM	8/03/2004
END PLAY XX/XX	
FINISH COLOR	BLOWER - NATURAL MOTOR - GRAY

APPROVALS		DATE
DRAWN VLL		8/03/2004
CHECKED ATM		8/03/2004
FINISH COLOR		BLOWER - NATURAL MOTOR - GRAY

FASCO FASCO MOTORS GROUP AC MOTOR/BLOWER DIVISION	
CONFIDENTIAL: DO NOT DUPLICATE OR DISCLOSE TO THIRD PARTIES WITHOUT WRITTEN PERMISSION OF FASCO MOTORS GROUP, AC MOTOR/BLOWER DIVISION.	
TITLE BLOWER ASSEMBLY	
SIZE B	DWG. NO. 7021 11685
DO NOT SCALE DRAWING	
SHEET 1 OF 1	REV. 07