

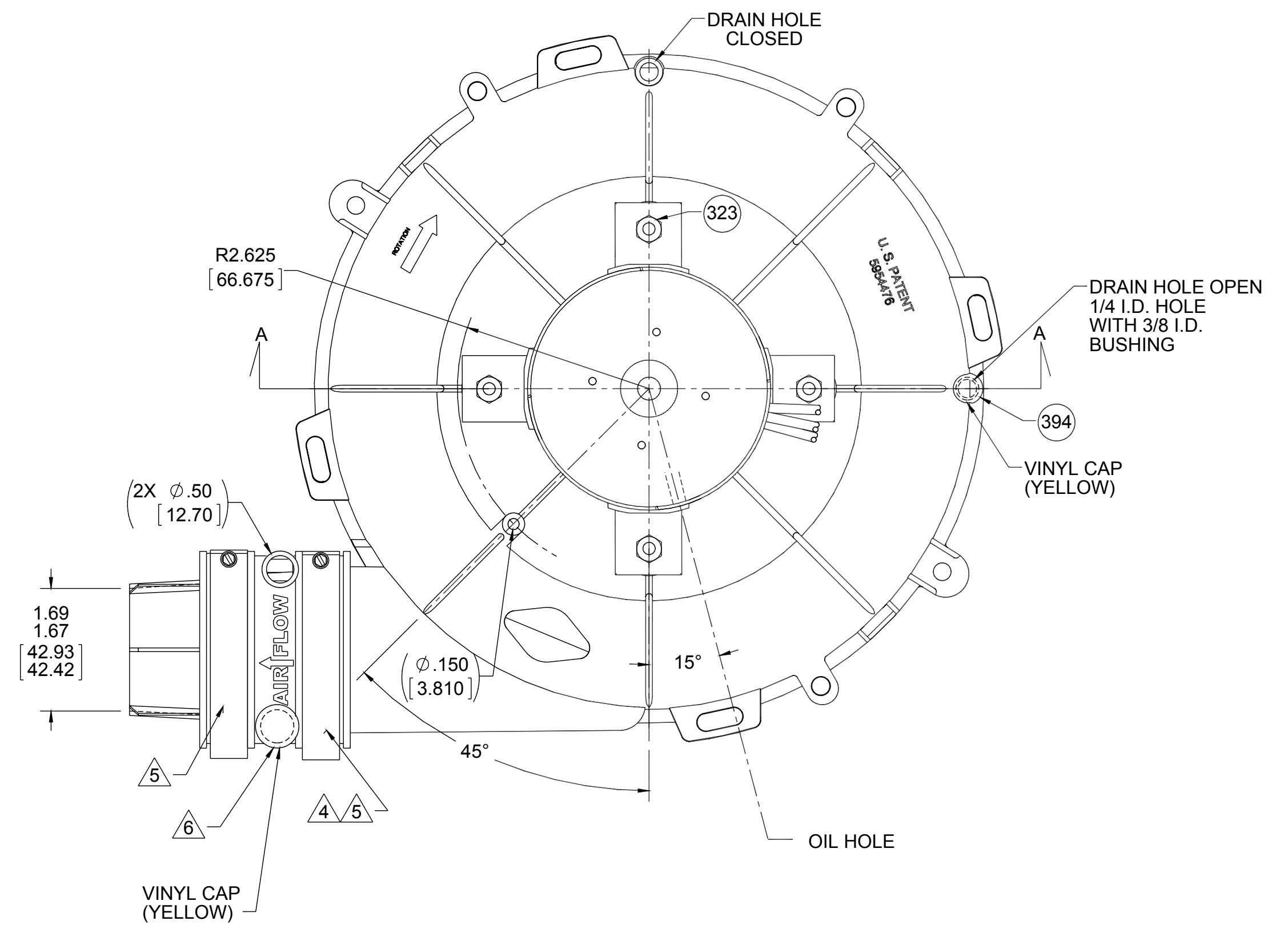
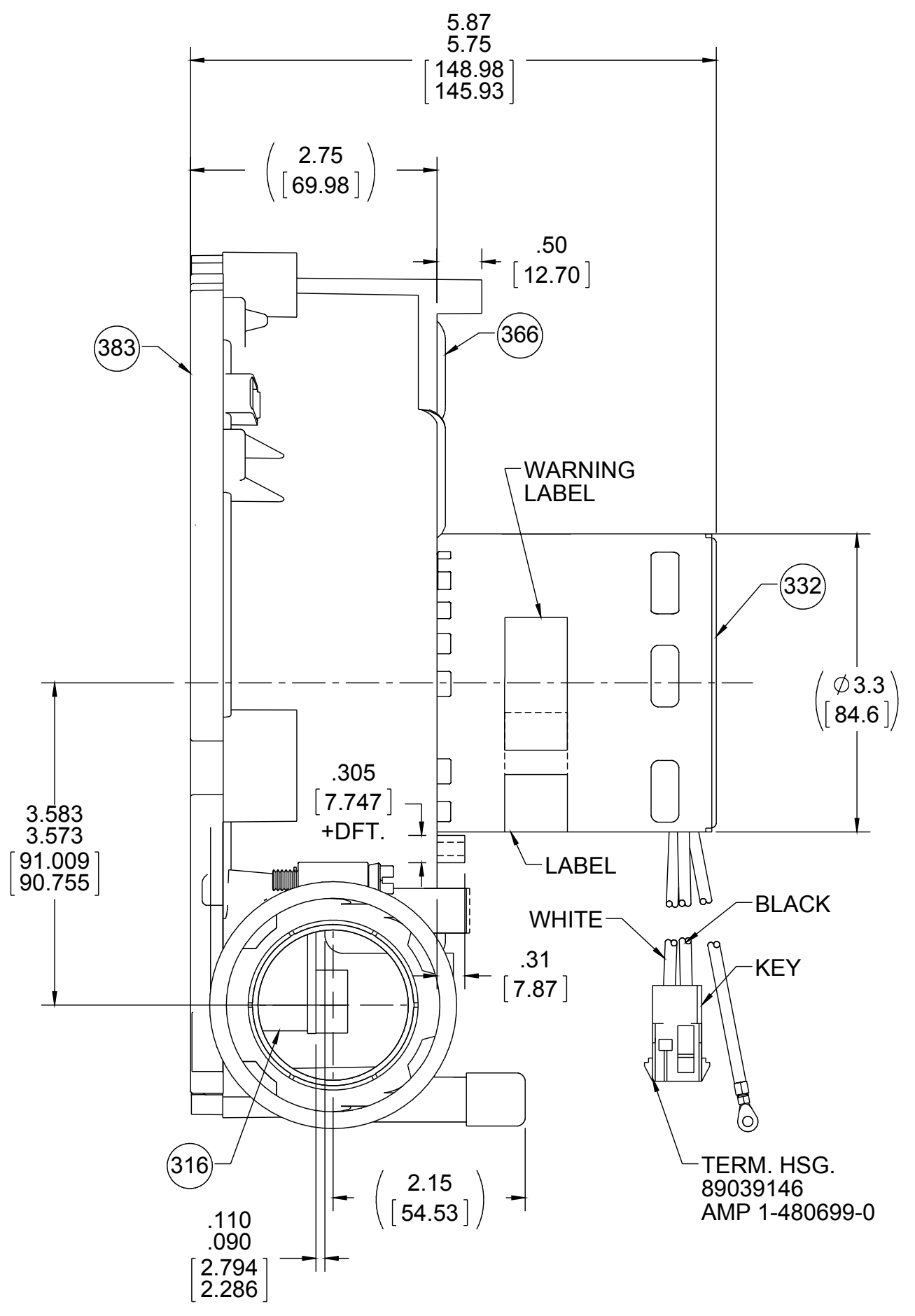
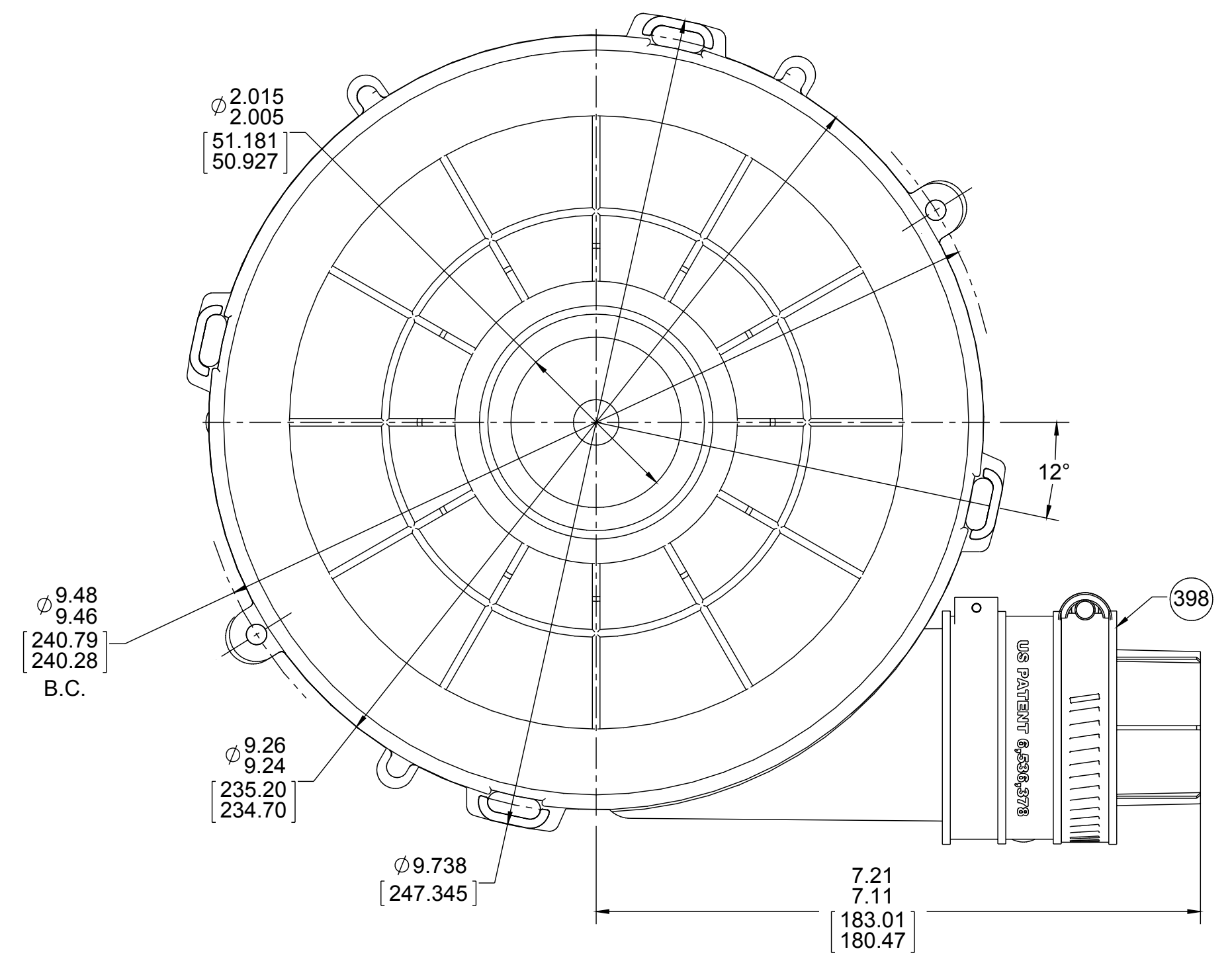
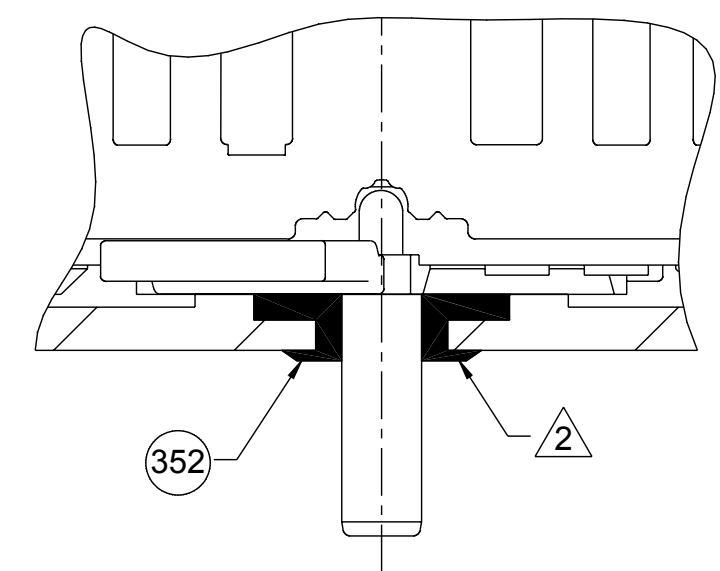
- NOTES:
1. STATIC TAP READING IS -1.95" MINIMUM CORRECTED TO STANDARD AIR (0.075 LB/FT<sup>3</sup>) USING A 1.25" INLET RESTRICTOR.
  2. ASSEMBLE PC 352 SEAL BEFORE MOTOR HAS BEEN ASSEMBLED.
  3. ALL UNITS TO BE CHECKED 100% FOR VIBRATION, TAP VACUUM, AND LEAKAGE.
  4. TIGHTEN HOSE CLAMP THAT SECURES THE EXHAUST ADAPTER TO THE HOUSING TO 18-22 IN. LBS.
  5. SCREW HEAD OF CLAMP MUST BE ACCESSIBLE FROM MOTOR SIDE OF HOUSING AS SHOWN.
  6. THIS DRAIN PORT IS TO BE PLUGGED AND FREE OF LEAKS.
  7. INSPECTION TEST FIXTURE IS REQUIRED.
  8. PACK 1 PER CONTAINER, 27 MAX. PER PALLET, PACKING ASSY: 87855112, 9 CONTAINERS PER LAYER, 3 LAYERS PER PALLET, PER 88834200 AND 88834408.
  9. ALL UNITS TO BE 100% TESTED ON AUTOMATIC TEST FIXTURES PER TEST LIMITS ESTABLISHED IN THE TESTER DATABASE.
  10. CARTON LABELS MUST ALL FACE ONE DIRECTION TOWARD THE OPEN END OF THE PALLET. SEE 88834408.
  11. NO PACKING TAPE OVER CARTON LABEL.
  12. BLOWER: BLACK, MOTOR: FLAT BLACK.

THERMALLY PROTECTED  
CLASS "B" INSULATION  
SEALED BALL BEARING  
416 SS SHAFT

|              |                  |    |    |    |   |    |    |   |   |   |
|--------------|------------------|----|----|----|---|----|----|---|---|---|
| APPLICATION: | 90 + GAS FURNACE | B  | LA | FR | A | S  | C  | E | B | A |
| CUSTOMER:    | FASCO DIST       | PS | 21 | 47 | F | 06 | CK | 5 | 0 | 0 |
| CUSTOMER PN: | A202             |    |    |    |   |    |    |   |   |   |

LEAD MATERIAL  
18 GA. 125°C, 2/64 INSUL.  
X-LINKED POLY.  
(1) WHITE, (1) BLACK  
8.00/6.00 [203.20/152.40]  
SOCKET TERM. 89039084  
AMP 350536-1  
GROUND LEAD MATERIAL  
(1) GRN/YEL  
16.00/14.00 [406.40/355.60]  
RING TERM. 89039009  
AMP 40955

SECTION "A" - "A"  
1:1.3



SCALE 2:3

| TYPICAL PERFORMANCE TEST DATA<br>WITH 1.25" INLET RESTRICTOR<br>AT 115 VOLTS 60 Hz |           |       |                    |
|--|-----------|-------|--------------------|
|  | RPM       | WATTS | AMPS               |
|  | 3345      | 130   | 1.95               |
| BLOWER WEIGHT  | 5.75 LBS. |       | ENDPLAY<br>.XX/.XX |

|                        |                    |                   |   |                    |                             |                               |                            |                                   |
|------------------------|--------------------|-------------------|---|--------------------|-----------------------------|-------------------------------|----------------------------|-----------------------------------|
| DRAWING REVISION<br>R  | REVISION BY<br>PLA | DATE<br>11/4/2015 | TOLERANCES UNLESS OTHERWISE SPECIFIED:<br>DEC. INCH. mm ANGLE<br>.X ±0.1 [-1.25] ±0.5<br>.XX ±0.01 [-0.25]<br>XXX ±0.005 [-0.127]<br>XXXX ±0.0005 [-0.0127] | DRAWN BY<br>MLS    | DATE<br>2/24/2015           | APPROVED BY<br>SDM            | DATE<br>2/24/2015          | REGAL™ Regal Beloit America, Inc. |
| ECO-0088386            | APPROVED BY<br>SDM | DATE<br>11/4/2015 | REMOVED 2D DATA MATRIX LABEL & NOTES  | APPROVED BY<br>SDM | DATE<br>2/24/2015           | DATE<br>2/24/2015             | DESCRIPTION<br>BLOWER ASSY |                                   |
| THIRD ANGLE PROJECTION |                    |                   |   | SIZE<br>D          | DRAWING NUMBER<br>702111686 | PROCESS/FINISH<br>SEE NOTE 12 | SHEET<br>1 OF 1            |                                   |