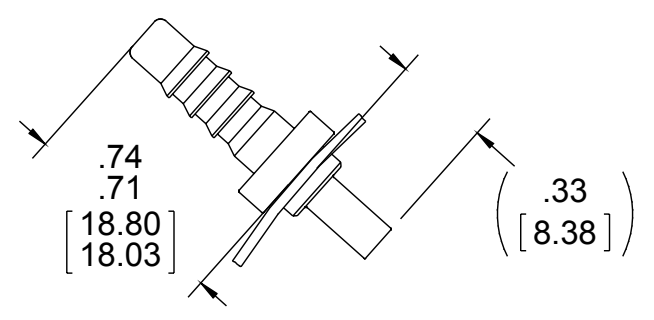


THERMALLY PROTECTED
CLASS "B" INSULATION
SEALED BALL BEARING
416 SS SHAFT

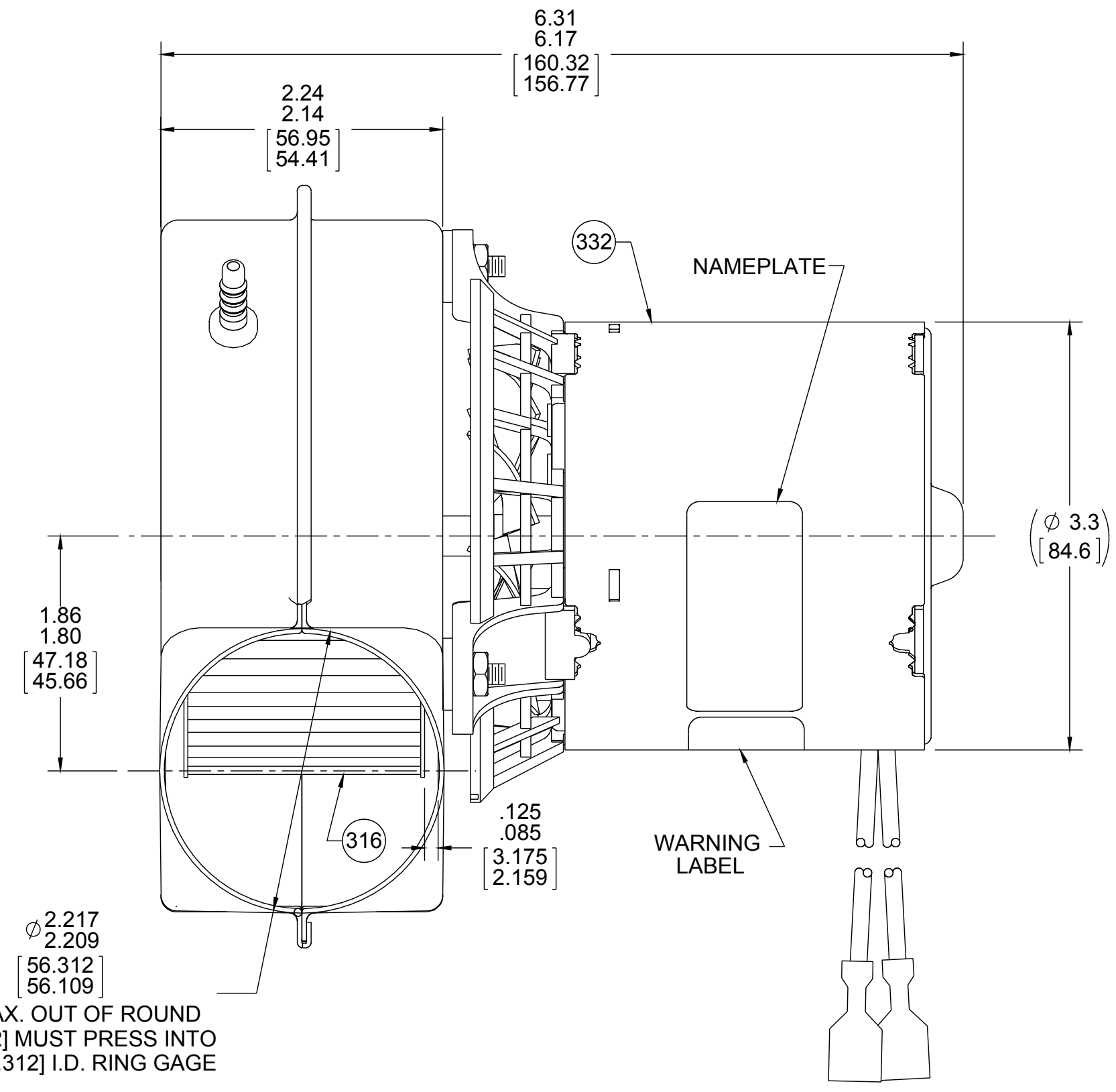
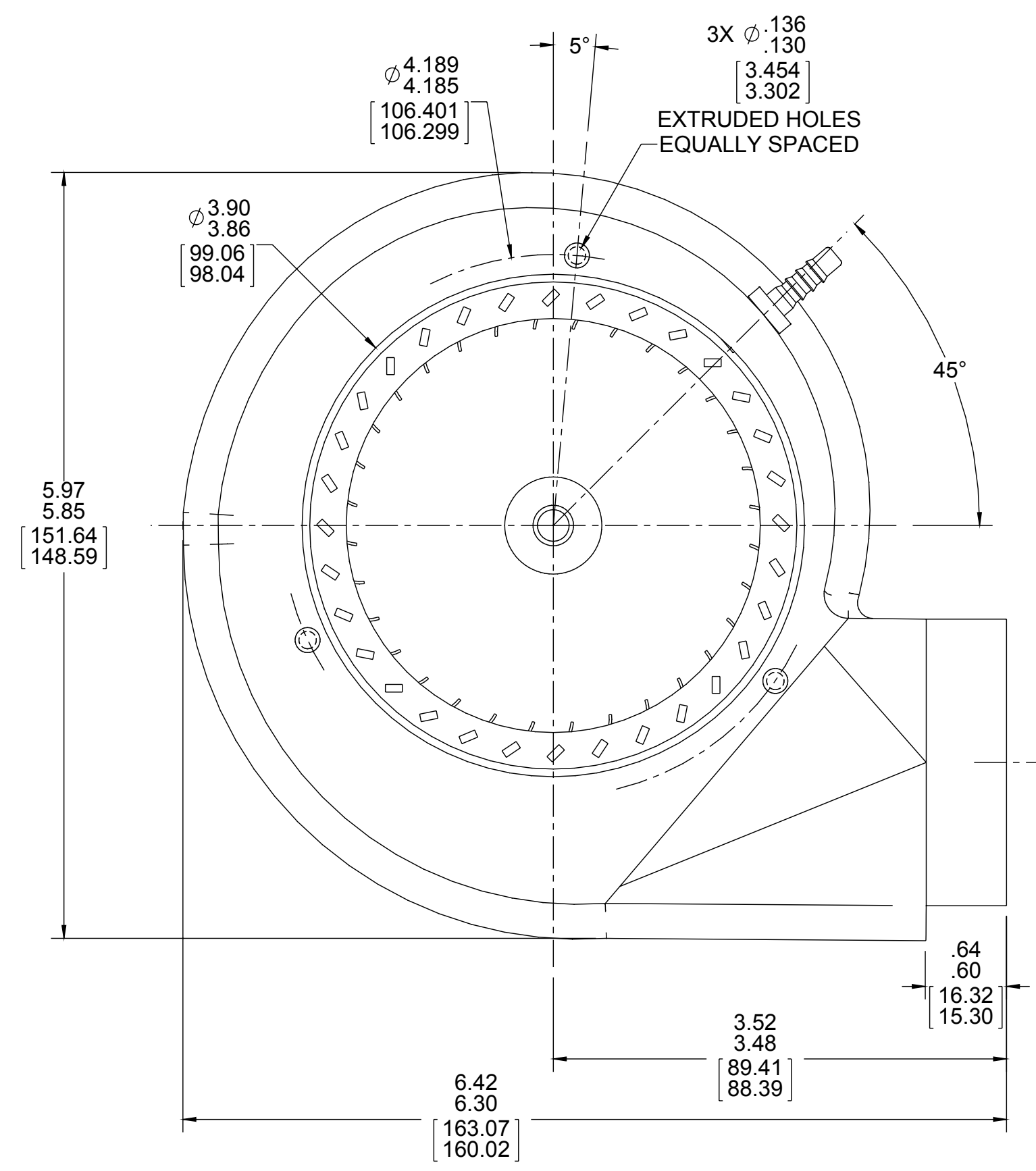
APPLICATION:	DIST.	B	LA	FR	A	S	C	E	B	A
CUSTOMER:	FASCO DIST.	GO	21	47	V	02	GP	5	0	0
CUSTOMER PN:	A201									

- NOTES:
1. STATIC TAP TO BE TIGHT AND SECURELY FASTENED.
 2. INSPECTION TEST FIXTURING IS REQUIRED.
 3. STATIC TAP READING IS TO BE .80 MINIMUM CORRECTED TO STANDARD AIR (0.075 LB/FT³) WITH A 2.06" DIA. INLET RESTRICTOR.
 4. PACK 1 PER CONTAINER, 4 LAYERS PER PALLET, 30 CONTAINERS PER LAYER, 120 MAX. PER PALLET, PACKING ASSY.: 87854000, PER 88834200 AND 88834408.
 5. PLACE FILLER PAD ON MOTOR END.
 6. CARTON LABELS MUST ALL FACE ONE DIRECTION TOWARD THE OPEN END OF THE PALLET. SEE 88834408.
 7. NO PACKAGING TAPE OVER CARTON LABEL.
 8. BLOWER - ALUMINIZED STEEL, MOTOR - BLACK

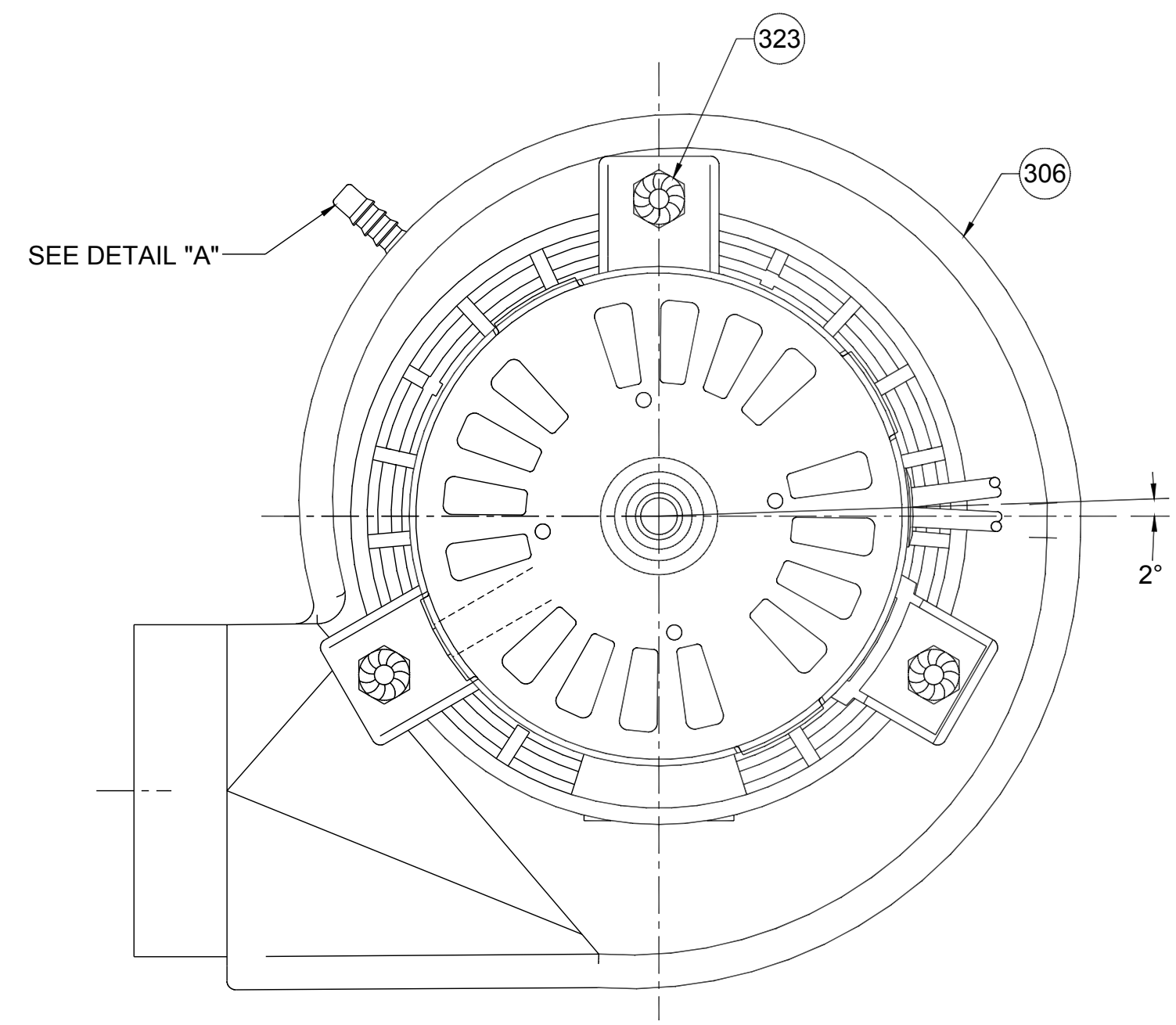
LEAD MATERIAL
18 GA. 125°C 2/64 INSUL.
X-LINKED POLY. (2) BLACK
25.00/23.00 [635.00/584.20]
FSPADE TERM. 89034011
AMP 2-520183-2



DETAIL "A"



O.D. MAX. OUT OF ROUND
.030 [.762] MUST PRESS INTO
2.217 [56.312] I.D. RING GAGE



TYPICAL PERFORMANCE TEST DATA
WITH Ø 2 1/16" INLET RESTRICTOR

AT 208-230 VOLTS 60 Hz

VOLTS	RPM	WATTS	AMPS
230 V	3304	76	.54
208 V	3273	61	.47

BLOWER WEIGHT
3 1/2 LBS.

ENDPLAY
.XX/.XX

DRAWING REVISION G	REVISION BY PLA	DATE 11/4/2015	TOLERANCES UNLESS OTHERWISE SPECIFIED: DEC. INCH. mm ANGLE .X ±0.1 [-2.5] ° .XX ±0.01 [-0.25] .XXX ±0.005 [-0.127] XXXX ±0.0005 [-0.0127]	DRAWN BY PLA	DATE 8/31/2015	REGAL™ Regal Beloit America, Inc.
ECO-0088386	APPROVED BY SDM	DATE 11/4/2015	REMOVE BURRS & BREAK SHARP EDGES: .003/.015 [076/381] X 45° CORNER FILLETS: R.02 [51] MACHINED SURFACES: 125/32/ INCH / mm mm SHOWN IN [BRACKETS]	APPROVED BY KSA	DATE 8/31/2015	BLOWER ASSY
<small>PROPRIETARY AND CONFIDENTIAL INFORMATION - THIS DOCUMENT IS THE PROPERTY OF REGAL BELOIT AMERICA, INC. OWNERSHIP AND CONTENTS OWNERS PROPRIETARY INFORMATION. ANY PERSON, CORPORATION OR OTHER FIRM RECEIVING IT IS DEEMED TO HAVE AGREED TO ACCEPT THAT IT, AND/OR ANY PART OF IT, SHALL NOT BE DISCLOSED TO ANY PERSON, CORPORATION OR OTHER ENTITY, DUPLICATED, AND/OR USED, EXCEPT AS EXPRESSLY APPROVED IN WRITING IN ADVANCE BY OWNER. THIS DOCUMENT SHALL BE RETURNED TO OWNER UPON REQUEST. IT MAY BE SUBJECT TO CERTAIN RESTRICTIONS UNDER APPLICABLE EXPORT CONTROL LAWS AND REGULATIONS.</small>			THIRD ANGLE PROJECTION	SIZE D	DRAWING NUMBER 702111687	PROCESS/FINISH SEE NOTE 8
						SHEET 1 OF 1