

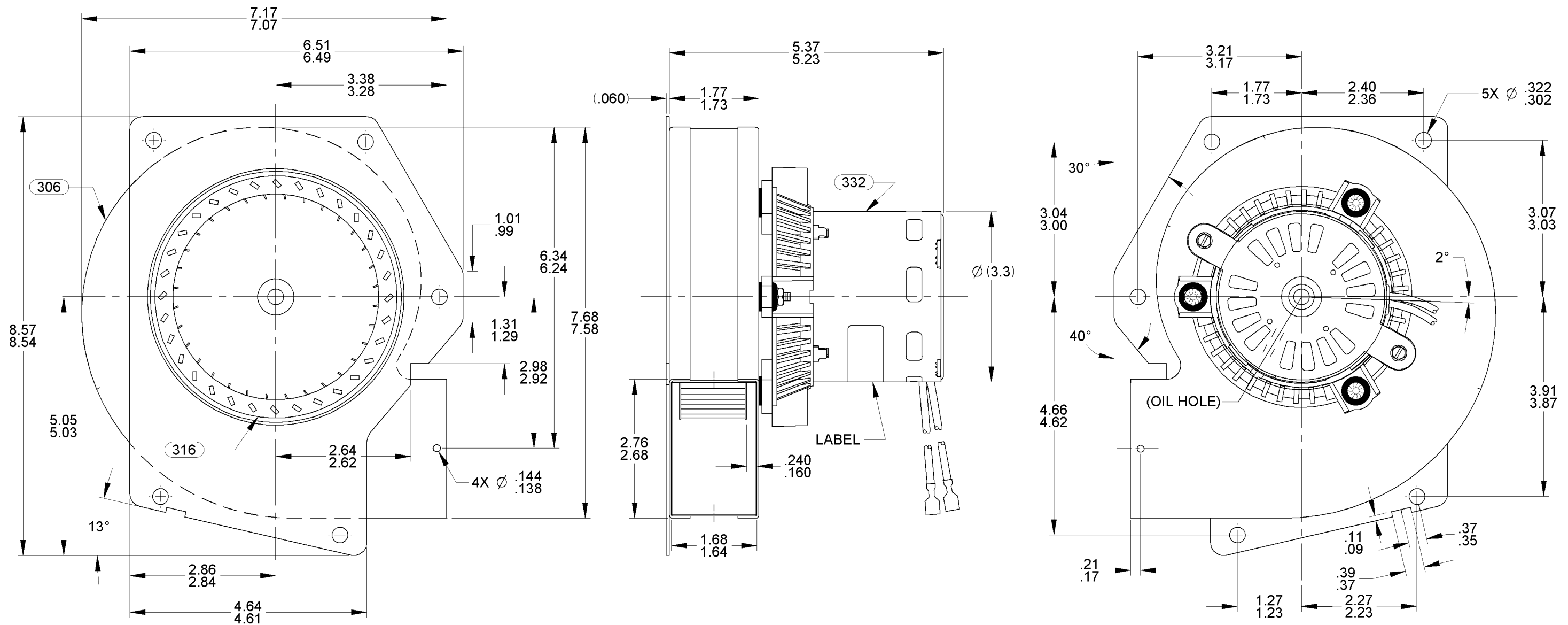
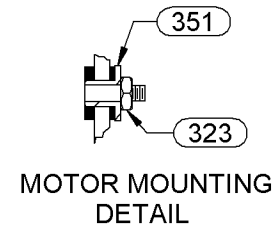
NOTES:

1. PACK 1 PER CONTAINER , 16 CONTAINERS PER LAYER, 5 LAYERS PER PALLET, 80 MAX. AMOUNT PER PALLET, PACKING ASSY. ; 87854335 , PER P.S. 88834200 AND P.S. 88834408.
2. CARTON LABELS MUST ALL FACE ONE DIRECTION TOWARD THE OPEN END OF THE PALLET. SEE P.S. 88834408.
3. NO PACKING TAPE OVER CARTON LABEL.

APPLICATION	DISTRIBUTION								
	B	LA	FR	A	S	C	E	B	A
	12	21	33	V	02	EJ	5	0	0
CUSTOMER	FASCO DIST.								
CUSTOMER PART NO.	A192								

THERMALLY PROTECTED  
CLASS "B" INSULATION  
SEALED BALL BEARING  
416 S.S. SHAFT

LEAD MATERIAL  
18 GA. 125° C , 4/64 INSUL.  
EPDM , (2) BLACK  
17.00/15.00 IN. LONG  
FSPADE TERM. 89034025  
AMP 2-520263-2



TYPICAL PERFORMANCE TEST DATA  
WITH A 1 5/16 INLET RESTRICTOR

AT 115 VOLTS 60 HZ.

ECO. NO.	REV.	DATE	APPROVAL	R.P.M.	WATTS	AMPS
4001313	05	03/03/11	MLM/PLA	3140	70	.94
4009671	06	7/8/2013	MLS/SED			

BLOWER WEIGHT  
5.0 LBS.

END PLAY  
.XX/XX

UNLESS OTHERWISE SPECIFIED DIMENSIONS ARE  
IN INCHES TOLERANCES ARE:  
FRACTIONS ± 1/16 DECIMALS XX ± .01 ANGLES ± 1°  
XXX ± .005

APPROVALS	DATE
DRAWN SRM	09/20/2004
CHECKED ATM	09/20/2004
FINISH COLOR	FLAT BLACK

**FASCO** FASCO MOTORS GROUP  
AC MOTOR/BLOWER DIVISION

CONFIDENTIAL: DO NOT DUPLICATE OR DISCLOSE TO THIRD PARTIES WITHOUT WRITTEN PERMISSION OF FASCO MOTORS GROUP, AC MOTOR/BLOWER DIVISION.

TITLE  
**BLOWER ASSEMBLY**

SIZE **B** DWG. NO. 7021 11727 REV. 06

DO NOT SCALE DRAWING SHEET 1 OF 1