

NOTES:

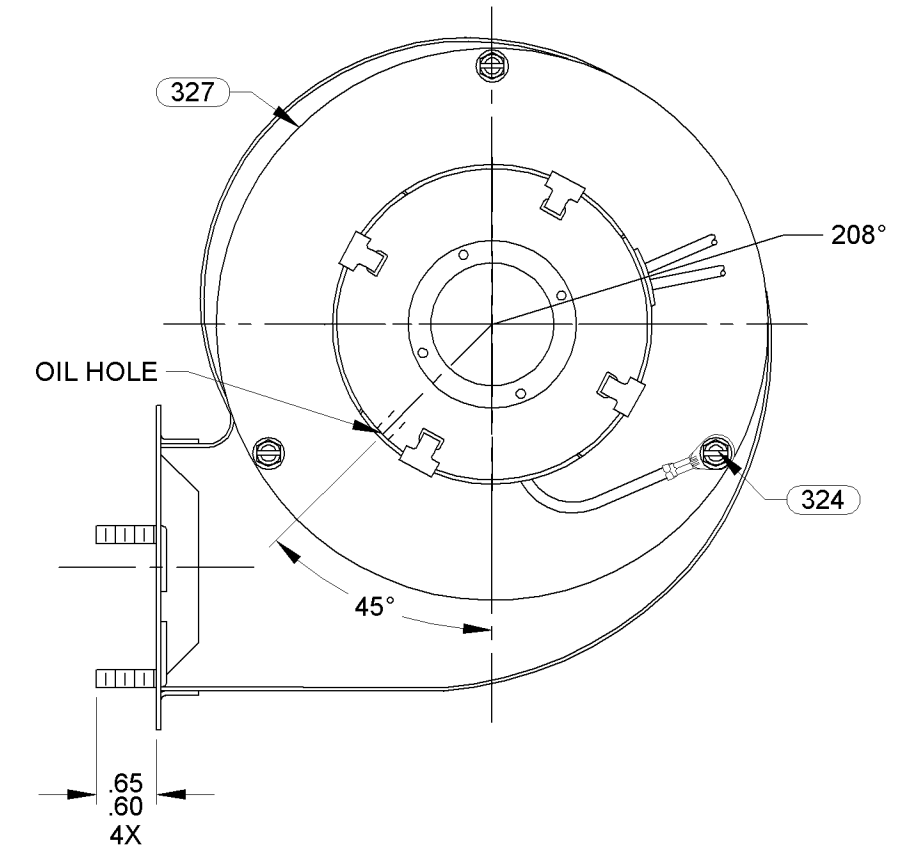
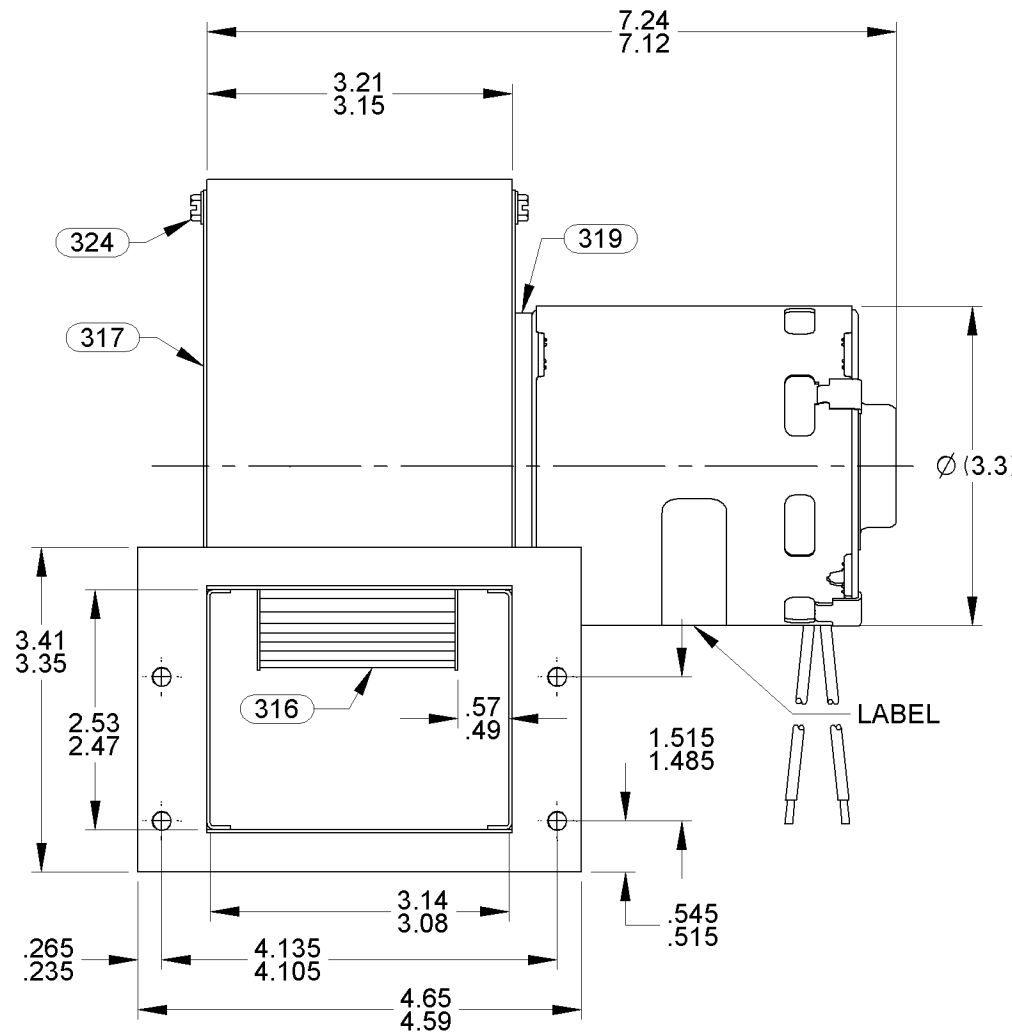
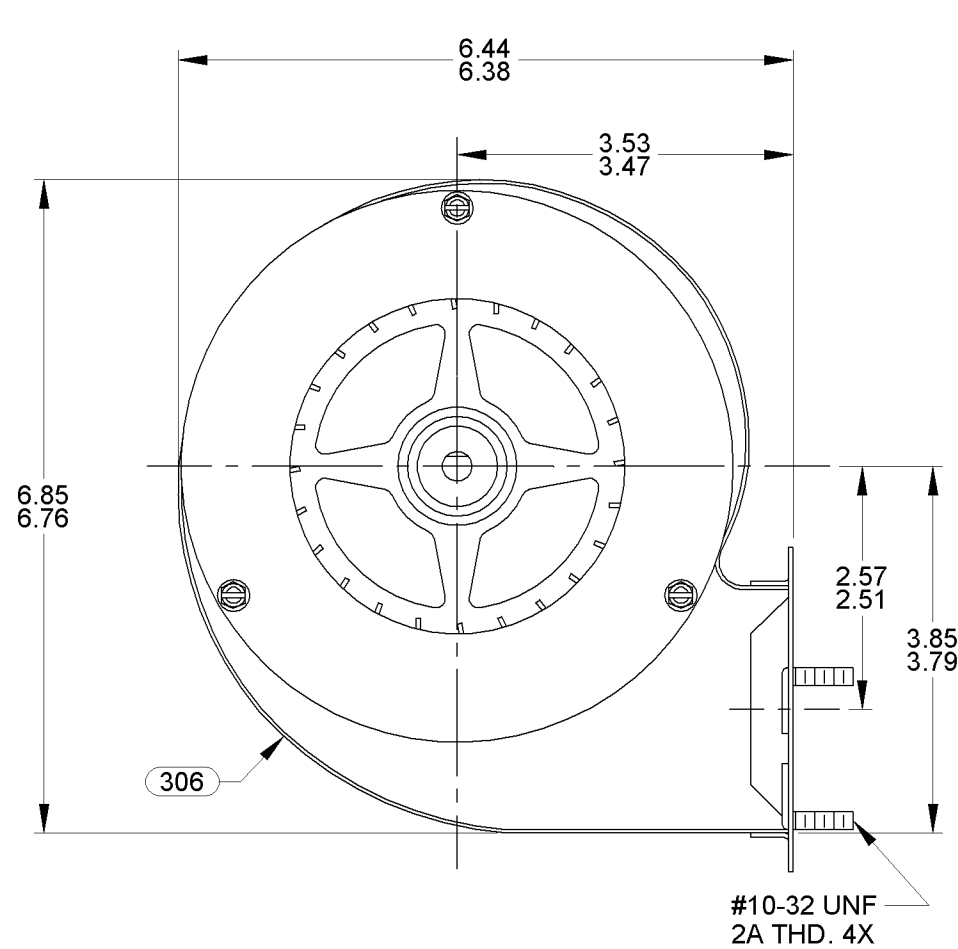
1. ASSEMBLE GROUND LEAD UNDER PC 324 SCREW AS SHOWN.
2. PACK 1 PER CONTAINER , 60 MAX. PER PALLET , PACKING ASSY. : 87854872  
20 CONTAINERS PER LAYER , 3 LAYERS PER PALLET , P.S. 8883-4200 AND  
P.S. 8883-4408.
3. CARTON LABELS MUST ALL FACE ONE DIRECTION TOWARD THE OPEN END  
OF THE PALLET. SEE P.S. 8883-4408.
4. NO PACKAGING TAPE OVER CARTON LABEL.

APPLICATION	DISTRIBUTION								
	B	LA	FR	A	S	C	E	B	A
	70	21	30	V	06	BX	5	4	0
	CUSTOMER FASCO DIST.								
	CUSTOMER PART NO. A191								

THERMALLY PROTECTED  
CLASS "B" INSULATION  
416 S.S. SHAFT

LEAD MATERIAL  
18 GA. 125°C 4/64 INSUL.  
EPDM , (2) BLACK  
79.00/76.00 IN. LONG  
.56/.44 IN. STRIP

GROUND LEAD  
18 GA. 105°C , 2/64 INSUL.  
THERMO. , GRN/YEL  
4.25/3.25 IN. LONG  
W/RING TERM. 8903-0156  
AMP #61794-1



TYPICAL PERFORMANCE TEST DATA IN FREE AIR			
AT	240	VOLTS	60 HZ.
R.P.M.	WATTS	AMPS	
3169	136	.86	
BLOWER WEIGHT		END PLAY	
5.38 LBS.		.050/.010	

UNLESS OTHERWISE SPECIFIED DIMENSIONS ARE IN INCHES TOLERANCES ARE:		
FRACTIONS ± 1/16	DECIMALS XX ± .01 XXX ± .005	ANGLES ± 1°
APPROVALS	DATE	
DRAWN SRM	09/13/2004	
CHECKED ATM	09/13/2004	
FINISH COLOR	BLACK	

**FASCO** FASCO MOTORS GROUP  
AC MOTOR/BLOWER DIVISION

CONFIDENTIAL: DO NOT DUPLICATE OR DISCLOSE TO THIRD PARTIES WITHOUT  
WRITTEN PERMISSION OF FASCO MOTORS GROUP, AC MOTOR/BLOWER DIVISION.

TITLE  
**BLOWER ASSEMBLY**

SIZE <b>B</b>	DWG. NO. 7021 11724	REV. <b>04</b>
------------------	------------------------	-------------------

DO NOT SCALE DRAWING SHEET 1 OF 1