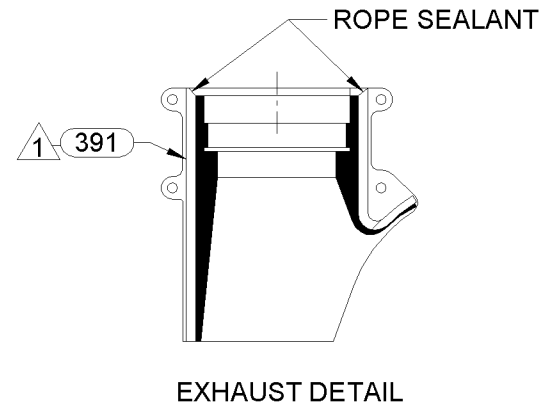


NOTES:

- LAY PC 391 ROPE SEALANT IN CHANNEL PROVIDED IN PC 366 MOUNTING SHELL.
- ASSEMBLE PC 383 INLET SHELL TO PC 366 MOUNTING SHELL ASSEMBLY AND SECURE WITH (9) PC 324 SCREWS. TRIM EXCESS ROPE SEALANT FROM FACE OF BLOWER EXHAUST.
- STATIC TAP MUST BE FLASH FREE.
- USE GO AND NO GO GAUGES 2.412/2.393 FOR CORRECT EXHAUST OPENING.
- PACK 1 PER CONTAINER, 36 MAX. AMT. PER PALLET, PACKING ASSY: 8785-4916, 12 CONTAINERS PER LAYER, 3 LAYERS PER PALLET, P.S. 8883-4200 & 8883-4408.
- CARTON LABELS MUST ALL FACE ONE DIRECTION TOWARD THE OPEN END OF THE PALLET. SEE P.S. 8883 4408.
- NO PACKAGING TAPE OVER CARTON LABEL.

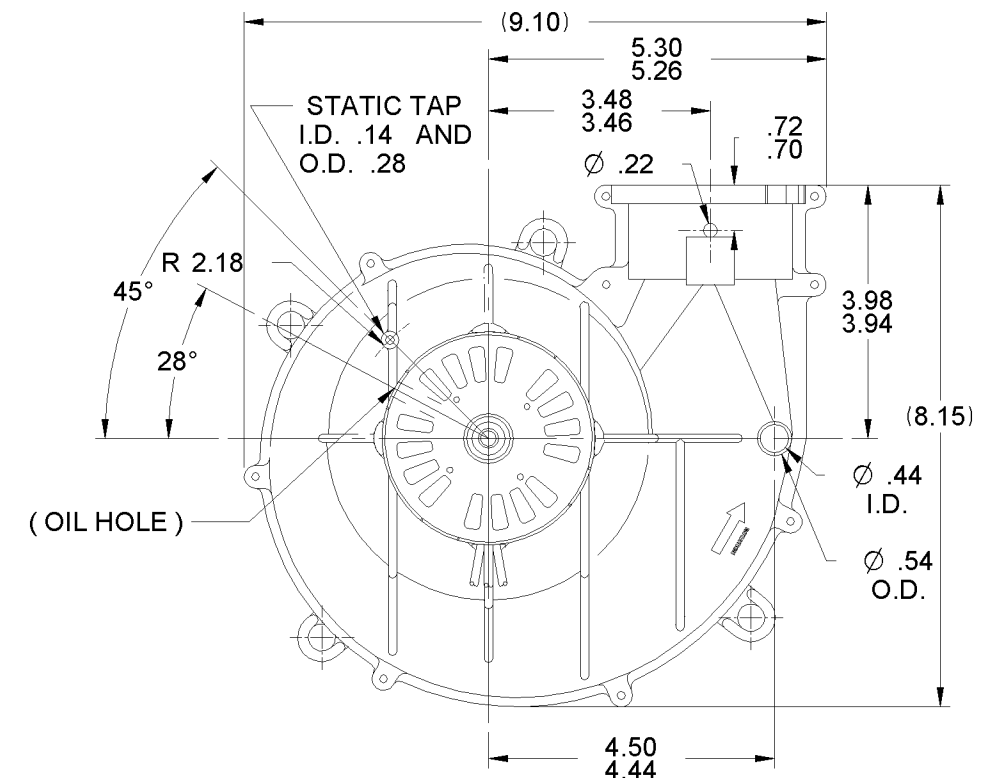
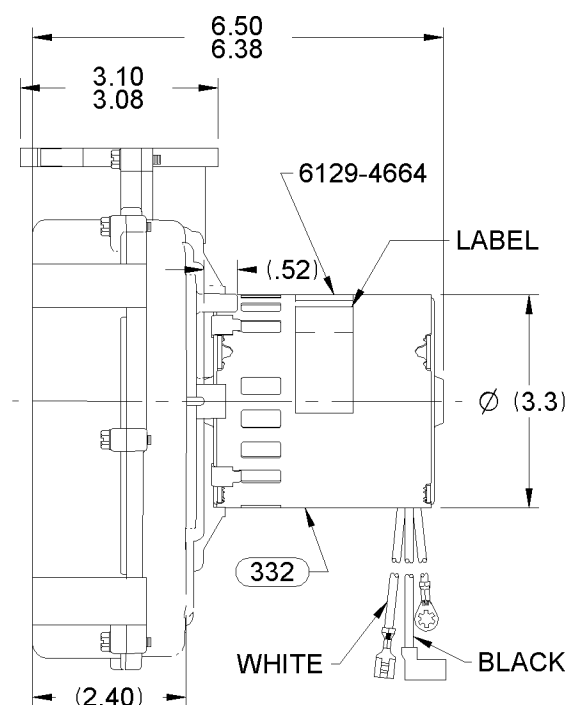
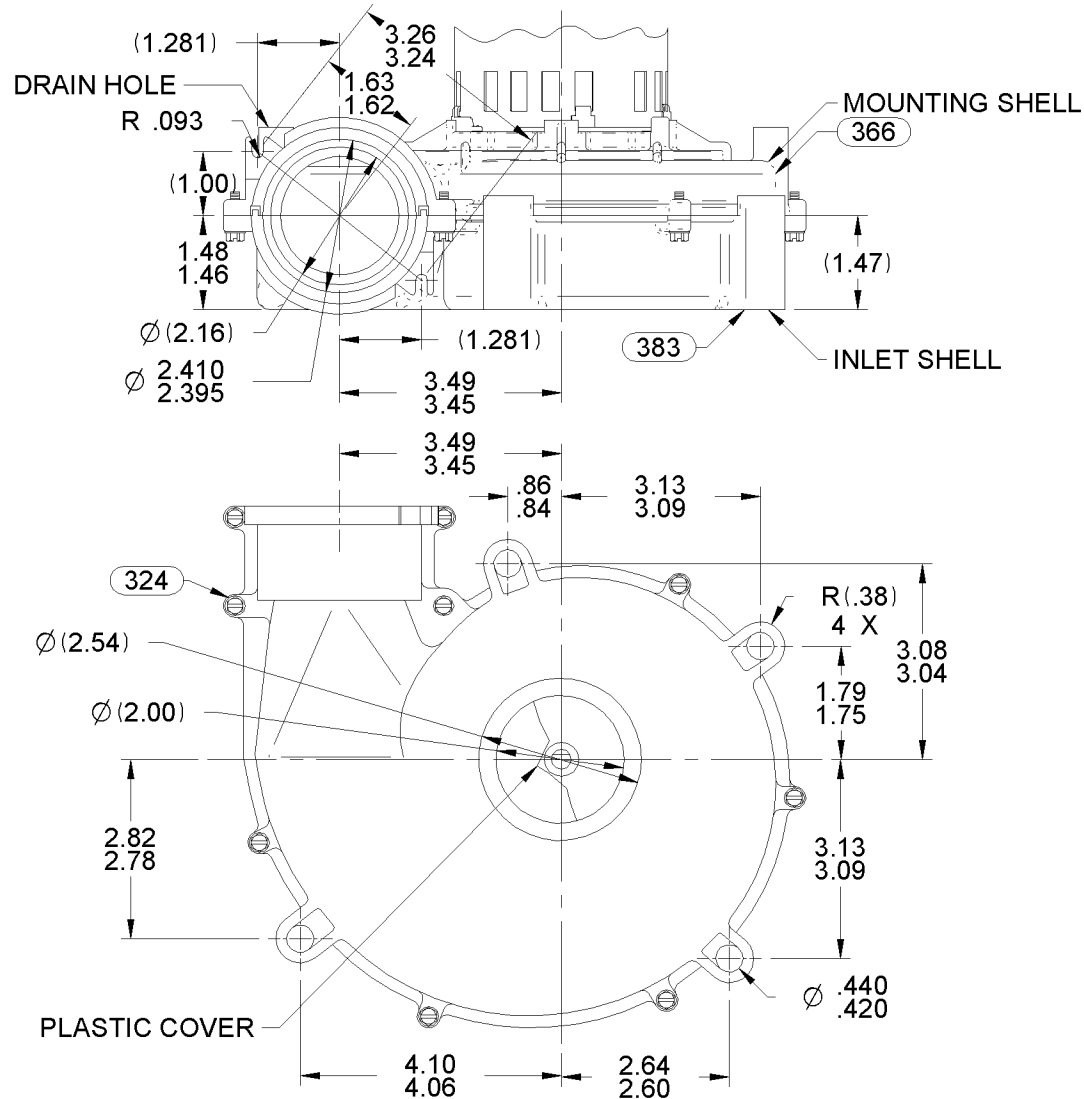


| | | | | | | | | | |
|-------------------|----------------|----|----|---|----|----|---|---|---|
| APPLICATION | FURNACE BLOWER | | | | | | | | |
| | B | LA | FR | A | S | C | E | B | A |
| | PB | 21 | 30 | F | 04 | DJ | 5 | 3 | C |
| CUSTOMER | FASCO DIST. | | | | | | | | |
| CUSTOMER PART NO. | A189 | | | | | | | | |

THERMALLY PROTECTED
CLASS "B" INSULATION
416 S.S. SHAFT

GROUND LEAD MATERIAL
18 GA. 125°C 2/64 INSUL.
X-LINKED POLY. GRN/YEL
19.00/17.00 IN. LONG
RING TERM. 8902-0156
AMP #61794-1

LEAD MATERIAL
18 GA. 125°C 4/64 INSUL.
EPDM.
30.00/28.00 IN. LONG
(1) BLACK
FFLAG TERM. 8903-4048
AMP #2-520334-2
(1) WHITE
FSPADE TERM. 8903-9169
AMP #42692-2



| ECO. NO. | REV. | DATE | APPROVAL |
|----------|------|------------|----------|
| 4001605 | 04 | 4/5/11 | MLM/PLA |
| 4010512 | 05 | 10/17/2013 | BGP/NJP |

| PERFORMANCE TEST DATA | |
|---|-----------------------|
| TEST PERFORMANCE WITH INLET RESTRICTED TO 1 1/4 IN. | |
| TEST COMPLETE BLOWER AT 115 V. 60 HZ. WITH ENTERING AIR AT 70° ± 5° F. | |
| (A) BLOWER RPM TO READ 3012 / 3125 R.P.M. | |
| (B) TOTAL NEGATIVE PRESSURE [INCH W.C.] TO READ 2.05 / 1.85 AT STANDARD AIR. | |
| BLOWER WEIGHT 3 5/8 LBS. | END PLAY .030/.010 |

| UNLESS OTHERWISE SPECIFIED DIMENSIONS ARE IN INCHES TOLERANCES ARE: | | |
|---|-------------|------------|
| FRACTIONS | DECIMALS | ANGLES |
| ± 1/16 | .XX ± .01 | ± 1° |
| | .XXX ± .005 | |
| APPROVALS | | DATE |
| DRAWN | PLA | 11/01/2005 |
| CHECKED | JMH | 11/01/2005 |
| FINISH COLOR FLAT BLACK | | |

| | | | |
|---|------------------------|--|--|
| FASCO | | FASCO MOTORS GROUP AC MOTOR/BLOWER DIVISION | |
| CONFIDENTIAL: DO NOT DUPLICATE OR DISCLOSE TO THIRD PARTIES WITHOUT WRITTEN PERMISSION OF FASCO MOTORS GROUP, AC MOTOR/BLOWER DIVISION. | | | |
| TITLE BLOWER ASSEMBLY | | | |
| SIZE B | DWG. NO. 7021 11900 | REV. 05 | |
| DO NOT SCALE DRAWING | | SHEET 1 OF 2 | |