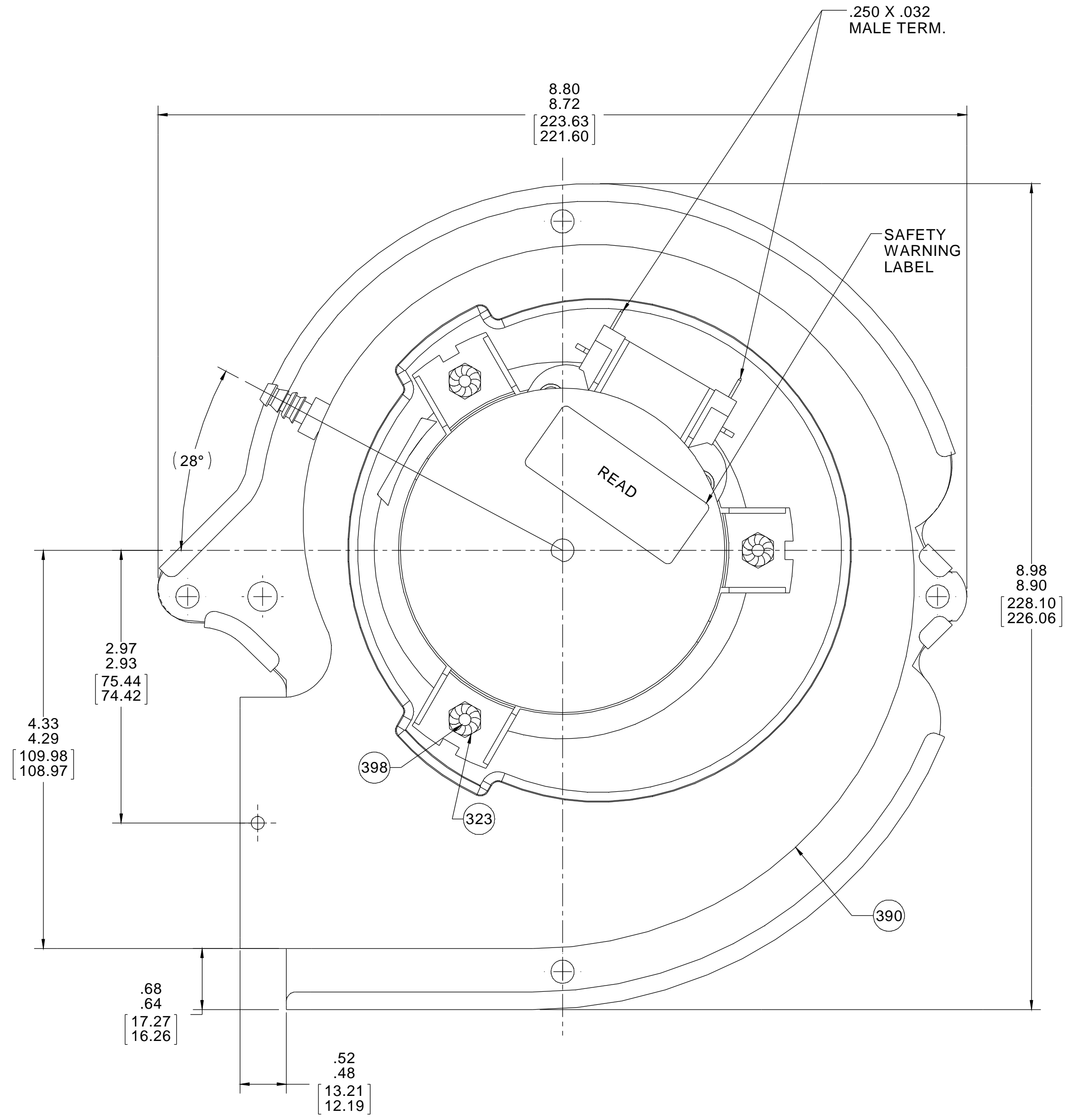
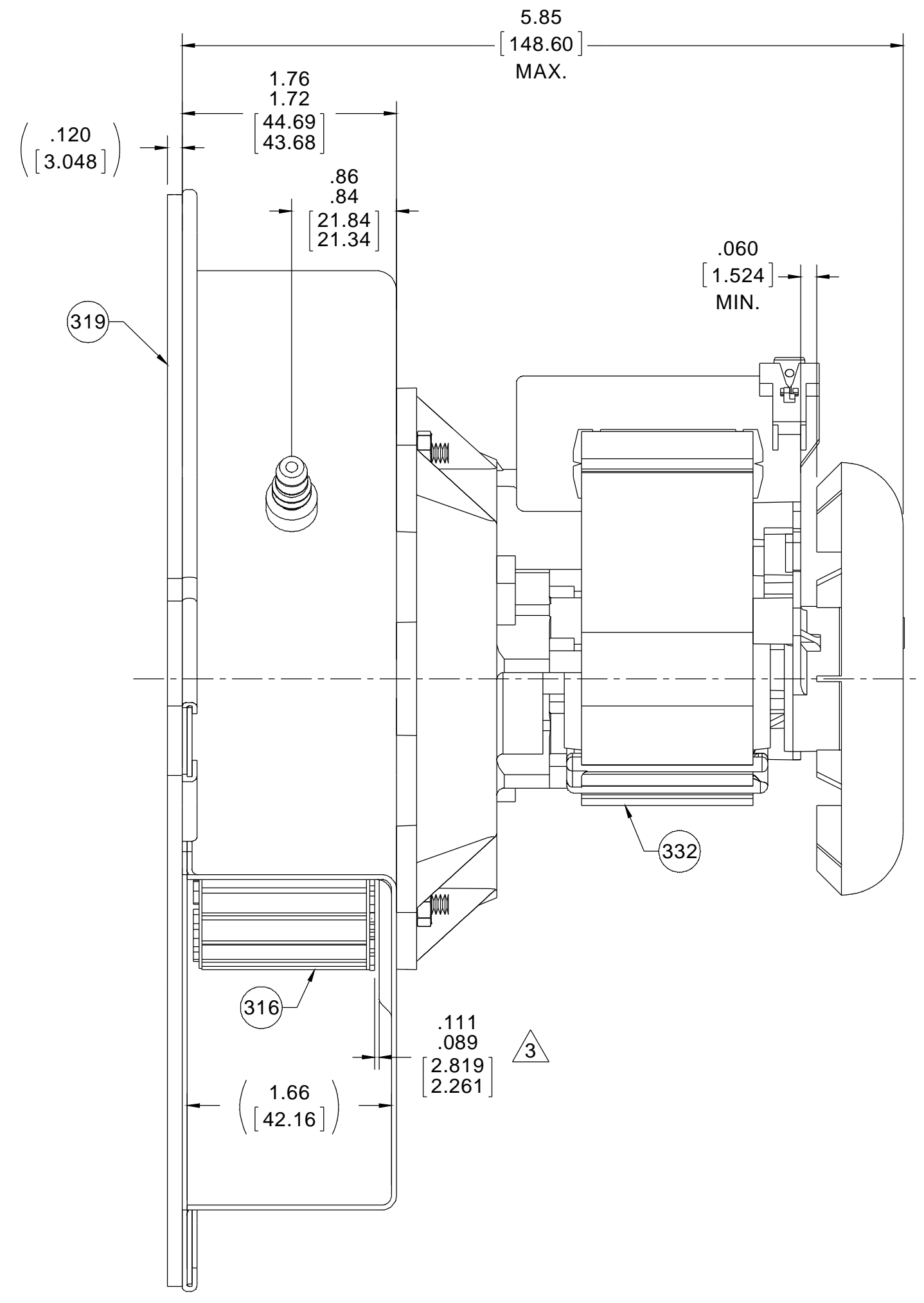
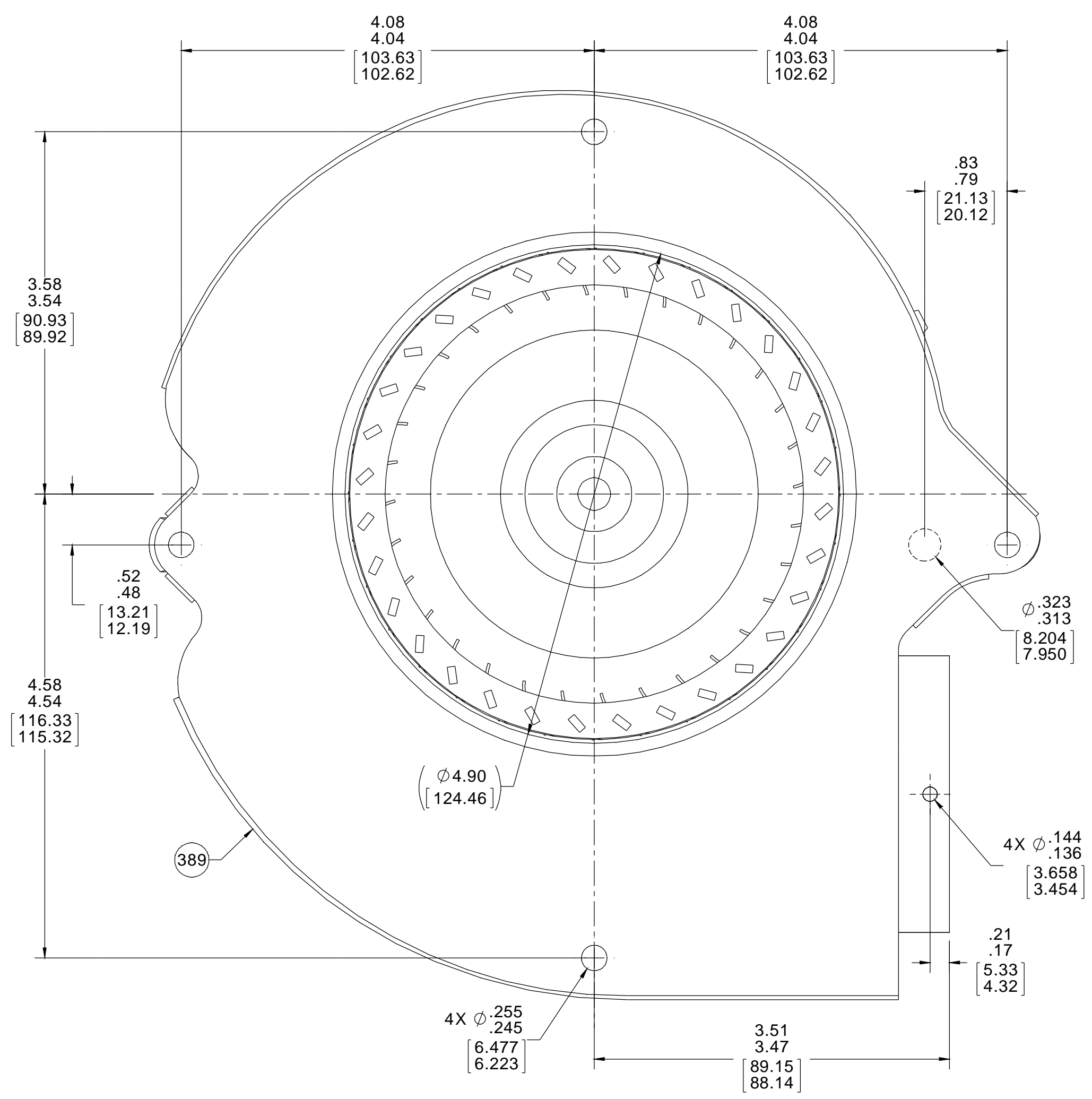
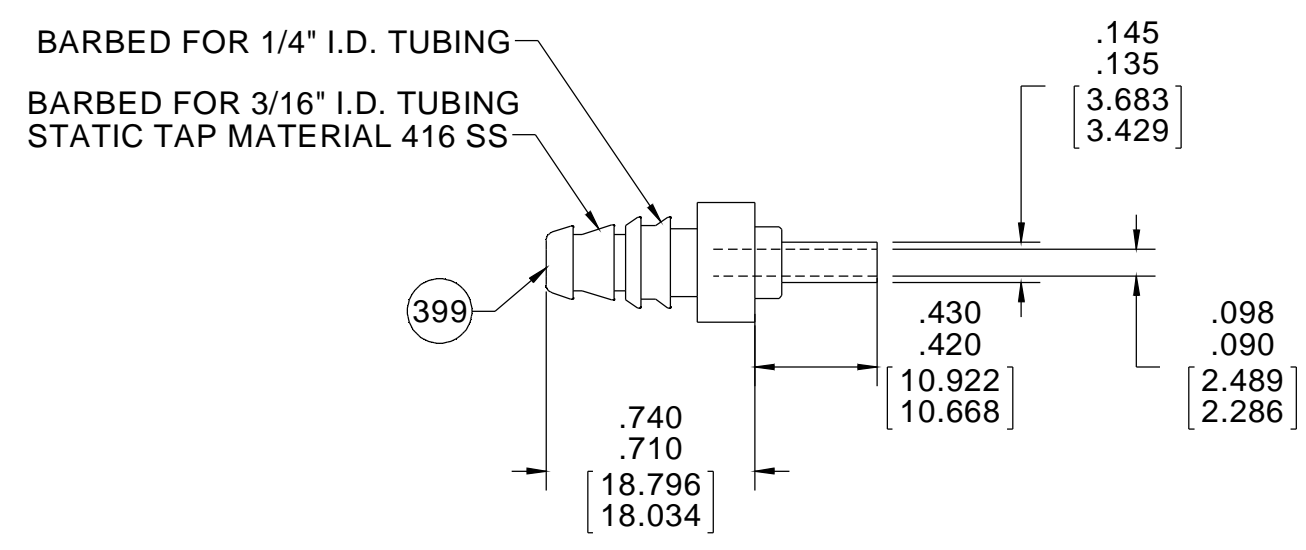


THERMALLY PROTECTED
CLASS "B" INSULATION
SEALED BALL BEARING
416 SS SHAFT

APPLICATION:	DISTRIBUTION	B	LA	FR	A	S	C	E	B	A
CUSTOMER:	FASCO DIST.	GS	58	48	X	18	AA	5	0	0
CUSTOMER PN:	A184									

- NOTES:
- INSPECTION TEST FIXTURING IS REQUIRED.
 - STATIC TAP READING IS TO BE -1.30 MIN. CORRECTED TO STANDARD AIR (0.075 LB/FT³) WITH A 1/16 INLET RESTRICTOR.
 - IMPELLER LOCATION MEASURED FROM THE INSIDE OF MOTOR SHELL ON THE DISHED AREA TO THE BACK PLATE OF IMPELLER.
 - PACK 1 PER CONTAINER, 9 CONTAINERS PER LAYER, 3 LAYERS PER PALLET, 27 MAX. AMOUNT PER PALLET, PACKING ASSY: 87854915, P.S. 88834200 AND 88834408.
 - CARTON LABELS MUST ALL FACE ONE DIRECTION TOWARD OPEN END OF THE PALLET SEE P.S. 88834408.
 - NO PACKAGING TAPE OVER CARTON LABELS.



61305568

SAFETY WARNING
This motor must be grounded in accordance with local or national electrical codes to prevent possible injury due to electrical shock.

AVERTISSEMENT DE SÉCURITÉ
Ce moteur doit être fondé sur conformément à la réglementation locale ou nationale électrique codes pour prévenir d'éventuelles blessures en raison de choc électrique.

TYPICAL PERFORMANCE TEST DATA WITH 1/16 INLET RESTRICTOR AT 115 VOLTS 60 Hz

	RPM	WATTS	AMPS
	3280	74	1.32

BLOWER WEIGHT
5 LBS.

ENDPLAY
.XX/.XX

DRAWING REVISION H	REVISION BY KSA	DATE 4/10/2015	TOLERANCES UNLESS OTHERWISE SPECIFIED: DEC. INCH mm ANGLE .XX ±0.1 [±0.25] .XX ±0.01 [±0.25] XXX ±0.005 [±0.127] XXXX ±0.0005 [±0.0127]	DRAWN BY KSA	DATE 4/10/2015	APPROVED BY RPT	DATE 4/10/2015	DESCRIPTION BLOWER ASSY
ECO DESCRIPTION REMOVE DIM. FORMED AREA & REDRAW TO SW			PROPRIETARY AND CONFIDENTIAL INFORMATION - THIS DOCUMENT IS THE PROPERTY OF REGAL BELOIT AMERICA, INC. (OWNER'S) AND CONTAINS OWNER'S PROPRIETARY INFORMATION. ANY PERSON, CORPORATION OR OTHER FIRM RECEIVING IT IS DEEMED BY RECEIVING IT TO AGREE THAT IT AND/OR ANY PART OF IT SHALL NOT BE DISCLOSED TO ANY PERSON, CORPORATION OR OTHER ENTITY, DUPLICATED AND/OR REPRODUCED EXCEPT AS EXPRESSLY APPROVED IN WRITING IN ADVANCE BY OWNER. THIS DOCUMENT SHALL BE RETURNED TO OWNER UPON REQUEST. IT MAY BE SUBJECT TO CERTAIN RESTRICTIONS UNDER APPLICABLE EXPORT CONTROL LAWS AND REGULATIONS.	REGAL™ Regal Beloit America, Inc.	MATERIAL	PROCESS/FINISH NATURAL	THIRD ANGLE PROJECTION	SIZE D
BLOWER WEIGHT 5 LBS.			ENDPLAY .XX/.XX	REFERENCE	THIRD ANGLE PROJECTION	SIZE D	DRAWING NUMBER 70581527	SHEET 1 OF 1