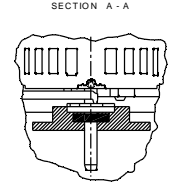


8	7	6	5	4	3	2	1
---	---	---	---	---	---	---	---

- ORACLE PART REV. 009
- NOTES:
1. PACK 1 PER CONTAINER, 36 MAX. PER PALLET, PACKING ASSY: 87854866, 12 CONTAINERS PER LAYER, 3 LAYERS PER PALLET, P.S. 88834200, P.S. 88834408
  2. STATIC TAP READING IS TO BE  $-95^{\circ}$  MINIMUM CORRECTED TO STANDARD AIR (0.075 LB/FT<sup>3</sup>) AT FREE AIR.
  3. ASSEMBLE PC 352 SEAL AFTER MOTOR HAS BEEN ASSEMBLED.
  4. ALL UNITS TO BE CHECKED 100% FOR TAP VACUUM. TEST 1 OF 20 FOR LEAKAGE.
  5. ALL UNITS TO BE 100% TESTED ON AUTOMATIC TEST FIXTURES PER TEST LIMITS ESTABLISHED IN THE TESTER DATABASE.
  6. CARTON LABELS MUST ALL FACE ONE DIRECTION TOWARD THE OPEN END OF THE PALLET. SEE P.S. 88834408.
  7. NO PACKING TAPE OVER CARTON LABELS.
  8. BLOWER: NATURAL, MOTOR: FLAT BLACK.

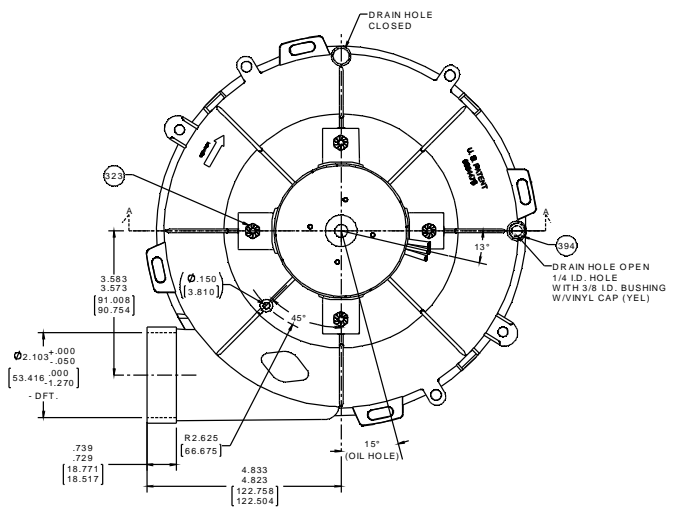
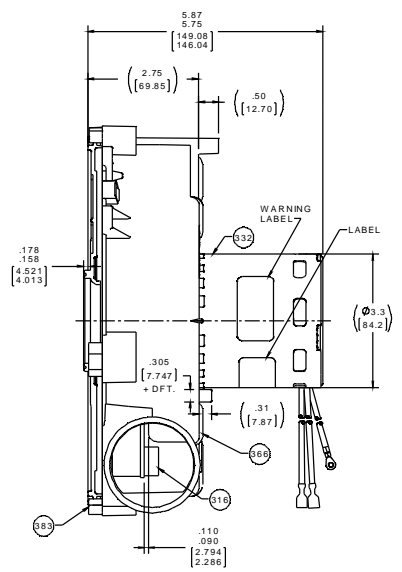
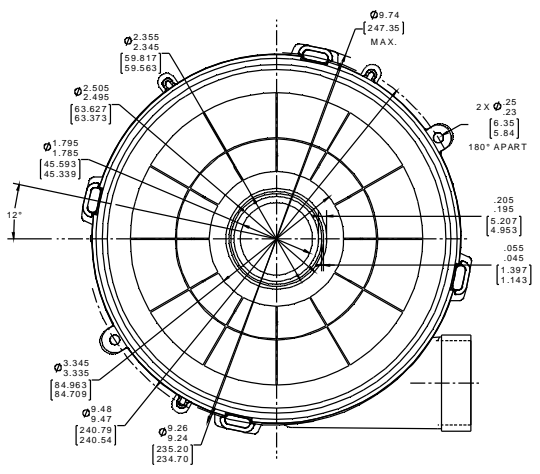
THERMALLY PROTECTED  
CLASS "B" INSULATION  
SEALED BALL BEARING  
416 SS SHAFT

APPLICATION:	DIST.	B	LA	FR	A	S	C	E	B	A
CUSTOMER:	FASCO DIST.	PS	21	47	F	06	CK	5	0	0
CUSTOMER PN:	A180									



LEAD MATERIAL  
18 GA. 125°C 2/64 INSUL. EPDM,  
12.50/10.50 (317.50/266.70) IN. [mm] LONG  
(1) W/IT W/SPADE  
TERM. 89034011  
AMP 2-520183-2  
(1) BLK W/MSPADE  
TERM. 89039148  
AMP 2-520102-2

GROUND LEAD  
18 GA. 125°C 2/64 INSUL.  
X-LNK POLY. GRN/YEL  
18.00/14.00 (406.40/355.60) IN. [mm] LONG  
W/RING TERM. 89036014  
AMP 40724



SCALE 2:3

TYPICAL PERFORMANCE TEST DATA			
IN FREE AIR			
AT 115 VOLTS, 60 Hz			
RPM	WATTS	AMPS	
3220	135	1.9	
BLOWER WEIGHT		ENDPLAY	
5.25 LBS.		.XX/.XX	

DRAWING REVISION: K	REVISION BY: MLS	DATE: 2/25/2015	TOLERANCES UNLESS OTHERWISE SPECIFIED:	DRAWN BY: MLS	DATE: 2/25/2015	REGAL BELTOI AMERICA, INC.
ECG-0072387	APPROVED BY: SDM	DATE: 2/25/2015	XXX .125 (1/8)	APPROVED BY: SDM	DATE: 2/25/2015	
CONVERT TO SOLIDWORKS			XXX .0005 (.005)	DATE: 2/25/2015	DESCRIPTION: BLOWER ASSY	
REMOVE BURRED & BREAK SHARP EDGES: .005 RADIUS (.015) CORNER FILLETS: R.02 (.5)			FINISH: 320 (320)	DATE: 2/25/2015	MATERIAL: [ ] PROCESS/FINISH: [ ]	
FINISH: 320 (320)			FINISH: 320 (320)	DATE: 2/25/2015	REFERENCE: [ ] TIRAO ANGLE PRODUCTION: [ ]	

8	7	6	5	4	3	2	1
---	---	---	---	---	---	---	---