

NOTES:

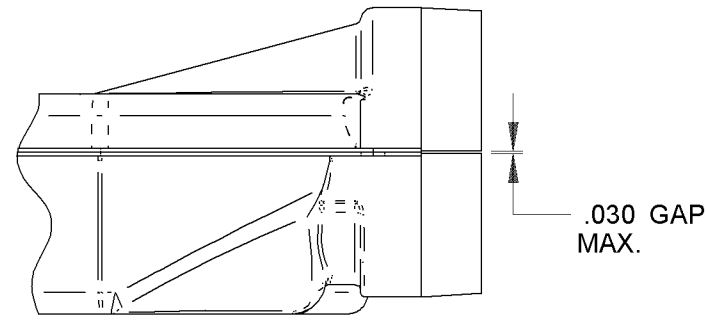
1. IMPELLER TO BE MEASURED FROM INSIDE OF HOUSING TO BACKPLATE.
2. INSPECTION TEST FIXTURE IS REQUIRED.
3. 100% HYPOT BLOWER AT 1500 VOLTS FOR 1 SECOND.
4. STATIC TAP READING IS TO BE -1.60" TO -2.00" MINIMUM CORRECTED TO STANDARD AIR (.0075 LB/FT³) WITH A 1.75" INLET RESTRICTOR.
5. QUALITY AUDIT MUST INCLUDE VIBRATION CHECK AT LOCATIONS SHOWN ON DRAWING. MAXIMUM ALLOWABLE DISPLACMENT TBD.
6. QUALITY AUDIT MUST INCLUDE UNUSUAL NOISE CHECK IN QUIET ROOM. CHECK (2) BLOWERS PER PALLET.
7. PACK 1 PER CONTAINER, 9 CONTAINERS PER LAYER, 4 LAYERS PER PALLET, 36 MAX. PER PALET, PACKING ASSY. 87854752, P.S. 88834200.
8. CARTON LABELS MUST ALL FACE ONE DIRECTION TOWARD THE OPEN END OF THE PALLET. SEE P.S. 88834408.
9. NO PACKING TAPE OVER CARTON LABEL.

APPLICATION 80+ DIRECT VENT INDUCER

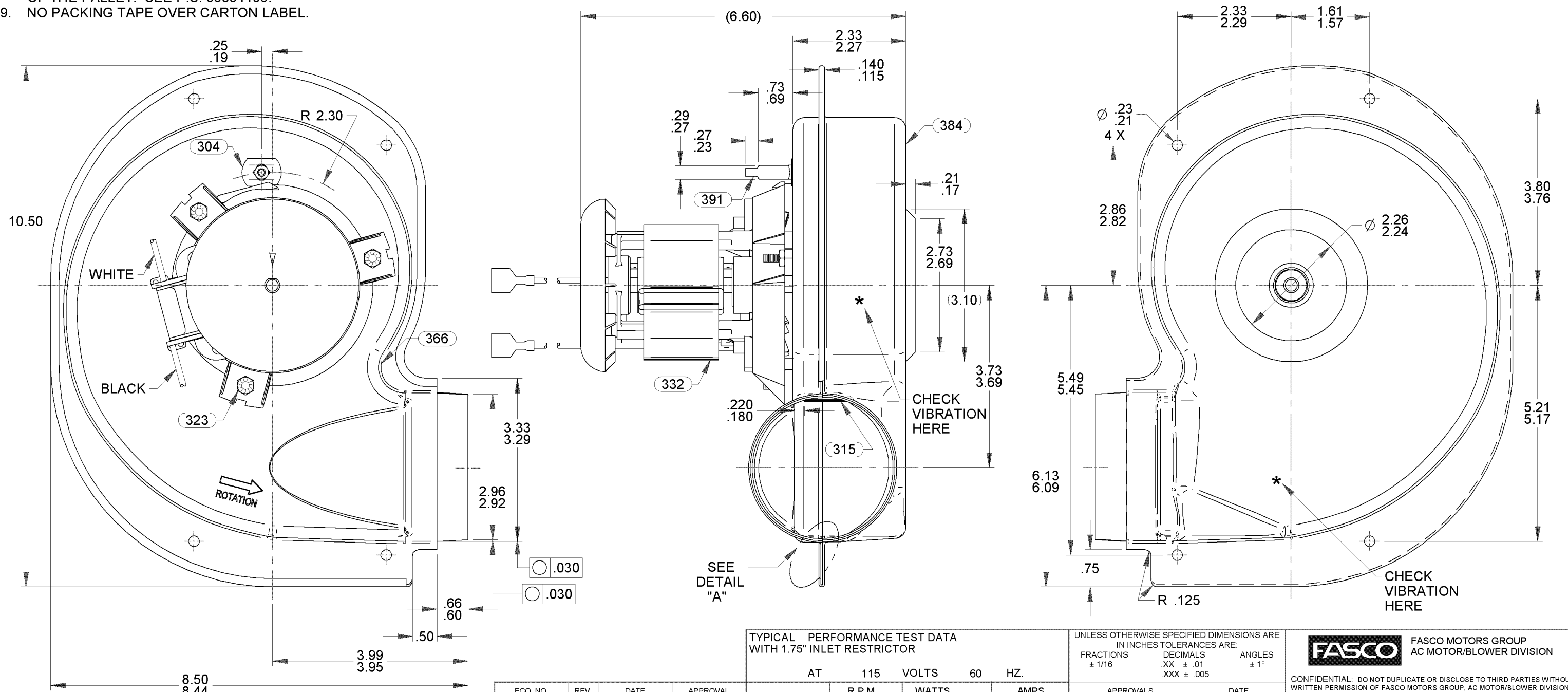
THERMALLY PROTECTED
CLASS "B" INSULATION
SEALED BALL BEARING
416 SS SHAFT

B	LA	FR	A	S	C	E	B	A
GE	58	48	X	06	AB	5	0	0
CUSTOMER								FASCO DIST.
CUSTOMER PART NO.								A176

LEAD MATERIAL
18 GA, 125°C, 2/64 INSUL.
X-LINKED POLY.
(1) BLK AND (1) WHT
8.00/6.00 IN. LONG
W/ MSPADE TERMS. 89039148
AMP 2-520102-2



DETAIL "A"



TYPICAL PERFORMANCE TEST DATA WITH 1.75" INLET RESTRICTOR

AT	115	VOLTS	60	HZ.	
R.P.M.	3150	WATTS	100	AMPS	1.7

UNLESS OTHERWISE SPECIFIED DIMENSIONS ARE IN INCHES TOLERANCES ARE:
FRACTIONS ± 1/16
DECIMALS XX ± .01
XXX ± .005
ANGLES ± 1°

FASCO FASCO MOTORS GROUP
AC MOTOR/BLOWER DIVISION

ECO. NO.	REV.	DATE	APPROVAL
C440115	02	09/09/2010	BGP/SDM
4007135	03	10/26/2012	JMC/KSA

APPROVALS	DATE
DRAWN SDM	11/05/2009
CHECKED VLL	11/05/2009

FINISH COLOR NATURAL
END PLAY .XX/XX
BLOWER WEIGHT 6 LBS.

CONFIDENTIAL: DO NOT DUPLICATE OR DISCLOSE TO THIRD PARTIES WITHOUT WRITTEN PERMISSION OF FASCO MOTORS GROUP, AC MOTOR/BLOWER DIVISION.

TITLE
BLOWER ASSEMBLY

SIZE **B** DWG. NO. 7058 1399 REV. 03

DO NOT SCALE DRAWING SHEET 1 OF 1