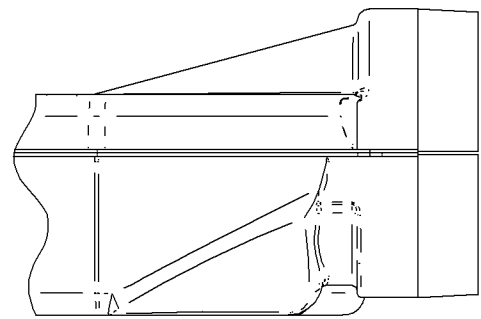
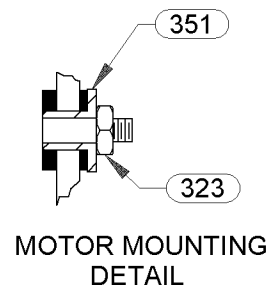


NOTES:

1. ASSEMBLE GROUND STRAP BETWEEN (2) PC 323 NUTS.
2. IMPELLER TO BE MEASURED .220/.180 FROM INSIDE OF MOTOR HOUSING TO BACKPLATE OF IMPELLER WITH SHAFT ENDPLAY PUSHED IN.
3. INSPECTION TEST FIXTURE IS REQUIRED.
4. BLOWER MUST START AT 101 VOLTS.
5. PACK 1 PER CONTAINER, 36 MAX. PER PALLET, PACKING ASSY. 87854751, 12 CONTAINERS PER LAYER, 3 LAYERS PER PALLET, P.S. 88834200 AND P.S. 88834408.
6. STATIC TAP READING IS TO BE -.30 MINIMUM CORRECTED TO STANDARD AIR (0.075 LB/FT<sup>3</sup>) WITH A 1.75 INLET RESTRICTOR.
7. CARTON LABELS MUST ALL FACE ONE DIRECTION TOWARD THE OPEN END OF THE PALLET. SEE P.S. 88834408.
8. NO PACKING TAPE OVER CARTON LABEL.



DETAIL "A"



MOTOR MOUNTING DETAIL

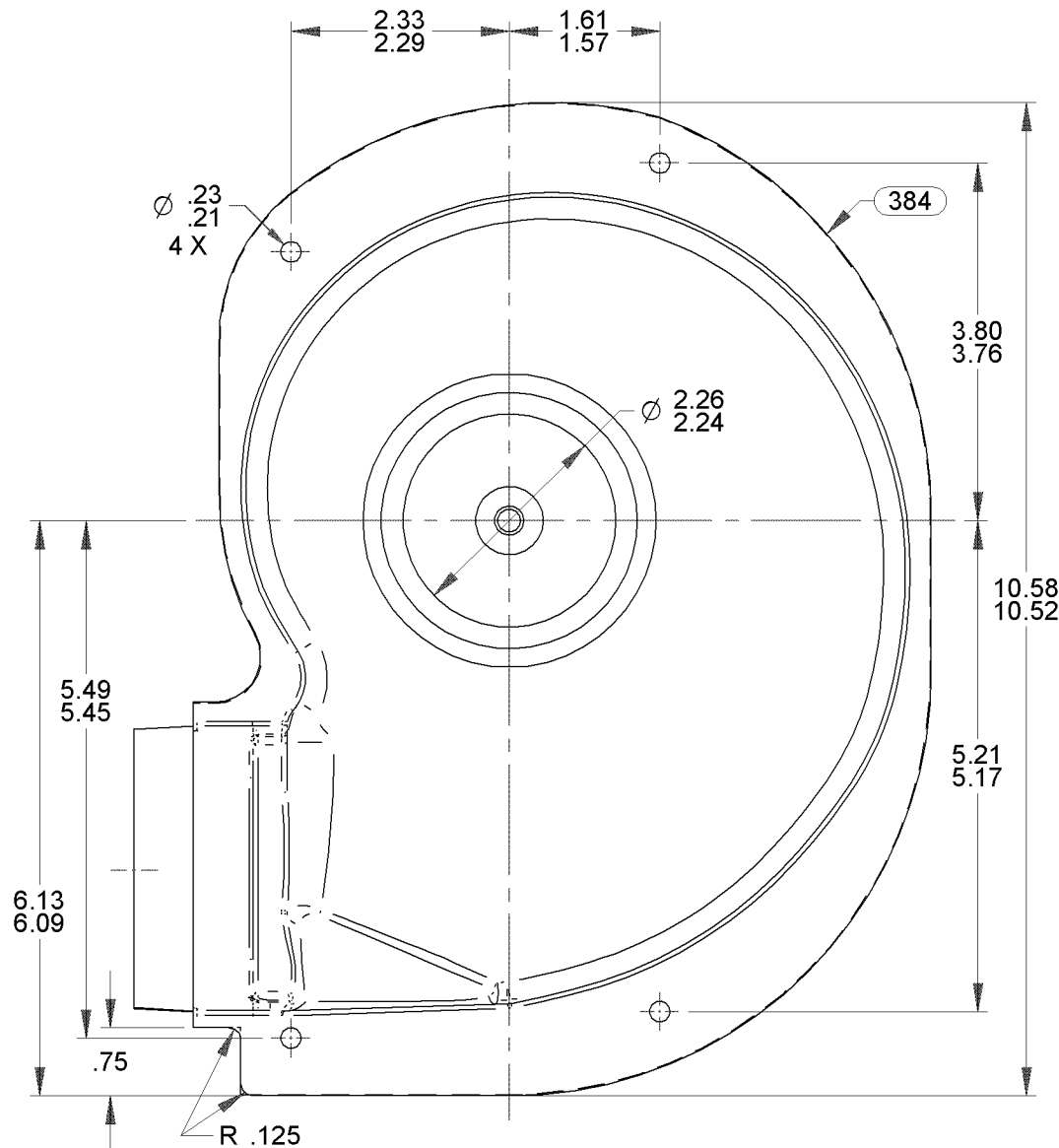
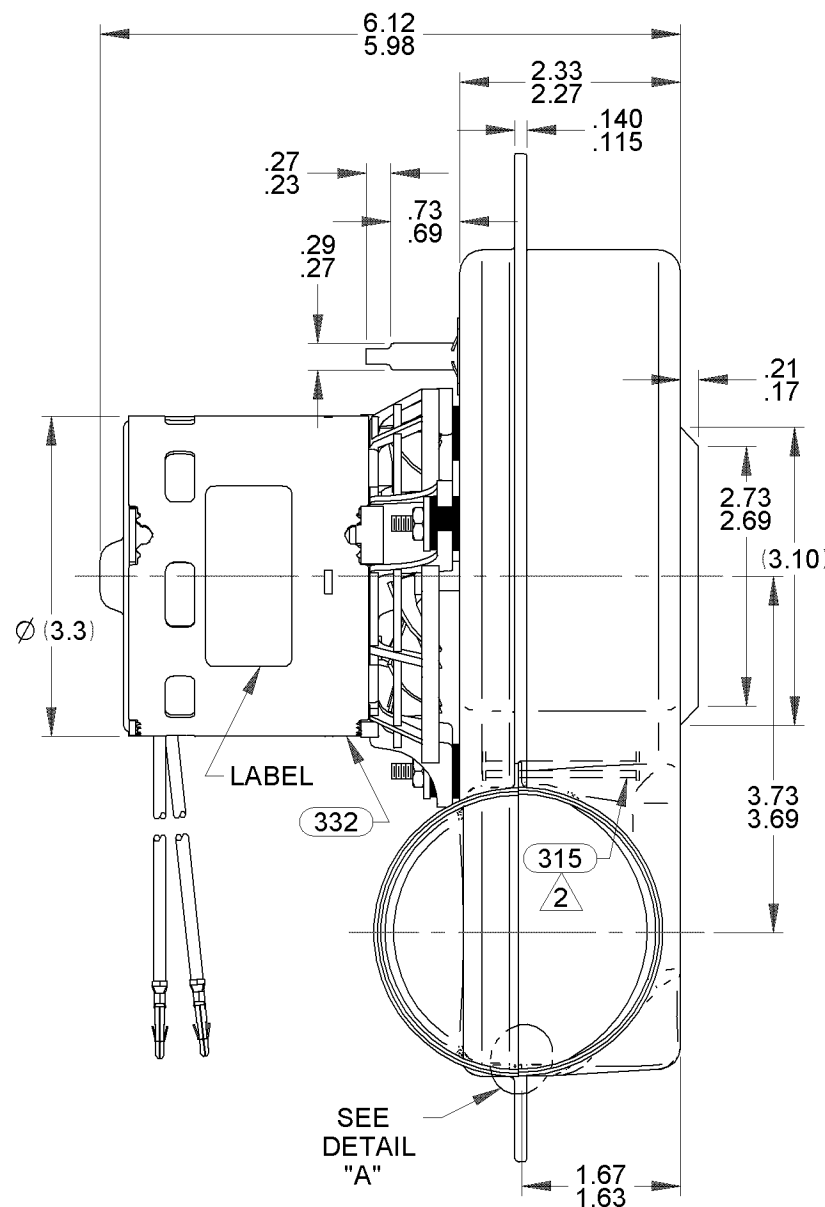
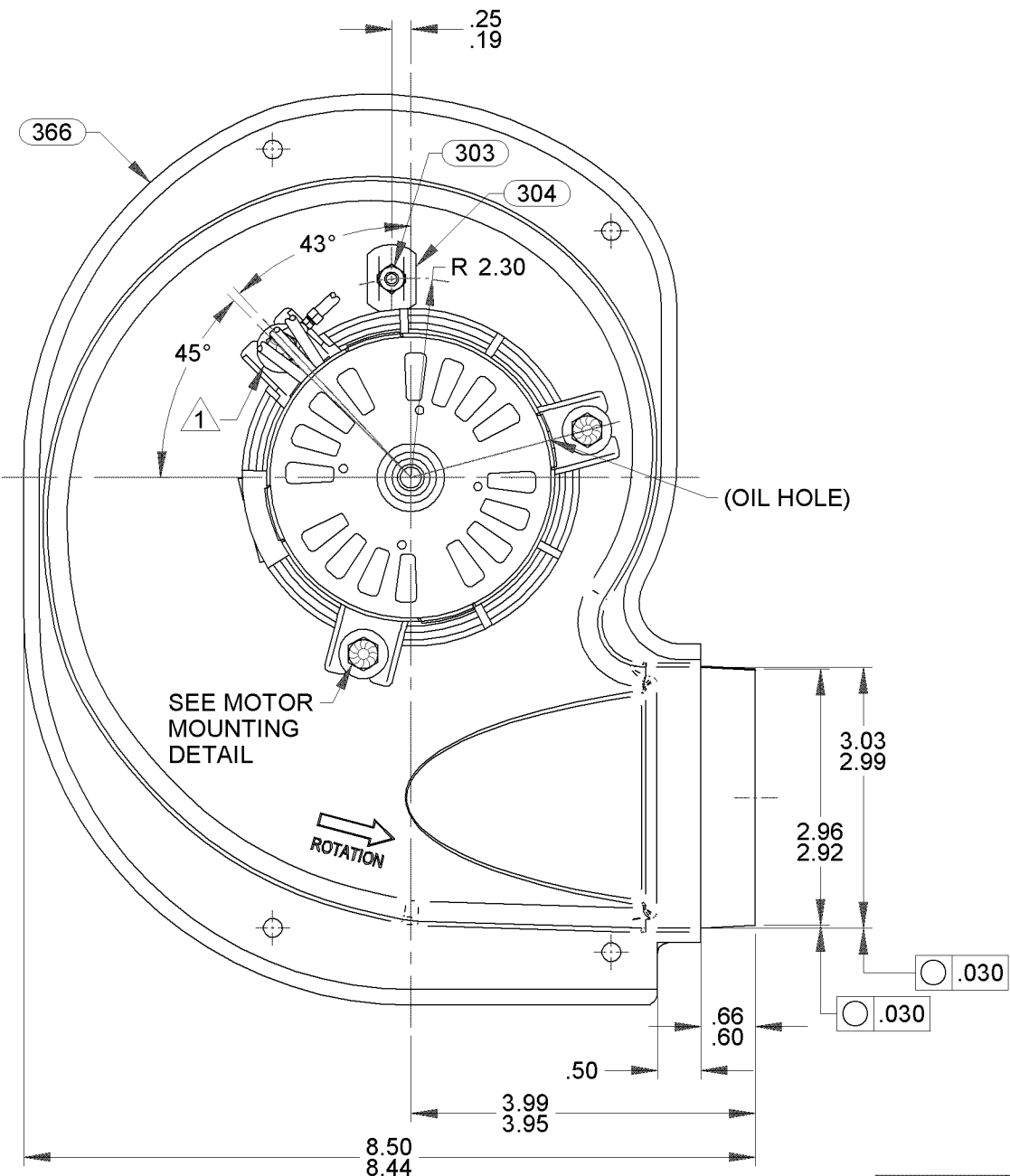
APPLICATION FURNACE

THERMALLY PROTECTED CLASS "B" INSULATION

LEAD MATERIAL  
 18 GA. 125°C 4/64 INSUL.  
 EPDM. (1) WHT  
 AND (1) BLK  
 24.00/22.00 IN. LONG  
 W/PIN TERMS. 89039166  
 AMP 350538-1

B	LA	FR	A	S	C	E	B	A
GE	21	47	V	01	CG	5	3	0
CUSTOMER FASCO DIST.								
CUSTOMER PART NO. A174								

GROUND LEAD MATERIAL  
 18 GA. 125°C 2/64 INSUL.  
 X-LINKED POLY. GRN/YEL  
 7.00/5.00 IN. LONG  
 W/RING TERM. 89020156  
 AMP 61794-1



TYPICAL PERFORMANCE TEST DATA WITH Ø1.75 INLET RESTRICTOR

ECO. NO.	REV.	DATE	APPROVAL	AT	115	VOLTS	60	HZ.	APPROVALS	DATE	
C440078	05	09/07/2010	SDM/BGP			78		.97	DRAWN	SDM	09/26/2005
4010761	06	11/12/2013	MLH/PLA						CHECKED	PLA	09/26/2005
BLOWER WEIGHT				END PLAY				FINISH COLOR			
4.5 LBS.				.030/.010				BLOWER - NATURAL MOTOR - FLAT BLACK			

UNLESS OTHERWISE SPECIFIED DIMENSIONS ARE IN INCHES TOLERANCES ARE:  
 FRACTIONS ± 1/16  
 DECIMALS XX ± .01  
 ANGLES XXX ± .005

**FASCO** FASCO MOTORS GROUP  
 AC MOTOR/BLOWER DIVISION

CONFIDENTIAL: DO NOT DUPLICATE OR DISCLOSE TO THIRD PARTIES WITHOUT WRITTEN PERMISSION OF FASCO MOTORS GROUP, AC MOTOR/BLOWER DIVISION.

TITLE  
**BLOWER ASSEMBLY**

SIZE **B** DWG. NO. 7021 11872 REV. 06

DO NOT SCALE DRAWING SHEET 1 OF 1