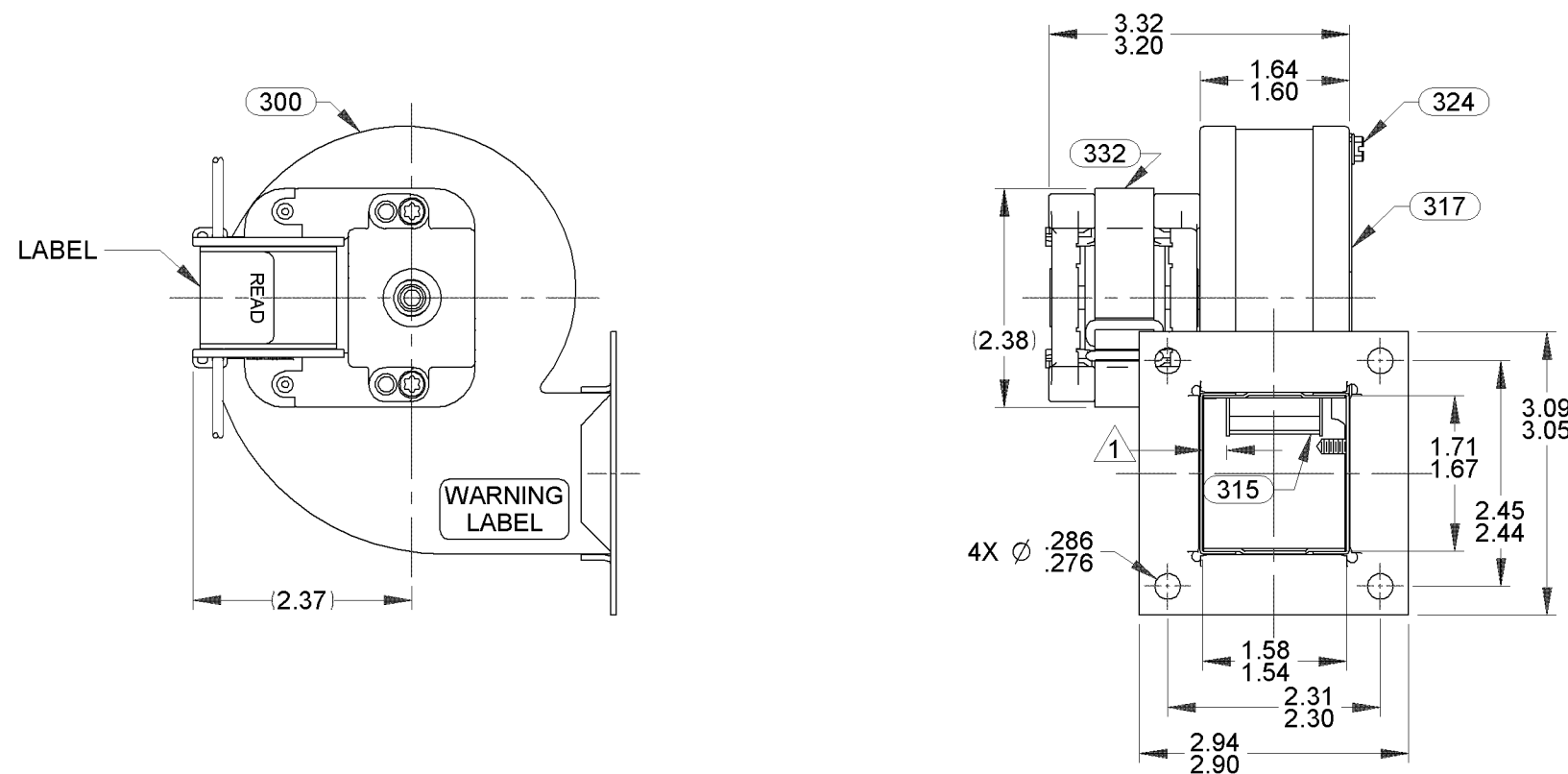


NOTES:

1. LOCATION OF IMPELLER TO BE .300/.220 FROM EDGE OF IMPELLER TO INSIDE OF MOTOR HOUSING SHELL.
2. TORQUE NUTS 6 TO 9 IN./LBS WHEN ASSEMBLING MOTOR TO HOUSING.
3. PACK 1 PER CONTAINER, 336 MAX. PER PALLET, PALLET LAYOUT; 87854874, 48 CONTAINERS PER LAYER, 7 LAYERS PER PALLET, P.S. 88834200 AND P.S. 88834408.
4. CARTON LABELS MUST ALL FACE ONE DIRECTION TOWARD THE OPEN END OF THE PALLET. SEE P.S. 88834408.
5. NO PACKAGING TAPE OVER CARTON LABEL.

APPLICATION	B	LA	FR	A	S	C	E	B	A
IMPEDANCE PROTECTED CLASS "B" INSULATION	24	58	52	X	01	AE	0	1	0
CUSTOMER	FASCO DIST.								
CUSTOMER PART NO.	A167								

LEAD MATERIAL
 18 GA. 125°C 2/64 INSUL.
 X-LINKED POLY. (2) BLK
 12.00/10.00 IN. LONG
 .56/.44 IN. STRIP



61294832

SAFETY WARNING
 This Motor Must Be Grounded
 In Accordance With Local Or
 National Electrical Codes
 To Prevent Possible Injury
 Due To Electrical Shock

ECO. NO.				TYPICAL PERFORMANCE TEST DATA IN FREE AIR				UNLESS OTHERWISE SPECIFIED DIMENSIONS ARE IN INCHES TOLERANCES ARE:			FASCO FASCO MOTORS GROUP AC MOTOR/BLOWER DIVISION		
REV.	DATE	APPROVAL		AT	115	VOLTS	60	HZ.	FRACTIONS ± 1/16	DECIMALS XX ± .01 XXX ± .005	ANGLES ± 1°	CONFIDENTIAL: DO NOT DUPLICATE OR DISCLOSE TO THIRD PARTIES WITHOUT WRITTEN PERMISSION OF FASCO MOTORS GROUP, AC MOTOR/BLOWER DIVISION.	
ECO. NO.	REV.	DATE	APPROVAL		R.P.M.	WATTS	AMPS	APPROVALS	DATE		TITLE		
4001669	01	04/14/11	MLM/PLA		3066	17	.31	DRAWN	SDM	05/20/2009		BLOWER ASSEMBLY	
4008111	02	02/08/2013	MLM/SED					CHECKED	VLL	05/20/2009		SIZE B	DWG. NO. 7058 1402
4012824	03	7/17/2014	MLS/KSA					FINISH COLOR		BLOWER - BLACK MOTOR - NATURAL		REV. 03	SHEET 1 OF 1
				BLOWER WEIGHT 2.5 LBS.				END PLAY .045/.005				DO NOT SCALE DRAWING	