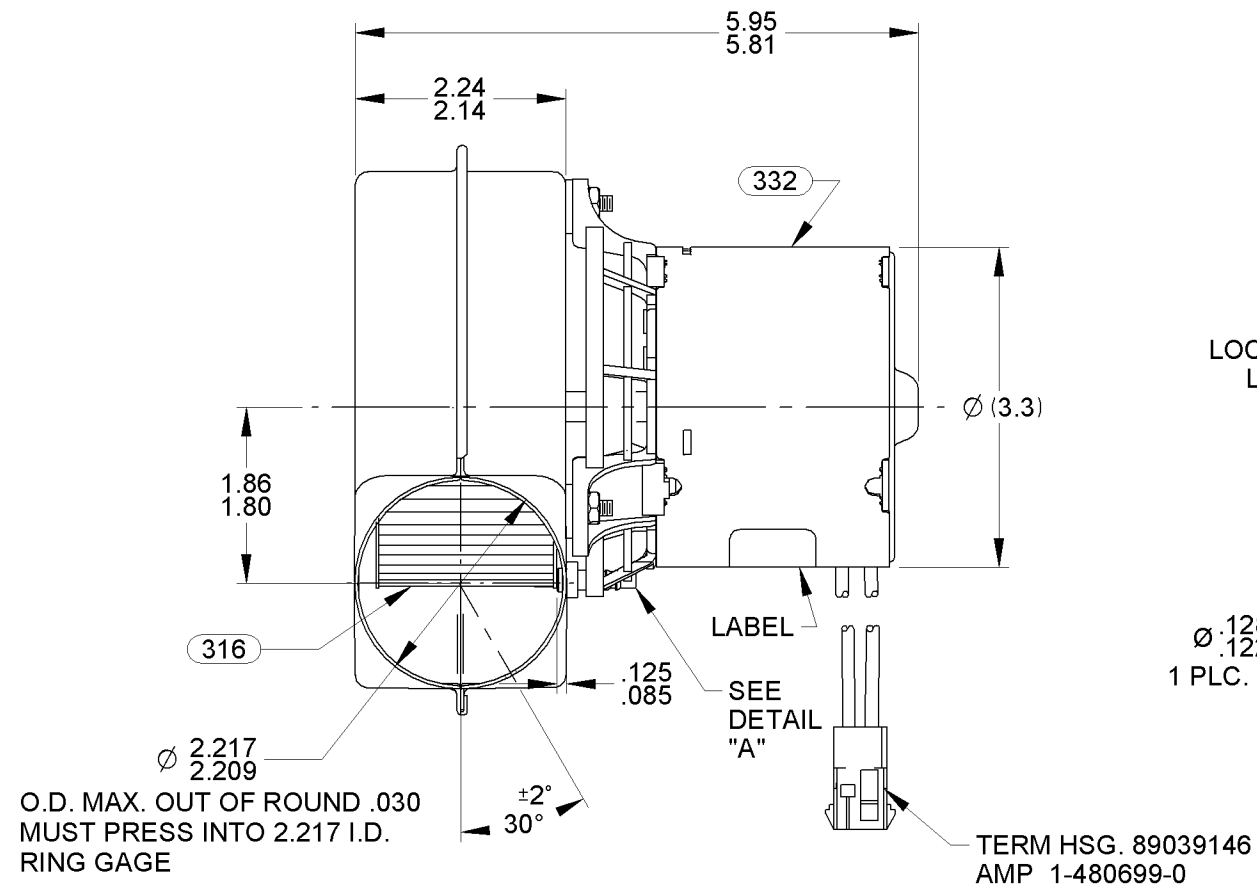
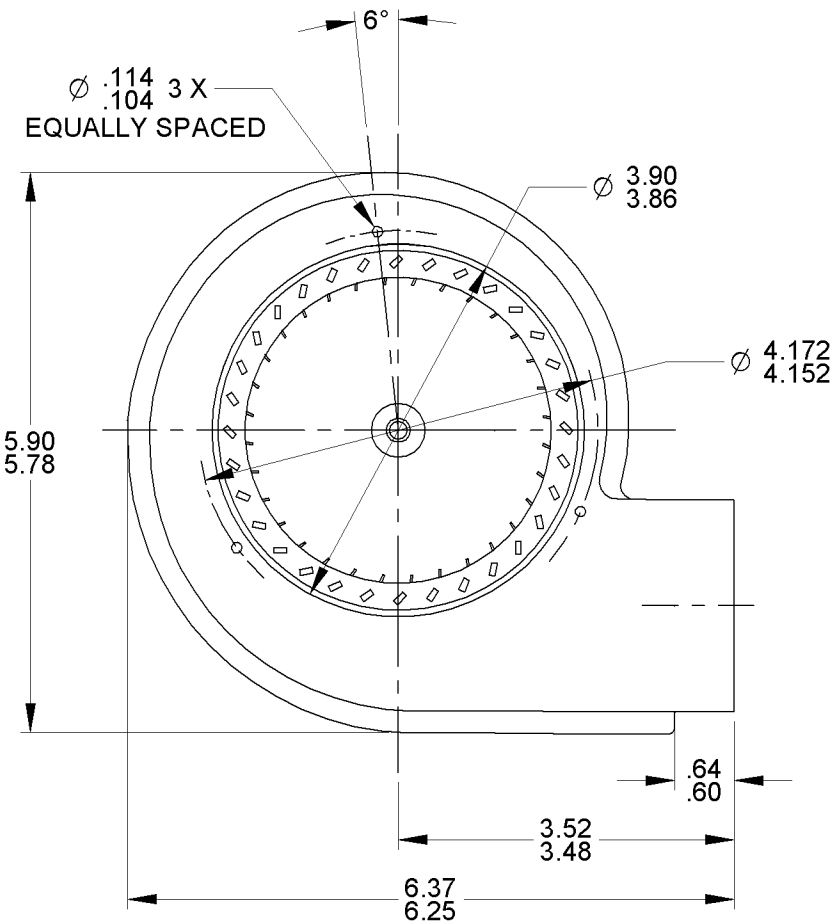
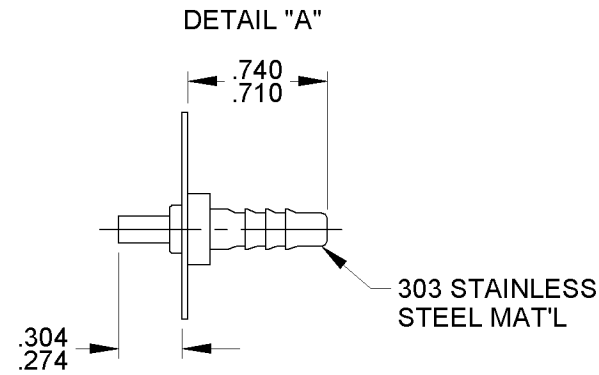


NOTES:

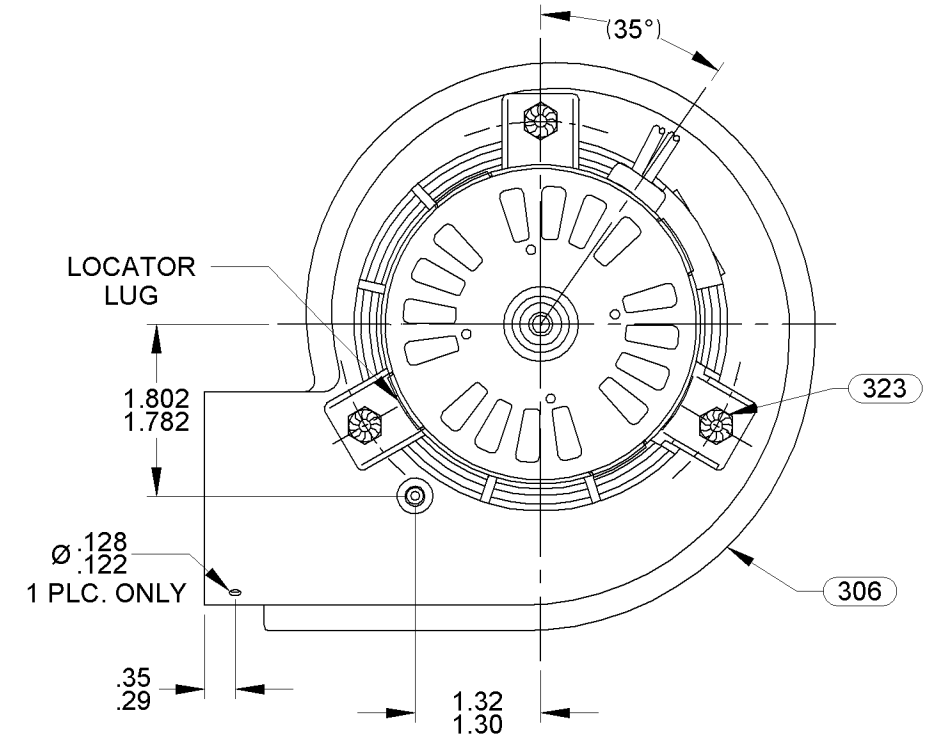
1. WITH 98 VOLTS APPLIED, SHAFT MUST MAKE THREE UNINTERRUPTED REVOLUTIONS.
2. CHECK 100% FOR STATIC TAP READING IS TO BE $-.83$ MINIMUM CORRECTED TO STANDARD AIR (0.075 LB/FT^3) WITH A $2 \frac{1}{16}$ DIA. INLET RESTRICTOR.
3. PACK 1 PER CONTAINER, 150 MAX. PER PALLET, PACKING ASSY: 87854000
30 CONTAINERS PER LAYER, 5 LAYERS PER PALLET. P.S. 88834200 AND P.S. 88834408
4. CARTON LABELS MUST ALL FACE ONE DIRECTION TOWARD THE OPEN END OF THE PALLET. SEE P.S. 88834408.
5. NO PACKAGING TAPE OVER CARTON LABEL.
6. INSPECTION TEST FIXTURE IS REQUIRED.

APPLICATION	DIST. SALES	B	LA	FR	A	S	C	E	B	A
THERMALLY PROTECTED CLASS "B" INSULATION 416 S. S. SHAFT		GO	21	47	V	01	CN	5	1	0
		CUSTOMER FASCO DIST.								
		CUSTOMER PART NO. A164								

LEAD MATERIAL
18 GA. 125°C 4/64 INSUL.
EPDM, BLK
7.00/5.00 IN. LONG
SOCKET TERM. 89036006
AMP 350537-1



O.D. MAX. OUT OF ROUND .030
MUST PRESS INTO 2.217 I.D.
RING GAGE



TYPICAL PERFORMANCE TEST DATA WITH 2 1/16" INLET RESTRICTOR			
AT	120	VOLTS	60 HZ.
	R.P.M.	WATTS	AMPS
	3188	60	.78

UNLESS OTHERWISE SPECIFIED DIMENSIONS ARE
IN INCHES TOLERANCES ARE:
FRACTIONS ± 1/16 DECIMALS XX ± .01 ANGLES ± 1°
XXX ± .005

FASCO FASCO MOTORS GROUP
AC MOTOR/BLOWER DIVISION

ECO. NO.	REV.	DATE	APPROVAL
4001301	08	03/02/11	MLM/PLA
4008701	09	3/26/2013	PLA/BGP
4010070	10	8/16/2013	MLS/KSA

BLOWER WEIGHT LBS.		END PLAY .030/.010
-----------------------	--	-----------------------

APPROVALS	DATE
DRAWN PLA	11/01/2004
CHECKED BGP	11/01/2004
FINISH COLOR	MOTOR - BLACK BLOWER - NATURAL

CONFIDENTIAL: DO NOT DUPLICATE OR DISCLOSE TO THIRD PARTIES WITHOUT WRITTEN PERMISSION OF FASCO MOTORS GROUP, AC MOTOR/BLOWER DIVISION.		
TITLE BLOWER ASSEMBLY		
SIZE B	DWG. NO. 7021 10894	REV. 10
DO NOT SCALE DRAWING		SHEET 1 OF 1