

NOTES:

1. DIMENSION WITH ENDPLAY PUSHED TOWARD MOTOR.
2. INSPECTION TEST FIXTURING REQUIRED.
3. SWITCH MUST MAKE CONTACT BETWEEN 1800-2500 RPM AND BREAK 50-500 RPM BELOW ACTUAL MAKE.
4. SWITCH MECHANISM TO GIVE QUIET OPERATION ABOVE 2500 RPM.
5. PACK 1 PER CONTAINER, 36 MAX. PER PALLET, PACKING ASSY. 87854851, 9 CONTAINERS PER LAYER, 4 LAYERS PER PALLET, PER 88834200 AND 88834408.
6. CARTON LABELS MUST ALL FACE ONE DIRECTION TOWARD THE OPEN END OF THE PALLET. SEE 88834408.
7. NO PACKAGING TAPE OVER CARTON LABEL.
8. BLOWER - NATURAL, MOTOR - FLAT BLACK.

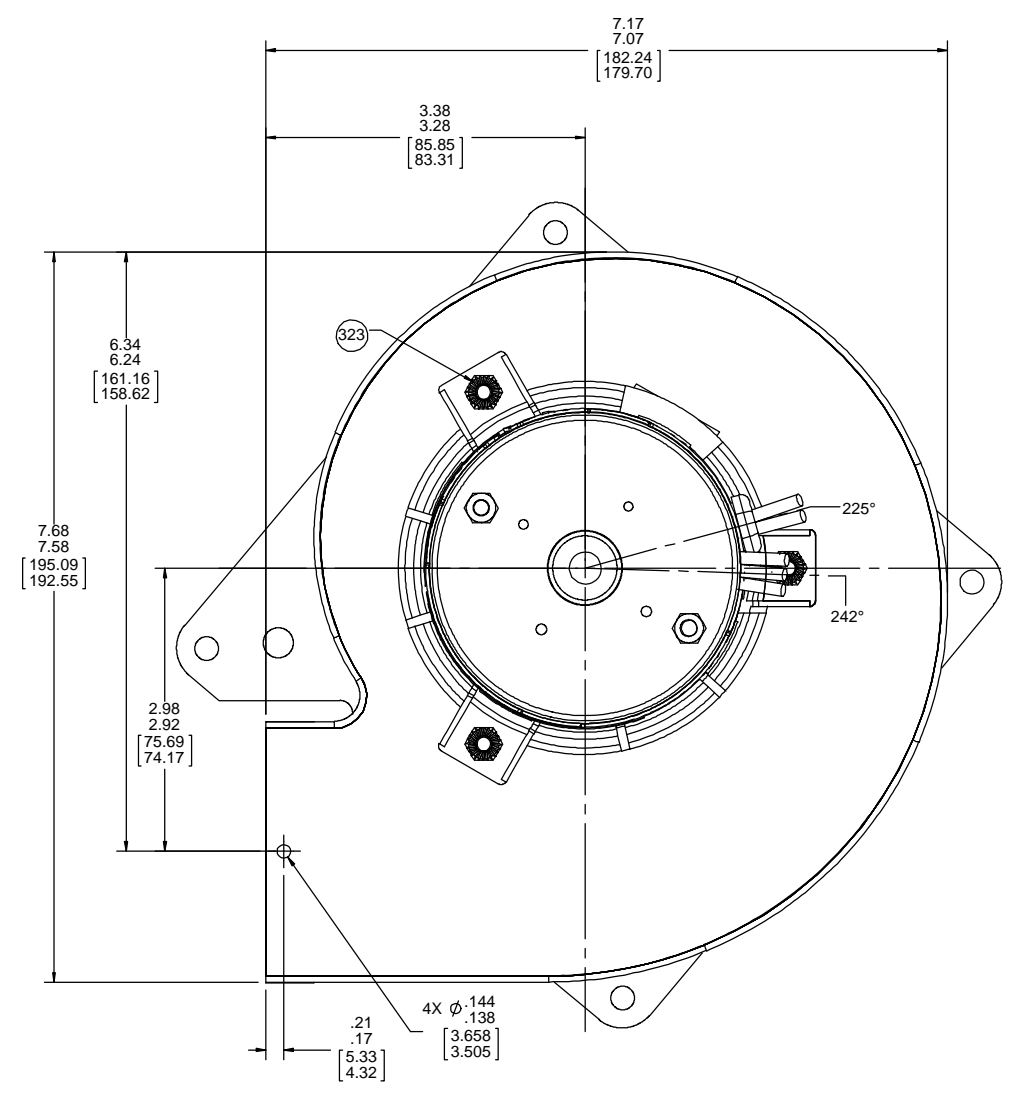
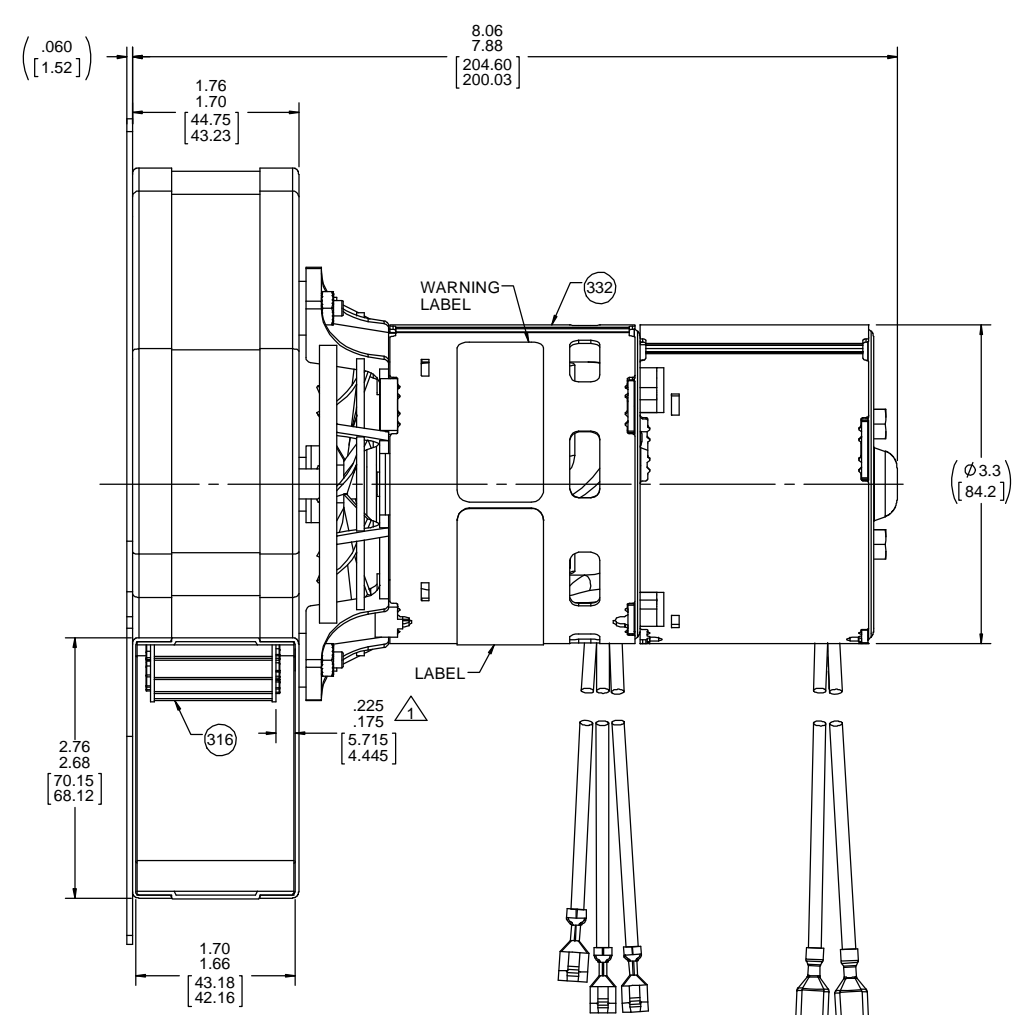
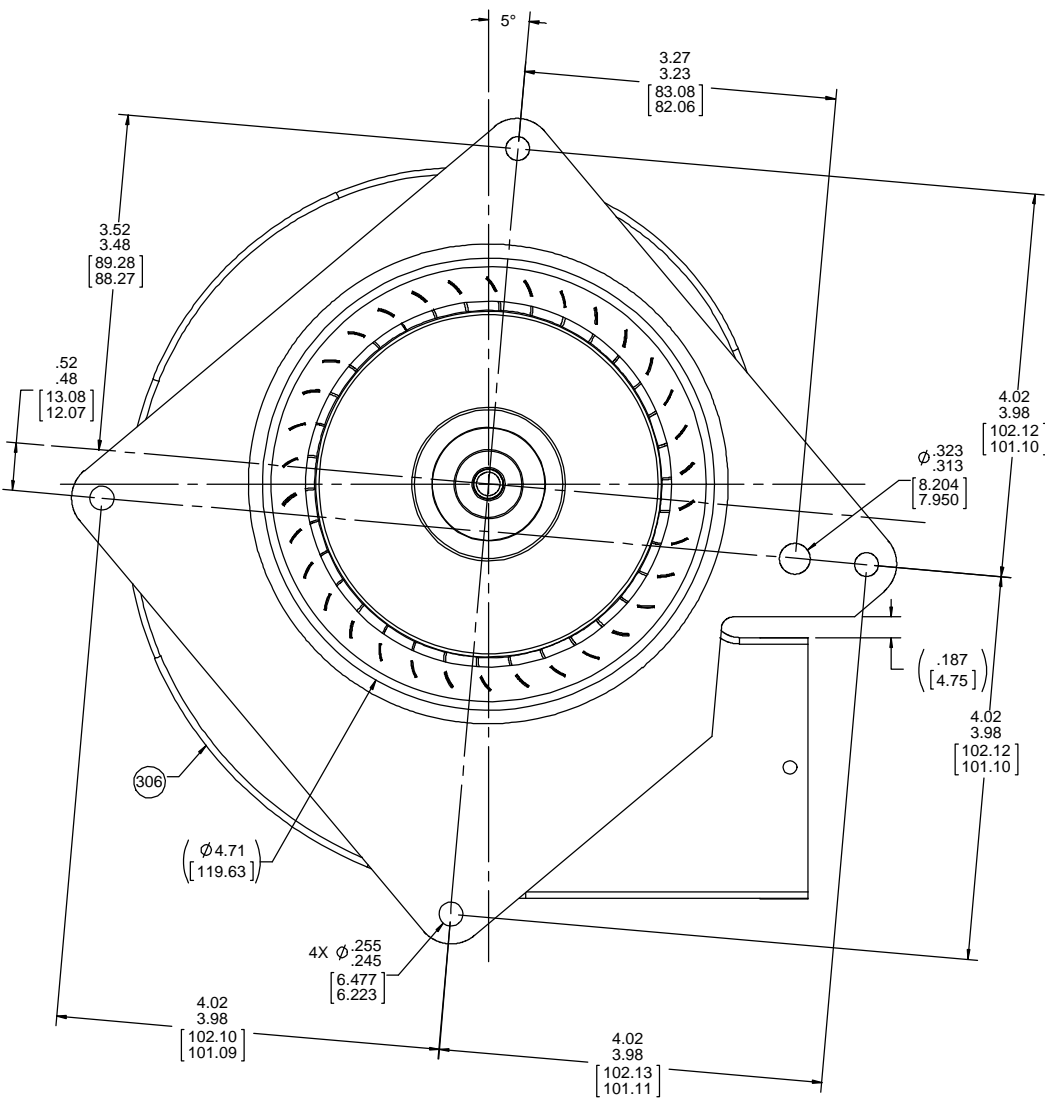
Connection Diagram
 Brn — Common
 Blk — 208 V
 Red — 230 V
 Orn —
 Orn —

THERMALLY PROTECTED
 CLASS "B" INSULATION
 416 SS SHAFT

APPLICATION:	DIST. SALES	B	LA	FR	A	S	C	E	B	A
CUSTOMER:	FASCO DIST.	12	21	49	V	02	JA	9	3	0
CUSTOMER PN:	A162									

LEAD MATERIAL
 18 GA. 125°C 4/64 INSUL.
 EPDM
 (1) RED, (1) BROWN
 34.00/32.00 [863.60/812.80]
 (1) BLACK
 25.00/23.00 [635.00/584.20]
 W/FSPADE TERM.
 AMP 42692-2

SWITCH LEADS
 18 GA. 105°C 3/64 INSUL.
 THERMO.
 ORANGE
 32.00/30.00 [812.80/762.00]
 W/FSPADE TERM.
 AMP 2-520263-2



TYPICAL PERFORMANCE TEST DATA WITH 1.5 [38.1] DIA. INLET RESTRICTOR			
AT 230 VOLTS 60Hz			
	RPM	WATTS	AMPS
	3033	68	.44
BLOWER WEIGHT	5.25 LBS.		ENDPLAY .025/.008 [.635/.203]

DRAWING REVISION AA	REVISION BY MLS	DATE 11/1/2017	TOLERANCES UNLESS OTHERWISE SPECIFIED: DEC. INCH mm ANGLE .X ±0.1 [±2.5] ±1° .XX ±0.01 [±0.25] .XXX ±0.005 [±0.127] XXXX ±0.0005 [±0.0127]	DRAWN BY MLS	DATE 11/1/2017	REGAL Regal Beloit America, Inc.
ECO-0131946	APPROVED BY SDM	DATE 11/1/2017	REMOVED BURRS & BREAK SHARP EDGES: .003/.015 [0.076/.381] X 45° CORNER FILLETS: R.02 [51] MACHINED SURFACES: 125/ INCR/ 32/ mm SHOWN IN [BRACKETS]	APPROVED BY SDM	DATE 11/1/2017	DESCRIPTION OUTLINE BLOWER ASSY
BLOWER WEIGHT 5.25 LBS.			ENDPLAY .025/.008 [.635/.203]	REFERENCE	THIRD ANGLE PROJECTION	MATERIAL PROCESS/FINISH SEE NOTES
				SIZE D	DRAWING NUMBER 702110892	SHEET 1 OF 1