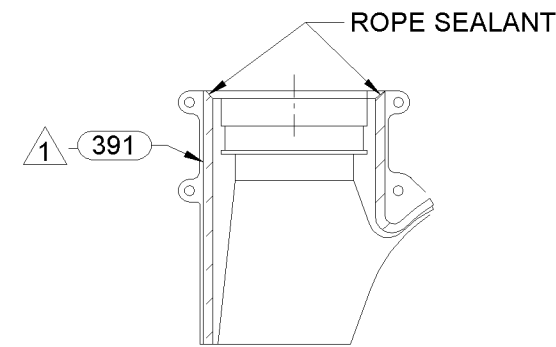


NOTES:

1. LAY PC 391 ROPE SEALANT IN CHANNEL PROVIDED IN PC 366 MOUNTING SHELL.
2. ASSEMBLE INLET SHELL TO MOUNTING SHELL ASSEMBLY AND SECURE WITH (9) PC 324 SCREWS. TRIM EXCESS ROPE SEALANT FROM FACE OF BLOWER EXHAUST.
3. STATIC TAP MUST BE FLASH FREE.
4. USE GO AND NO GO GAUGES 2.412/2.393 FOR CORRECT EXHAUST OPENING.
5. PACK 1 PER CONTAINER, 36 MAX. PER PALLET, PACKING ASSY. 8785-4866, 12 CONTAINERS PER LAYER, 3 LAYERS PER PALLET, P.S. 8883-4200 AND P.S. 883-4408.
6. CAPACITOR 4 MFD 250 VAC.
7. CARTON LABELS MUST ALL FACE ONE DIRECTION TOWARD THE OPEN END OF THE PALLET. SEE P.S. 8883 4408.
8. NO PACKAGING TAPE OVER CARTON LABEL.



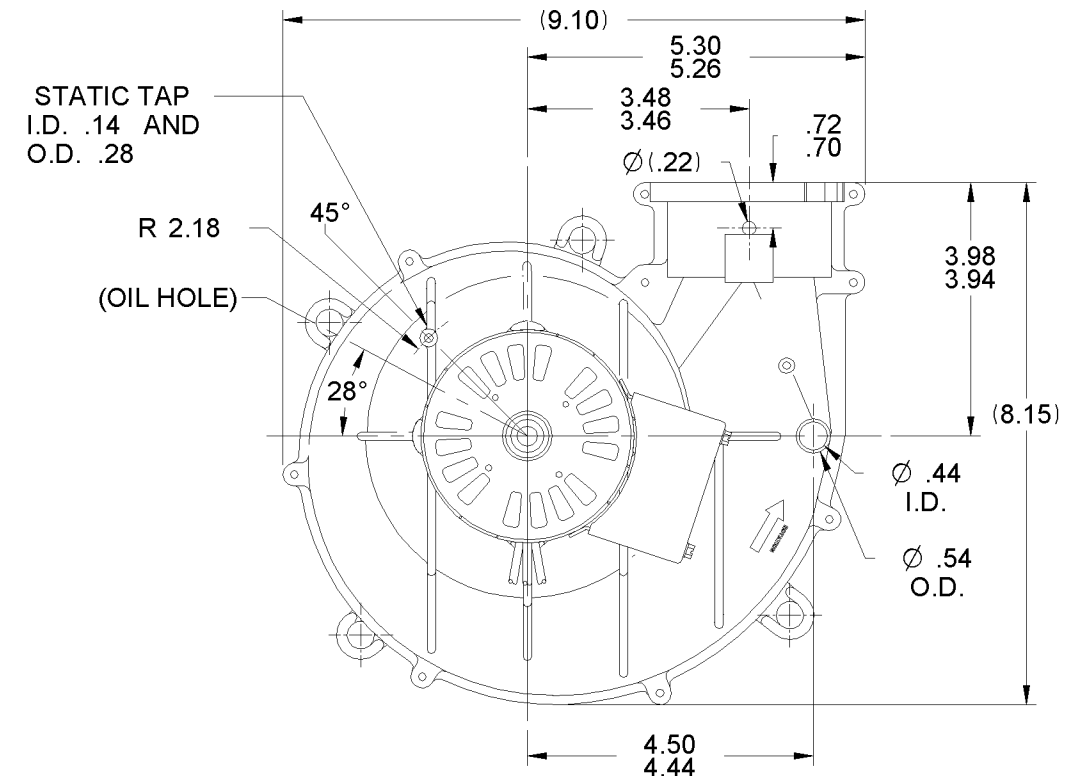
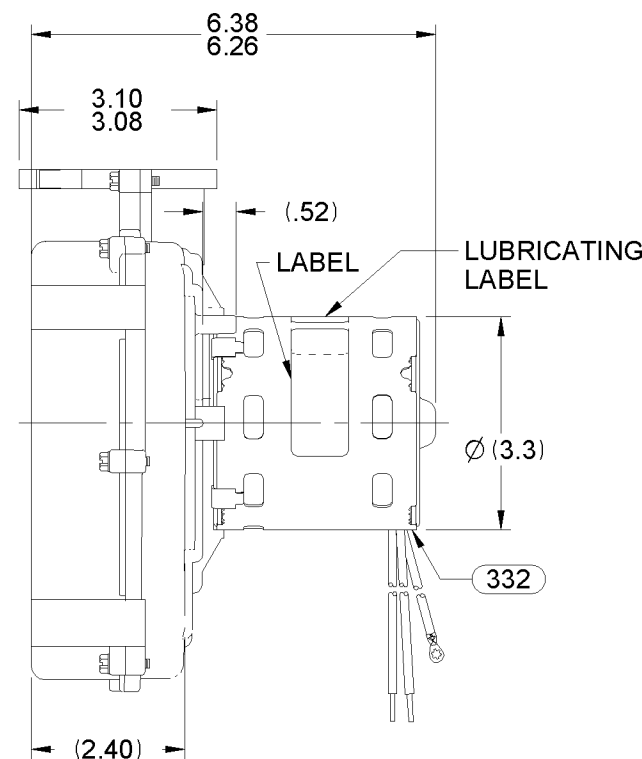
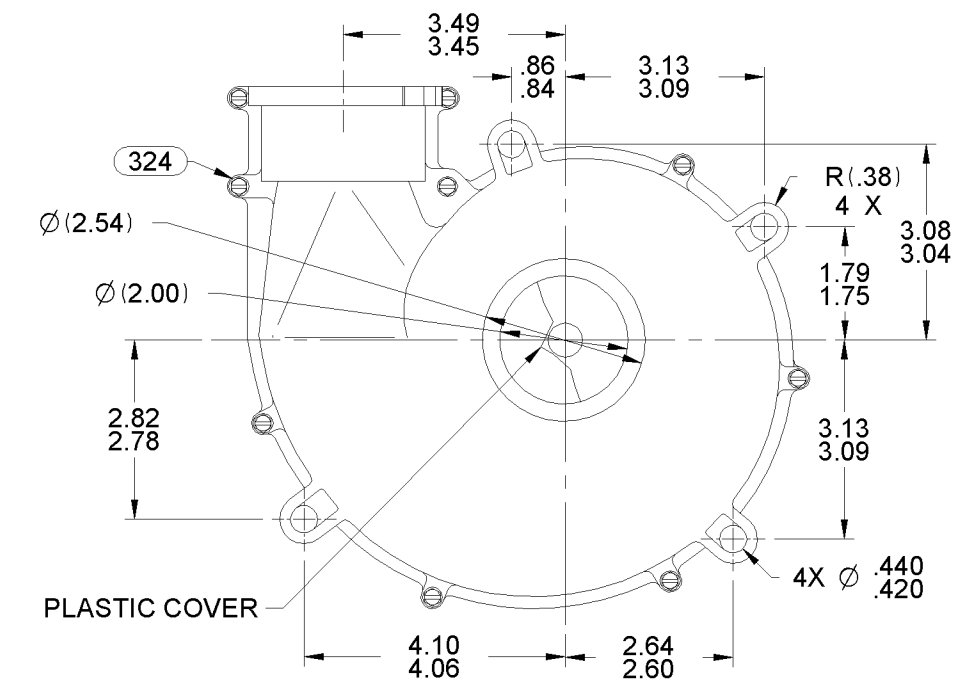
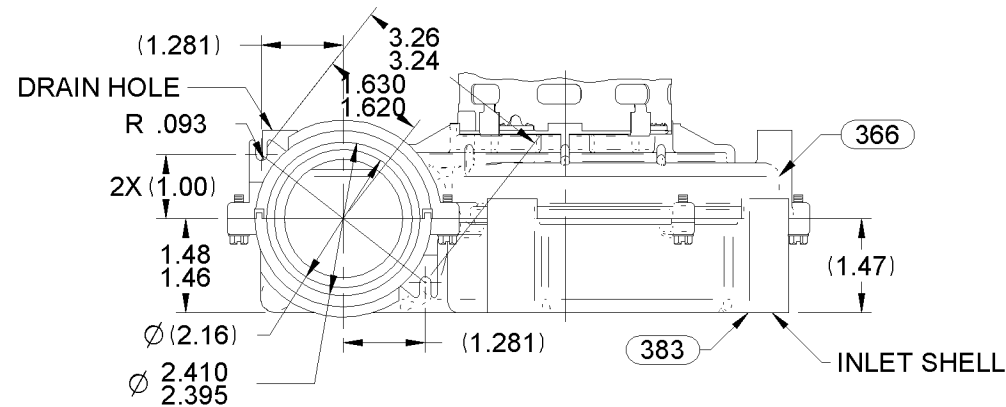
EXHAUST DETAIL

APPLICATION	FURNACE BLOWER							B	LA	FR	A	S	C	E	B	A
THERMALLY PROTECTED CLASS "B" INSULATION	416 S.S. SHAFT							PB	62	30	V	03	BV	5	3	C
CUSTOMER FASCO DIST																
CUSTOMER PART NO. A158																

LEAD MATERIAL  
 18 GA. 125°C. 4/64 INS.  
 EPDM. (1) BLACK,  
 AND (1) WHITE  
 30.00/28.00 IN. LONG  
 .81/.69" STRIP

CAPACITOR LEADS  
 18 GA. 125°C. 2/64 INS.  
 CROSS-LINKED POLYETHYLENE  
 (2) BROWN

GROUND LEAD MATERIAL  
 18 GA. 125°C. 2/64 INS.  
 CROSS-LINKED POLYETHYLENE  
 GRN/YEL, 19.00/17.00IN. LONG  
 W/RING TERM. 8902-0156  
 AMP #61794-1



PERFORMANCE TEST DATA				UNLESS OTHERWISE SPECIFIED DIMENSIONS ARE IN INCHES TOLERANCES ARE:		FASCO FASCO MOTORS GROUP AC MOTOR/BLOWER DIVISION	
TEST WITH INLET RESTRICTED TO 1 1/4 IN. TEST COMPLETE BLOWER AT 115 V. 60 HZ. WITH ENTERING AIR AT 70° ± 5° F.				FRACTIONS ± 1/16	DECIMALS .XX ± .01 .XXX ± .005	ANGLES ± 1°	CONFIDENTIAL: DO NOT DUPLICATE OR DISCLOSE TO THIRD PARTIES WITHOUT WRITTEN PERMISSION OF FASCO MOTORS GROUP, AC MOTOR/BLOWER DIVISION.
(A) BLOWER RPM TO READ 3420 RPM ± 20 (B) TOTAL NEGATIVE PRESSURE [ INCH W.C.] TO READ 2.2 /2.4 AT STANDARD AIR. * BLOWER ASSY. MUST BE ATTACHED TO FASCO "TEST BOX" FOR UNIT TESTING.				APPROVALS		DATE	
ECO. NO.	REV.	DATE	APPROVAL	DRAWN		DATE	TITLE
C440350	08	10-1-10	SED/RPT	ATM		11/25/03	BLOWER ASSEMBLY
4003742	09	11/14/11	MLM/SED	SSJ		11/25/03	
4007464	10	1129/2012	SED/MLM	CHECKED			SIZE B
BLOWER WEIGHT LBS.				END PLAY .025/.005		FINISH COLOR FLAT BLACK	
						DO NOT SCALE DRAWING	
						SHEET 1 OF 2	
						REV. 10	