

- NOTES:
- MEASURED WITH ENDPLAY PULLED OUT.
  - INSPECTION TEST FIXTURING IS REQUIRED.
  - STATIC TAP READING IS TO BE -1.4 MINIMUM CORRECTED TO STANDARD AIR (0.075 LB/FT<sup>3</sup>) WITH A 1 5/16" INLET RESTRICTOR.
  - PACK 1 PER CONTAINER, 80 MAX. PER PALLET, PACKING ASSY. 87854335, 16 CONTAINERS PER LAYER, 5 LAYERS PER PALLET, PER 88834200 AND 88834408.
  - CARTON LABELS MUST ALL FACE ONE DIRECTION TOWARD THE OPEN END OF THE PALLET. SEE 88834408.
  - NO PACKAGING TAPE OVER CARTON LABEL.

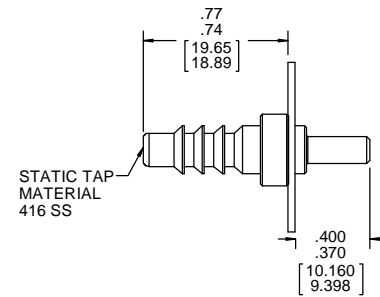
Uncontrolled Copy

THERMALLY PROTECTED  
CLASS "B" INSULATION  
416 SS SHAFT

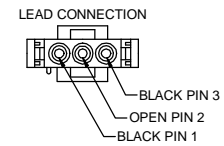
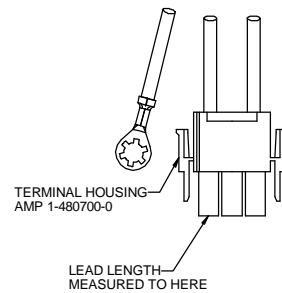
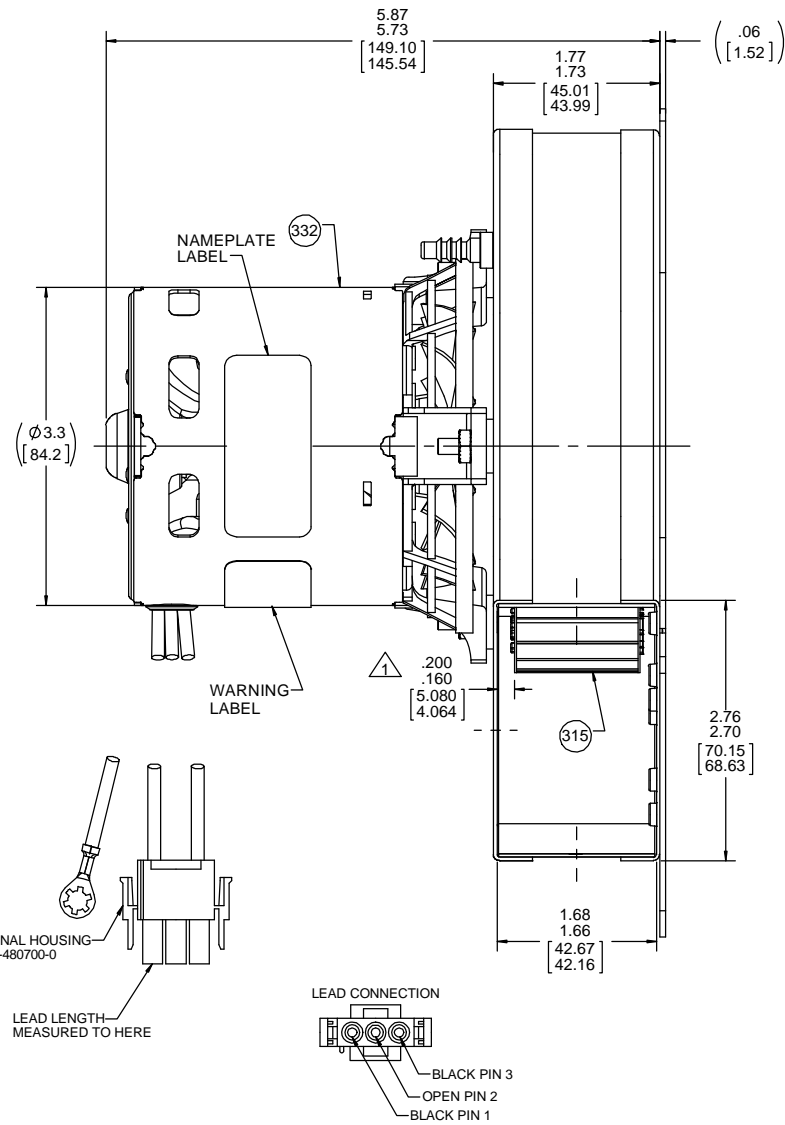
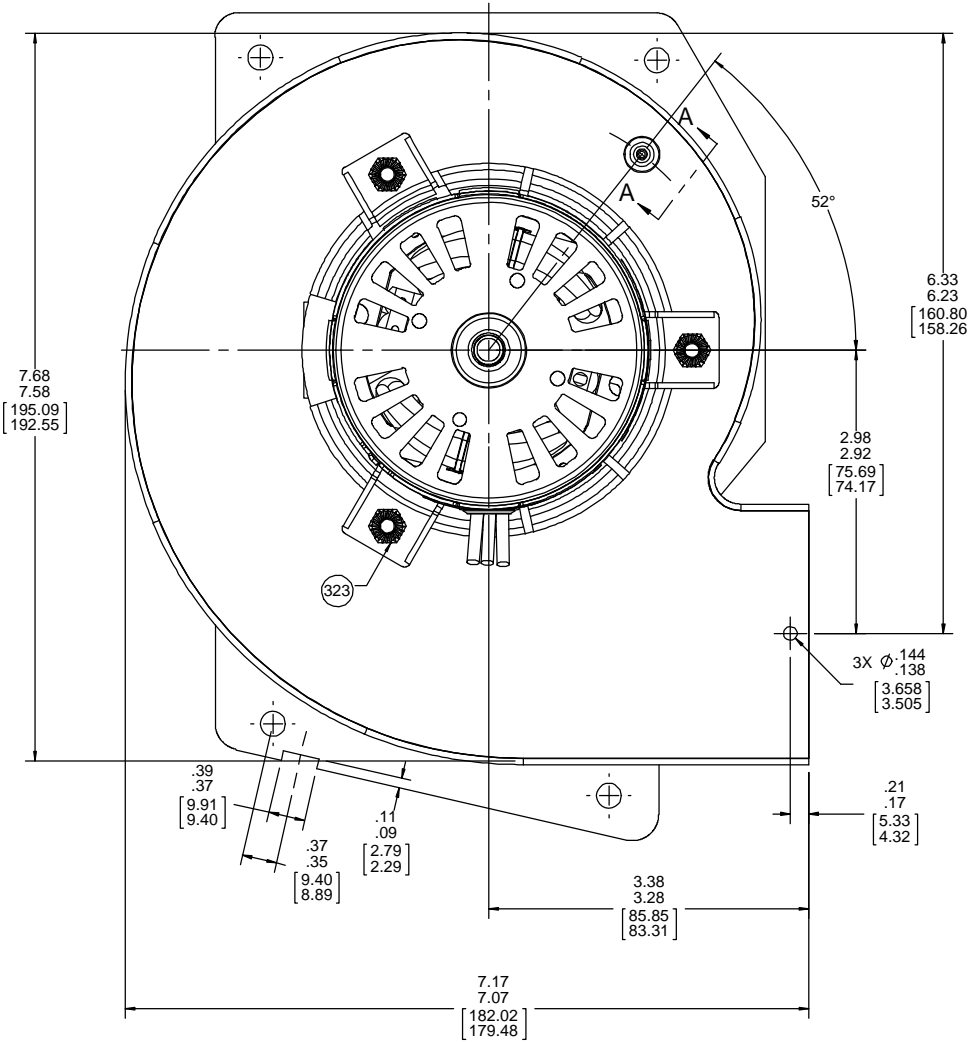
APPLICATION:	80% FURNACE	B	LA	FR	A	S	C	E	B	A
CUSTOMER:	FASCO DIST.	12	21	47	V	04	CW	5	3	0
CUSTOMER PN:	A156	BLOWER - NATURAL, MOTOR - FLAT BLACK								

LEAD MATERIAL  
18 GA. 125°C 4/64 INSUL.  
EPDM. (2) BLACK  
7.00/6.00 [177.80/152.40]  
SOCKET TERM.  
AMP 350537-1

GROUND LEAD MATERIAL  
18 GA. 125°C 2/64 INSUL.  
X-LINKED POLY. GRN/YEL  
13.00/11.00 [330.20/279.40]  
RING TERM.  
AMP 350436-2



SECTION A-A



TYPICAL PERFORMANCE TEST DATA  
WITH 1 5/16" INLET RESTRICTOR

AT 115 VOLTS 60 Hz

	RPM	WATTS	AMPS
	3213	77	1.02
BLOWER WEIGHT	5 LBS.		ENDPLAY .030/.010 [.762/.254]

DRAWING REVISION AA	REVISION BY PLA	DATE 8/31/2018	TOLERANCES UNLESS OTHERWISE SPECIFIED: DEC. INCH mm ANGLE .X ±0.1 [±2.5] ±1° .XX ±0.01 [±0.25] .XXX ±0.005 [±0.127] XXX ±0.0005 [±0.0127]	DRAWN BY PLA	DATE 8/31/2018	REGAL BELLOI AMERICA, INC.
ECO-0151838	APPROVED BY MLS	DATE 8/31/2018	APPROVED BY MLS	DATE 8/31/2018	DESCRIPTION OUTLINE	
ADDED STD. WARNING LABEL, REDRAWN ON SW			REMOVE BURRS & BREAK SHARP EDGES: .003/.015 [0.076/.381] X 45° CORNER FILLETS: R.02 [51]	DATE 8/31/2018	MATERIAL BLOWER ASSY	PROCESS/FINISH
BLOWER WEIGHT 5 LBS.			MACHINED SURFACES: 125/ INCR/ m/v	THIRD ANGLE PROJECTION	SIZE D	DRAWING NUMBER 702110828
RESTRICTIONS UNDER APPLICABLE EXPORT CONTROL LAWS AND REGULATIONS.						SHEET 1 OF 1