

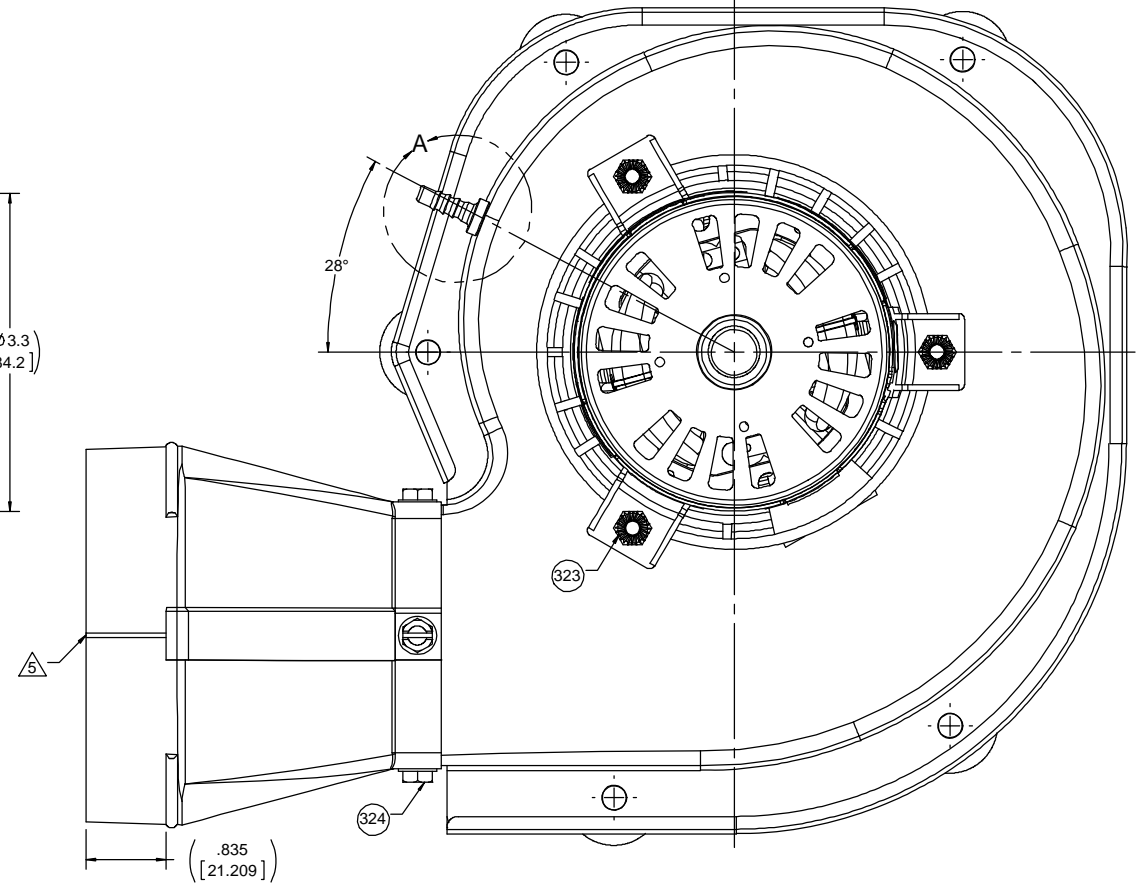
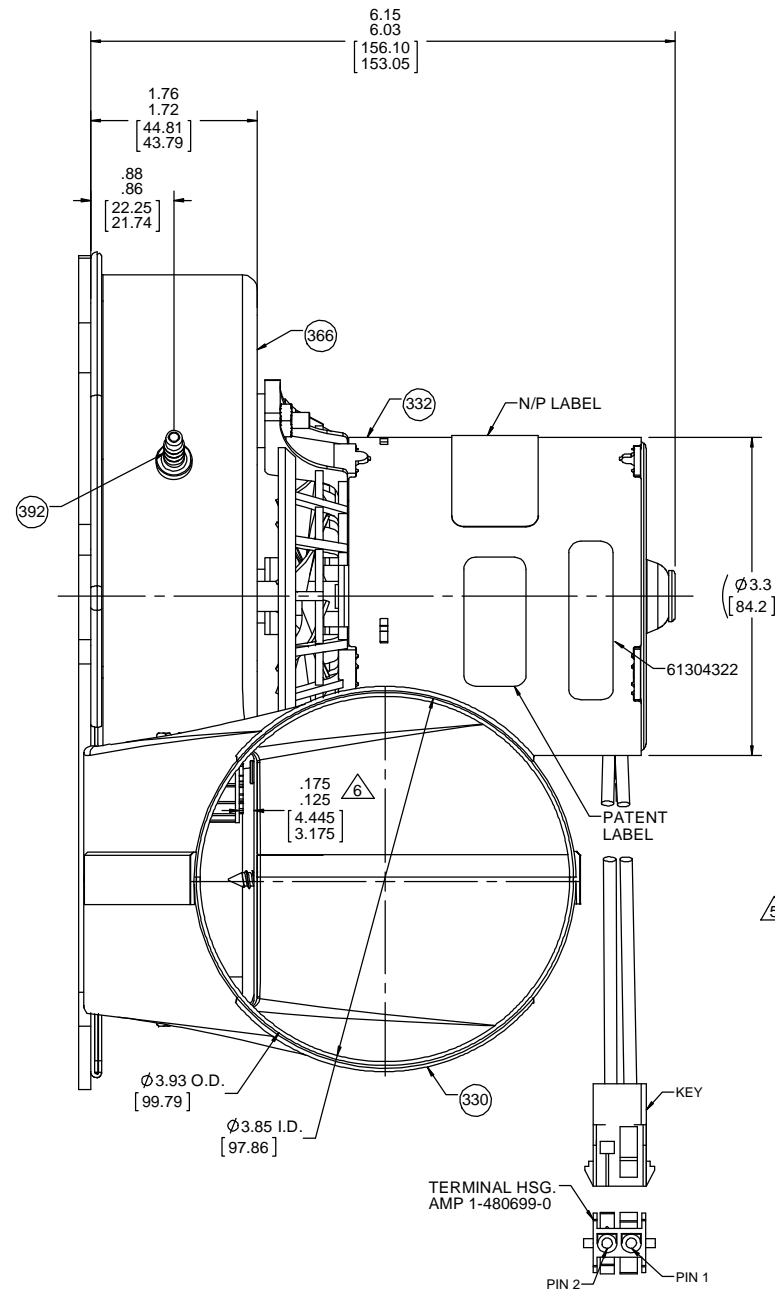
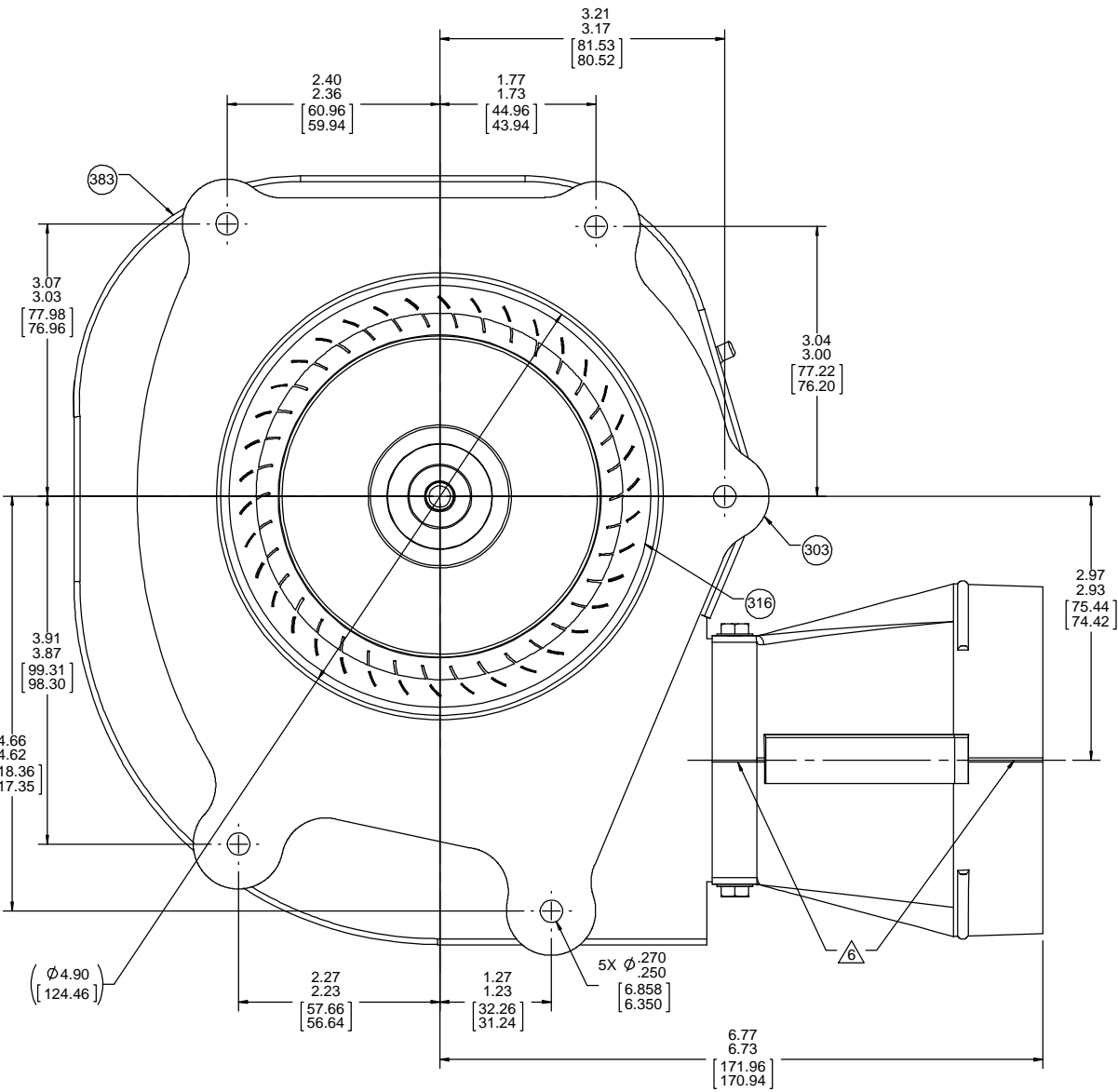
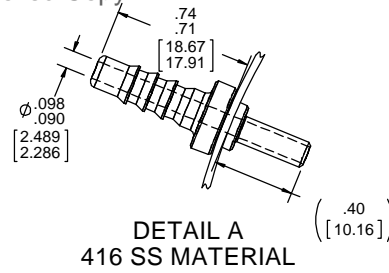
- NOTES:
- INSPECTION TEST FIXTURE IS REQUIRED.
 - STATIC TAP TO BE TIGHT AND SECURELY FASTENED.
 - STATIC TAP READING IS TO BE -1.48 MINIMUM CORRECTED TO STANDARD AIR (0.075 LB/FT³) WITH A 1 5/16 INLET RESTRICTOR.
 - PACK 1 PER CONTAINER, 9 CONTAINERS PER LAYER, 4 LAYERS PER PALLET, 36 MAX. PER PALLET, PACKING ASSY. 87854751, PER 88834200 AND 88834408.
 - .030 [.762] MAX. GAP ALLOWED.
 - DIMENSION MEASURED WITH END PLAY PUSHED TOWARD MOTOR.
 - CARTON LABELS MUST ALL FACE ONE DIRECTION TOWARD THE OPEN END OF THE PALLET. SEE 88834408.
 - NO PACKAGING TAPE OVER CARTON LABEL.

Uncontrolled Copy

THERMALLY PROTECTED
CLASS "B" INSULATION
SEALED BALL BEARING
416 SS SHAFT

APPLICATION:		B	LA	FR	A	S	C	E	B	A
CUSTOMER:	FASCO DIST.	GS	21	47	V	05	DA	5	0	0
CUSTOMER PN:	A155	FINISH: BLOWER-HOUSING, ALUMINIZED				MOTOR-FLAT BLACK				

LEAD MATERIAL
18 GA. 125°C 2/64 INSUL.
X-LINKED POLY.
(2) BLACK
7.00/5.00 [177.80/127.00]
W/SOCKET TERMS.
AMP 350536-1



61304322

US PATENT:
6314894, 6318358, 6468034
6494152, 6595146, 6895874
6902373, 6908281, 6929448

LOCATE IN CONVENIENT LOCATION

TYPICAL PERFORMANCE TEST DATA
WITH A 1 5/16 INLET RESTRICTOR

AT 115 VOLTS 60 Hz

	RPM	WATTS	AMPS
	3350	78	1.20
BLOWER WEIGHT			ENDPLAY
5.5 LBS.			.XX/XX

DRAWING REVISION	REVISION BY	DATE	TOLERANCES UNLESS OTHERWISE SPECIFIED:	DRAWN BY	MLS	DATE	9/28/2018	REGAL BELLOI AMERICA, INC.
AB	MLS	10/16/2018	DEC. INCH mm ANGLE ±1°	DATE	9/28/2018	APPROVED BY	FDP	DESCRIPTION
ECO-0154793	APPROVED BY	DATE	.X ±0.1 [±2.5]	DATE	9/28/2018	DATE	9/28/2018	OUTLINE
	FDP	10/16/2018	.XX ±0.01 [±0.25]	DATE	9/28/2018	REFERENCE		BLOWER ASSY
			.XXX ±0.005 [±0.127]	DATE	9/28/2018	MATERIAL		PROCESS/FINISH
			XXXX ±0.0005 [±0.0127]	DATE	9/28/2018	THIRD ANGLE PROJECTION		
			REMOVE BURRS & BREAK SHARP EDGES: .003/.015 [0.076/ 381] X 45° CORNER FILLETS: R.02 [51] MACHINED SURFACES: 125/ INCR/ 32/ mm SHOWN IN [BRACKETS]	DATE	9/28/2018	SIZE	D	DRAWING NUMBER
			PROPRIETARY AND CONFIDENTIAL INFORMATION - THIS DOCUMENT IS THE PROPERTY OF REGAL BELLOI AMERICA, INC. CONCEPT AND CONTENT ARE CONFIDENTIAL AND PROPRIETARY INFORMATION. ANY PERSON, CORPORATION OR OTHER FIRM RECEIVING IT IS DEEMED, BY RECEIVING IT, TO AGREE THAT IT, AND/OR ANY PART OF IT, SHALL NOT BE DISCLOSED TO ANY PERSON, CORPORATION OR OTHER ENTITY, DUPLICATED, AND/OR USED, EXCEPT AS EXPRESSLY APPROVED IN WRITING IN ADVANCE BY OWNER. THIS DOCUMENT SHALL BE RETURNED TO OWNER UPON REQUEST. IT MAY BE SUBJECT TO CERTAIN RESTRICTIONS UNDER APPLICABLE EXPORT CONTROL LAWS AND REGULATIONS.	DATE	9/28/2018	1	702110827	SHEET
				DATE	9/28/2018	1	702110827	1 OF 1