

THERMALLY PROTECTED
CLASS "B" INSULATION
416 S.S. SHAFT

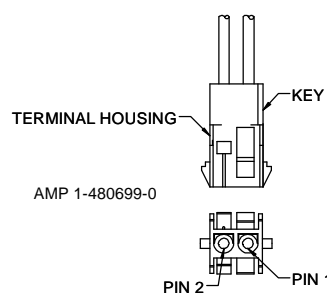
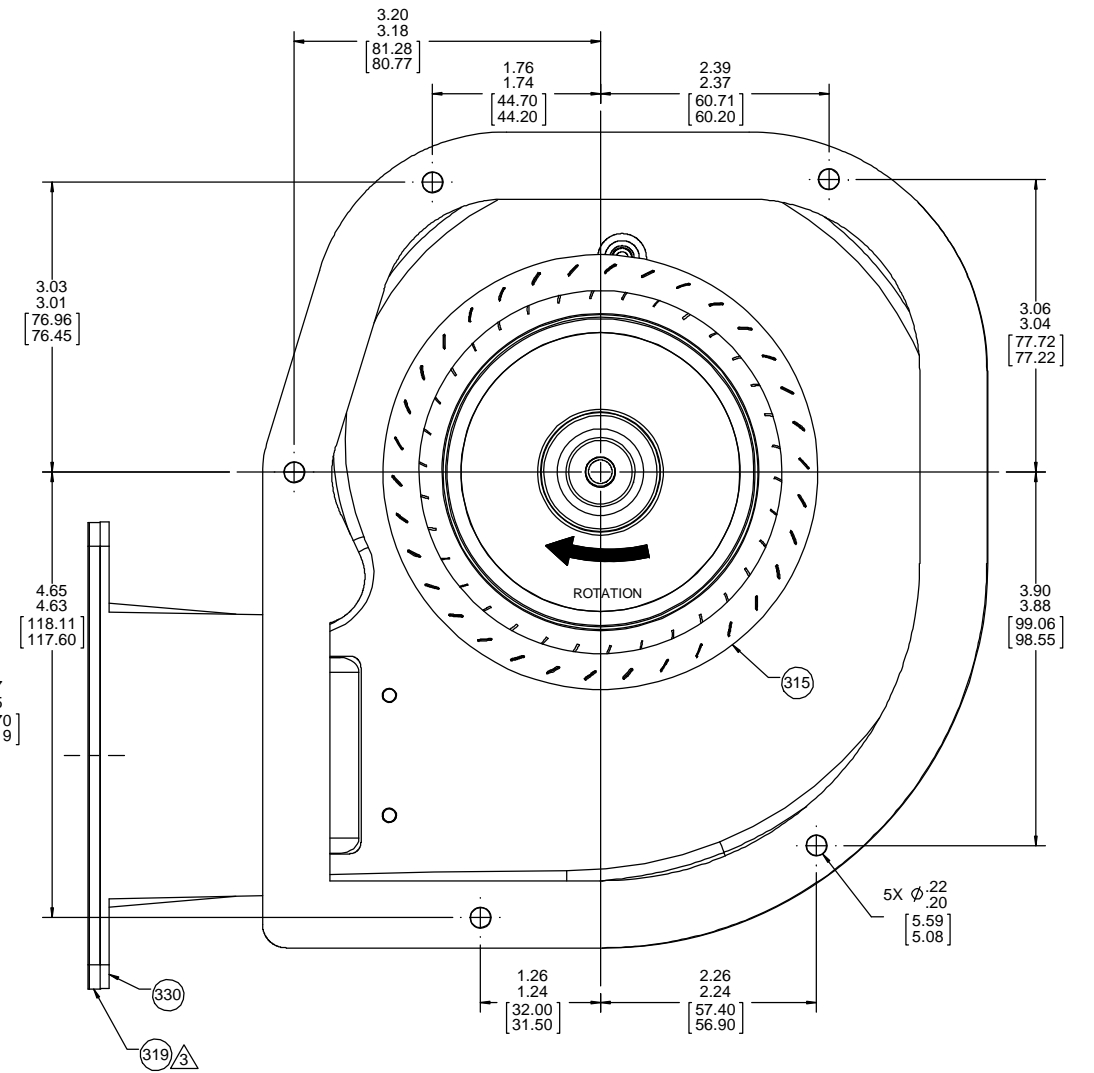
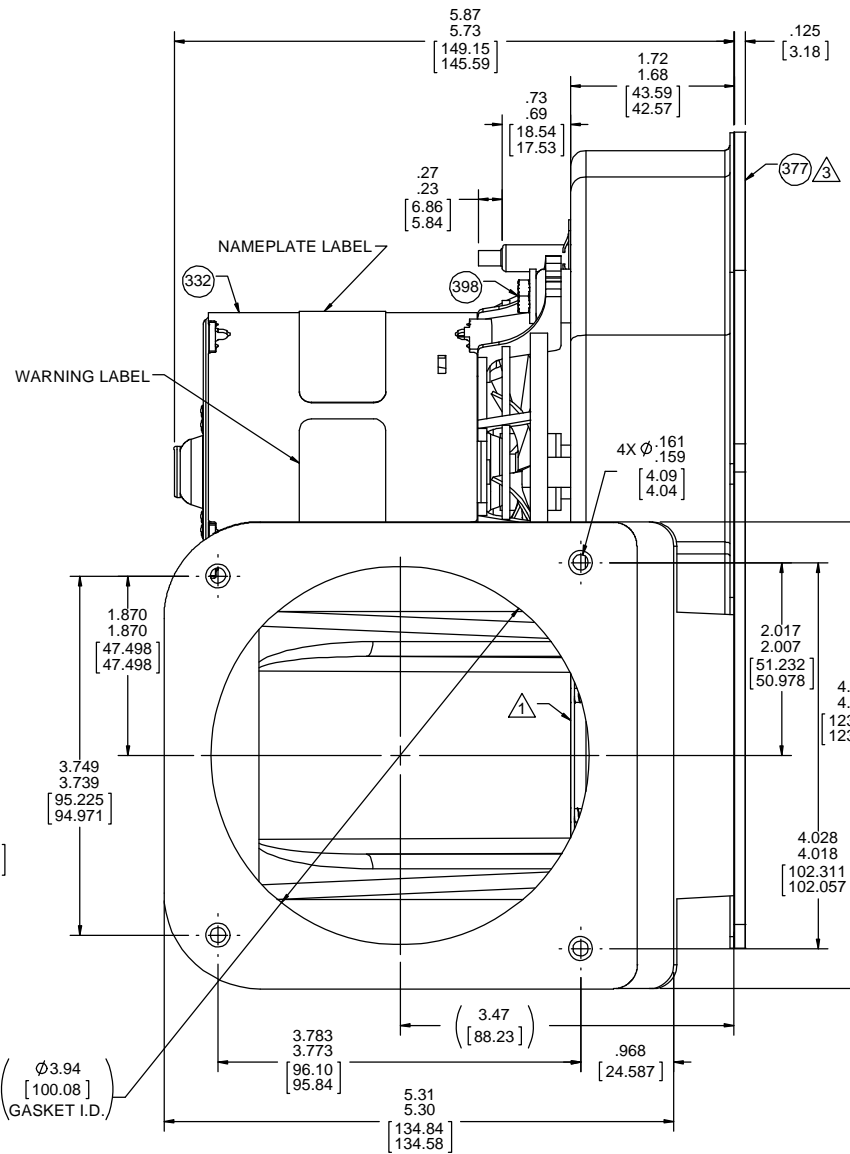
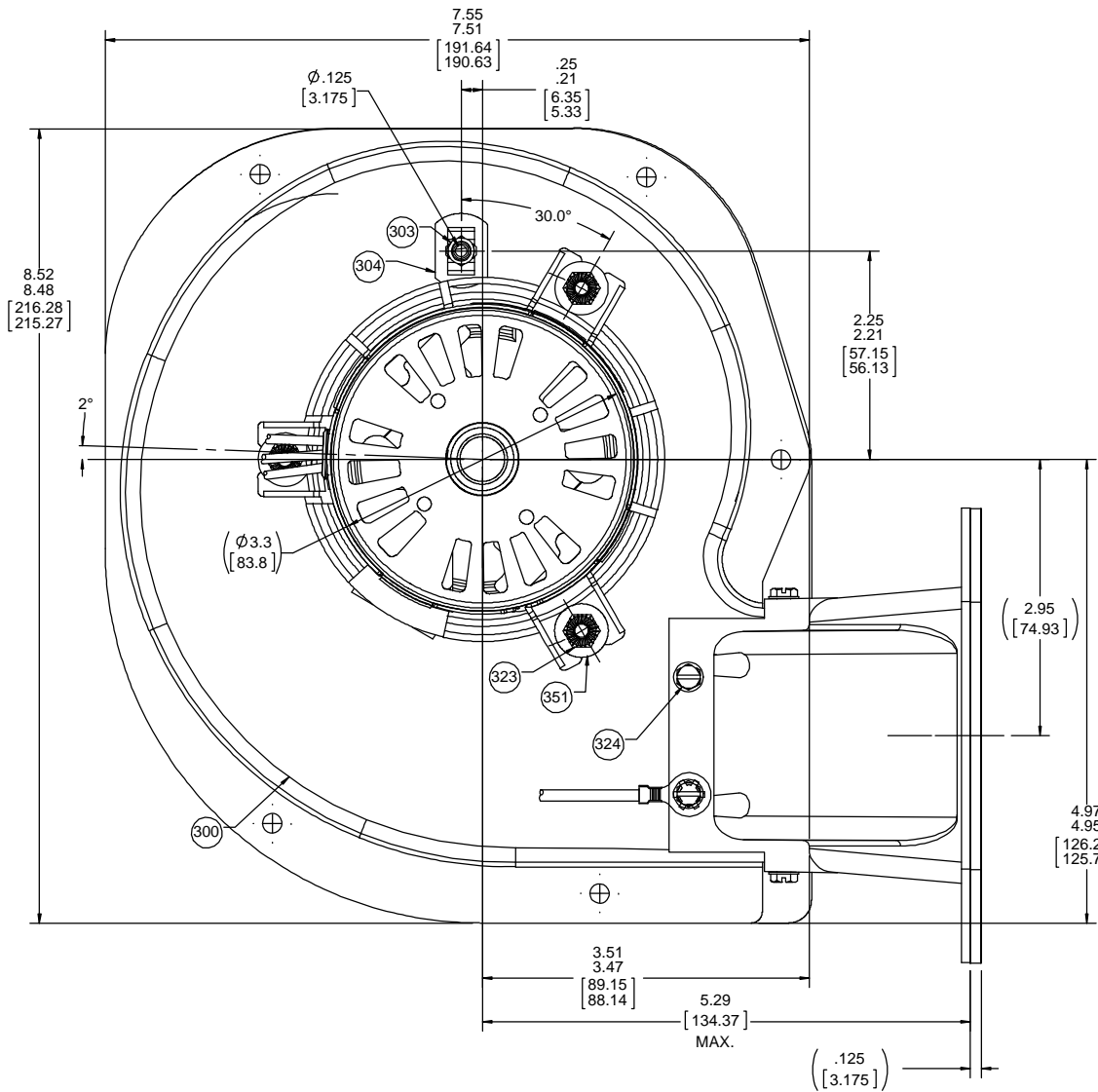
APPLICATION:	80+ FURNACE	B	LA	FR	A	S	C	E	B	A
CUSTOMER:	FASCO DIST.	HS	21	47	V	04	EN	5	3	0
CUSTOMER PN:	A154	FINISH: BLOWER-NATURAL, MOTOR: FLAT BLACK								

NOTES:

- LOCATE IMPELLER .18/13 [4.572/330.2] FROM INSIDE OF HOUSING WITH ENDPLOY PUSHED IN.
- ATTACH SERRATED MOTOR GROUND TERMINAL UNDER PC 324 SCREW AS SHOWN.
- PC 319 AND 377 GASKETS TO BE POSITIONED AS SHOWN AND SECURED IN PLACE WITH PSA.
- INSPECTION TEST FIXTURE IS REQUIRED.
- STATIC TAP READING IS TO BE -1.00 TO -1.21 CORRECTED TO STANDARD AIR (0.075 LB/FT³) WITH A 1.125" INLET RESTRICTOR.
- PACK 1 PER CONTAINER, 36 MAX PER PALLET, PACKING ASSY.87854751, 9 CONTAINERS PER LAYER, 4 LAYERS PER PALLET, 88834200.
- CARTON LABELS MUST ALL FACE ONE DIRECTION TOWARD THE OPEN END OF THE PALLET. SEE 88834408.
- NO PACKING TAPE OVER CARTON LABEL.

LEAD MATERIAL
18 GA. 125°C 2/64 INSUL.
EPDM. (2) BLACK
9.00/7.00 [228.6/177.8]
W/ PIN TERMS.
AMP 350538-1

GROUND LEAD MATERIAL
18 GA. 125°C 2/64 INSUL.
X- LINKED POLY. GRN/YEL
9.00/7.00 [228.6/177.8]
W/ RING TERM
AMP 61794-1



TYPICAL PERFORMANCE TEST DATA WITH 1.125 INLET RESTRICTOR AT 115 VOLTS 60 Hz			
	RPM	WATTS	AMPS
	3369	74.3	1.06
BLOWER WEIGHT LBS.		ENDPLAY 030/010 [0.762/0.254]	

DRAWING REVISION AA	REVISION BY BWB	DATE 9/25/2018	TOLERANCES UNLESS OTHERWISE SPECIFIED: DEC. INCH mm ANGLE .X ±0.1 [±2.5] .XX ±0.01 [±0.25] .XXX ±0.005 [±0.127] XXX ±0.005 [±0.127]	DRAWN BY BWB	DATE 9/25/2018	REGAL BELLOI AMERICA, INC.
ECO-0152603	APPROVED BY MLS	DATE 9/25/2018	REMOVE BURRS & BREAK SHARP EDGES: .003/.015 [0.076/.381] X 45° CORNER FILLETS: R.02 [51] MACHINED SURFACES: 125 INCR/ MIL	APPROVED BY MLS	DATE 9/25/2018	OUTLINE
REDRAWN TO SOLID WORKS			PROPRIETARY AND CONFIDENTIAL INFORMATION - THIS DOCUMENT IS THE PROPERTY OF REGAL BELLOI AMERICA, INC. CONCEPTS AND CONTENTS OWNERS PROPRIETARY INFORMATION. ANY PERSON, CORPORATION OR OTHER FIRM RECEIVING IT IS DEEMED, BY RECEIVING IT, TO AGREE THAT IT, AND/OR ANY PART OF IT, SHALL NOT BE DISCLOSED TO ANY PERSON, CORPORATION OR OTHER ENTITY, DUPLICATED, AND/OR USED, EXCEPT AS EXPRESSLY APPROVED IN WRITING IN ADVANCE BY OWNER. THIS DOCUMENT SHALL BE RETURNED TO OWNER UPON REQUEST. IT MAY BE SUBJECT TO CERTAIN RESTRICTIONS UNDER APPLICABLE EXPORT CONTROL LAWS AND REGULATIONS.	REFERENCE	MATERIAL	PROCESS/FINISH FLAT BLACK
THIRD ANGLE PROJECTION				SIZE D	DRAWING NUMBER 702110826	SHEET 1 OF 1