

NOTES:

1. LOCATE IMPELLER .164/.084 FROM I.D. OF HOUSING.
2. INSPECTION TEST FIXTURE IS REQUIRED.
3. PACK 1 PER CONTAINER, 125 MAX. PER PALLET, PACKING ASSY. 87854672, 25 CONTAINERS PER LAYER, 5 LAYERS PER PALLET, P.S. 88834200 AND P.S. 88834408.
4. CARTON LABELS MUST ALL FACE ONE DIRECTION TOWARD THE OPEN END OF THE PALLET. SEE P.S. 88834408.
5. NO PACKAGING TAPE OVER CARTON LABEL.

APPLICATION REPL. DRAFT INDUCER MOTOR

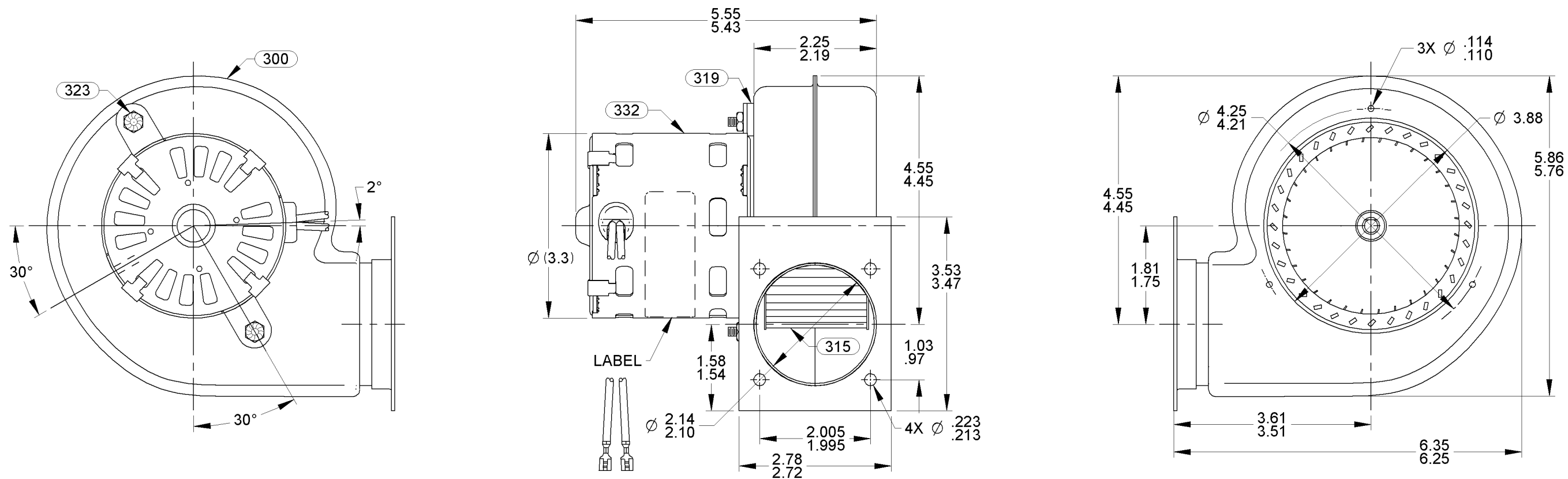
B	LA	FR	A	S	C	E	B	A
06	21	30	V	02	JB	5	3	0

THERMALLY PROTECTED  
CLASS "B" INSULATION

CUSTOMER FASCO DIST.

CUSTOMER PART NO. A151

LEAD MATERIAL  
18 GA. 125°C 4/64 INSUL.  
EPDM. BLK  
26.00/24.00 IN. LONG  
W/ FSPADE TERMS. 89039169  
AMP 42692-2



TYPICAL PERFORMANCE TEST DATA WITH A 2.06 DIA. INLET RESTRICTOR

AT 230 VOLTS 60 HZ.

ECO. NO.	REV.	DATE	APPROVAL
4002287	06	06/08/11	MLM/KSA
4007398	07	11/26/2012	PLA/SDM
4009367	08	6/4/2013	MLS/SDM
4009970	09	8/8/2013	SDM/PLA

R.P.M.	WATTS	AMPS
2719	44	.28
BLOWER WEIGHT 3.25 LBS.		END PLAY .030/.010

UNLESS OTHERWISE SPECIFIED DIMENSIONS ARE IN INCHES TOLERANCES ARE:  
FRACTIONS ± 1/16  
DECIMALS XX ± .01  
XXX ± .005  
ANGLES ± 1°

APPROVALS	DATE
DRAWN ATM	7-6-2005
CHECKED SRM	7-6-2005
FINISH COLOR	BLACK

**FASCO** FASCO MOTORS GROUP  
AC MOTOR/BLOWER DIVISION

CONFIDENTIAL: DO NOT DUPLICATE OR DISCLOSE TO THIRD PARTIES WITHOUT WRITTEN PERMISSION OF FASCO MOTORS GROUP, AC MOTOR/BLOWER DIVISION.

TITLE <b>BLOWER ASSEMBLY</b>		
SIZE <b>B</b>	DWG. NO. 7021 9740	REV. 09
DO NOT SCALE DRAWING		SHEET 1 OF 1