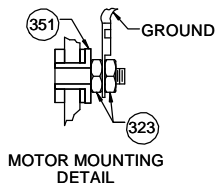


- NOTES:
- ASSEMBLE GROUND STRAP BETWEEN (2) PC 323 NUTS.
  - 100% HI POT 1500V FOR ONE SECOND.
  - AUDIT VIBRATION PERIODICALLY TO INSURE .0025 MAX. DISPLACEMENT.
  - INSPECTION TEST FIXTURING IS REQUIRED.
  - PACK 1 PER CONTAINER, 16 CONTAINERS PER LAYER, 5 LAYERS PER PALLET, 80 MAX. PER PALLET, PACKING ASSY. 87854335, PER 88834200 AND 88834408.
  - CARTON LABELS MUST ALL FACE ONE DIRECTION TOWARD THE OPEN END OF THE PALLET. SEE 88834408.
  - NO PACKAGING TAPE OVER CARTON LABEL.

Uncontrolled Copy



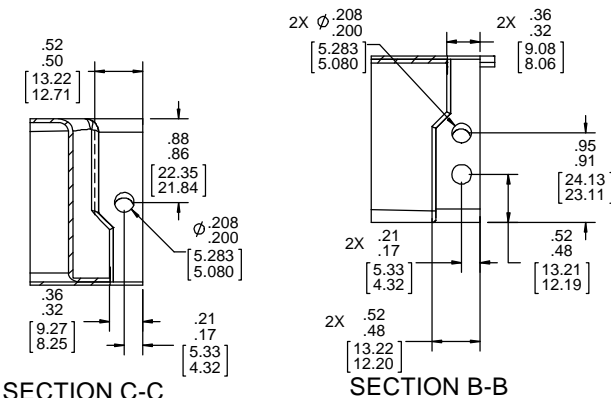
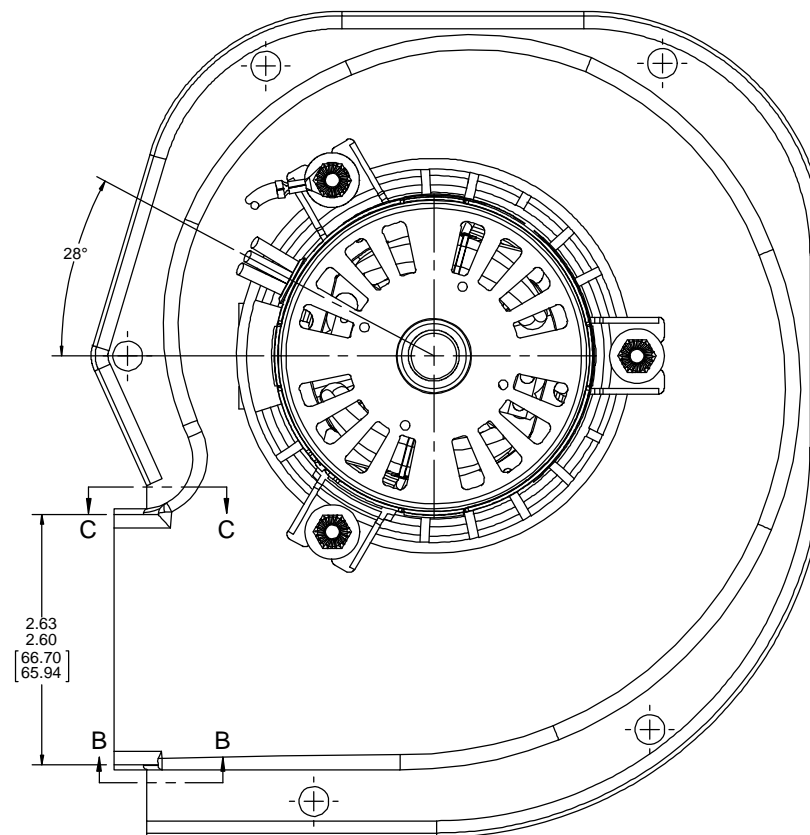
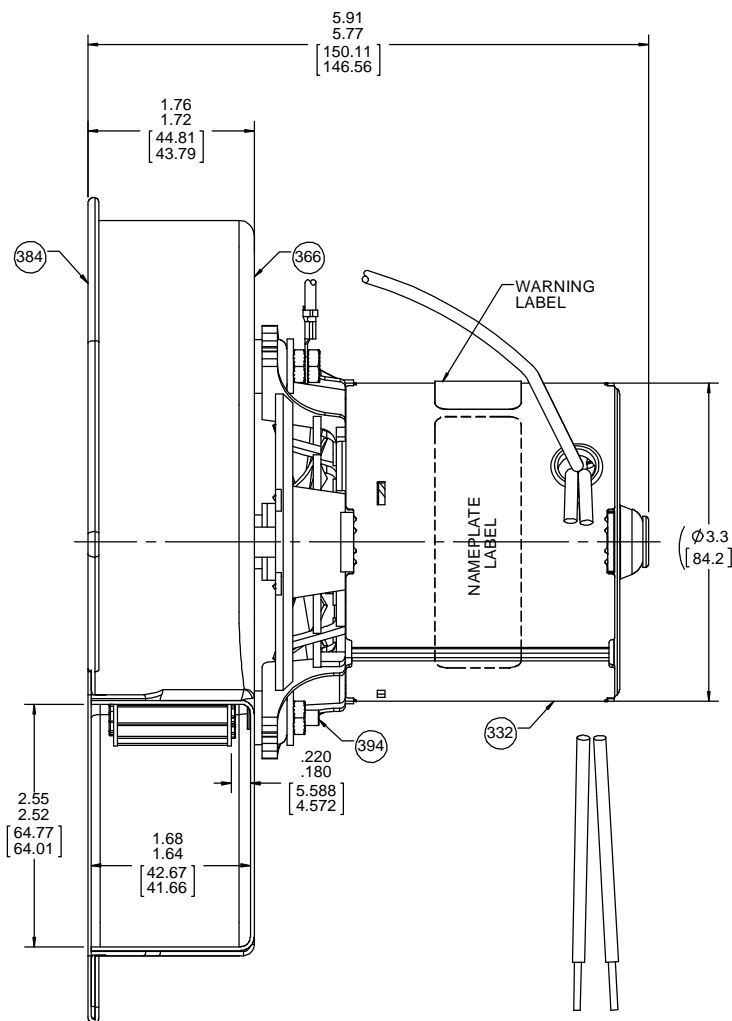
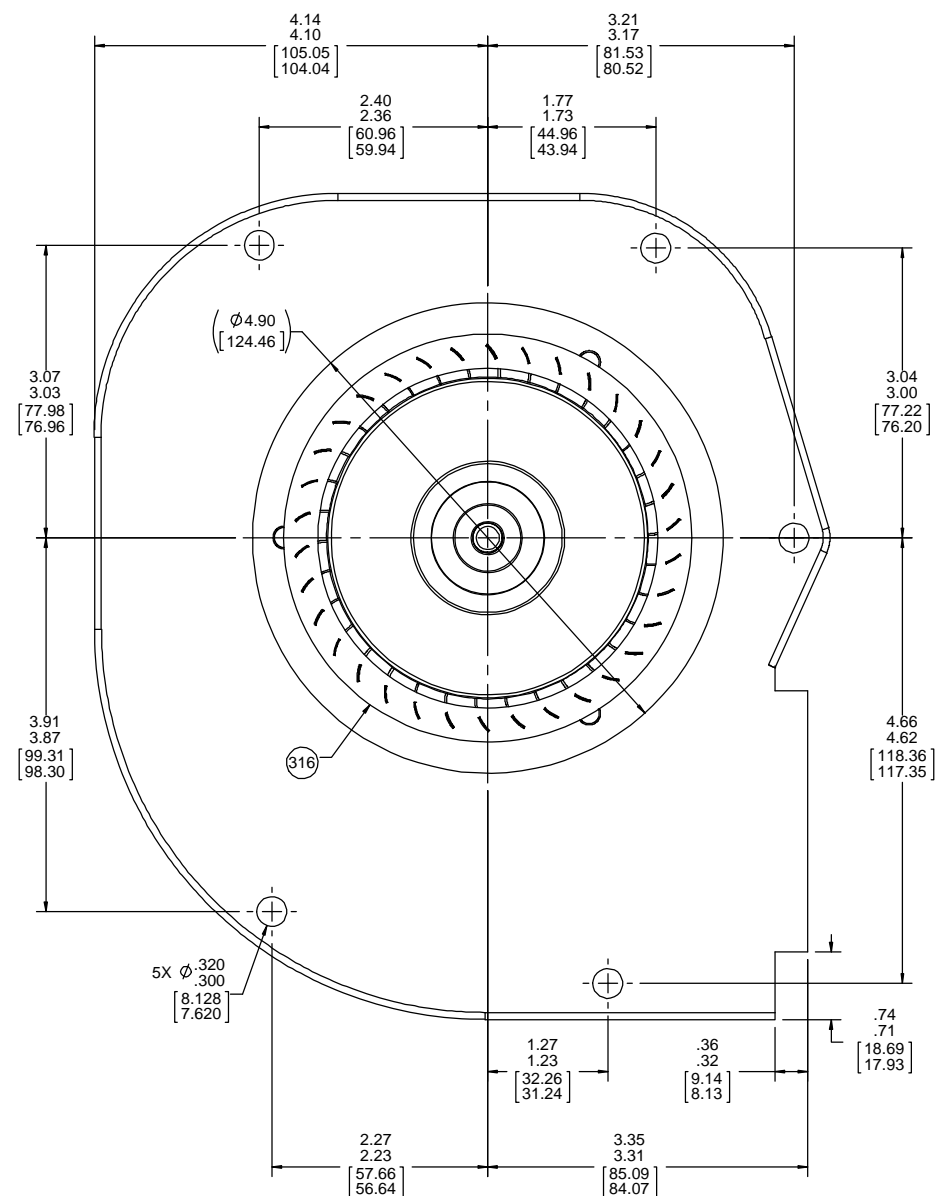
Connection Diagram  
 Blk—Common  
 Red—230 V  
 Grn/Yel—Grd

THERMALLY PROTECTED  
 CLASS "B" INSULATION  
 SEALED BALL BEARING  
 416 SS SHAFT

APPLICATION:	FURNACE DRAFT INDUCER	B	LA	FR	A	S	C	E	B	A
CUSTOMER:	FASCO DIST.	GS	21	47	V	02	HR	5	0	0
CUSTOMER PN:	A150	FINISH: BLOWER-ALUMINIZED HOUSING, MOTOR-FLAT BLACK								

LEAD MATERIAL  
 18 GA. 125°C 2/64 INSUL.  
 EPDM  
 (1) BLACK, (1) RED  
 25.00/23.00 [635.00/584.20]  
 .56/.44 [14.22/11.18] STRIP

GROUND LEAD MATERIAL  
 18 GA. 125°C 5/64 INSUL.  
 X-LINKED POLY.  
 GRN/YEL  
 6.00/4.00 [152.40/101.60]  
 W/RING TERM.  
 AMP 61794-1



TYPICAL PERFORMANCE TEST DATA  
 WITH 1 5/16 INLET RESTRICTOR

AT 240 VOLTS 60 Hz

	RPM	WATTS	AMPS
	3336	66	.47

BLOWER WEIGHT 4.25 LBS.  
 ENDPLAY .XX/XX

DRAWING REVISION AA	REVISION BY MLS	DATE 8/10/2018	TOLERANCES UNLESS OTHERWISE SPECIFIED: DEC. INCH mm ANGLE .X ±0.1 (#2.5) ±1° .XX ±0.01 (#0.25) .XXX ±0.005 (#0.127) XXX ±0.0005 (#0.0127)	DRAWN BY MLS	DATE 8/10/2018	REGAL Beloit America, Inc.
ECO-0150320	APPROVED BY SDM	DATE 8/10/2018	REMOVED BURRS & BREAK SHARP EDGES: .003/.015 [.076/.381] X 45° CORNER FILLETS: R.02 [.51]	APPROVED BY SDM	DATE 8/10/2018	DESCRIPTION OUTLINE
REDRAWN TO SOLIDWORKS			PROPRIETARY AND CONFIDENTIAL INFORMATION. THIS DOCUMENT IS THE PROPERTY OF REGAL BELLOIT AMERICA, INC. CONSENT AND CONFIRMATION OF OWNERS PROPRIETARY INFORMATION, ANY PERSON, CORPORATION OR OTHER FIRM RECEIVING IT IS DEEMED, BY RECEIVING IT, TO AGREE THAT IT, AND/OR ANY PART OF IT, SHALL NOT BE DISCLOSED TO ANY PERSON, CORPORATION OR OTHER ENTITY, DUPLICATED, AND/OR USED, EXCEPT AS EXPRESSLY APPROVED IN WRITING IN ADVANCE BY OWNER. THIS DOCUMENT SHALL BE RETURNED TO OWNER UPON REQUEST. IT MAY BE SUBJECT TO CERTAIN RESTRICTIONS UNDER APPLICABLE EXPORT CONTROL LAWS AND REGULATIONS.	DATE 8/10/2018	REFERENCE	MATERIAL PROCESS/FINISH
BLOWER WEIGHT 4.25 LBS.		ENDPLAY .XX/XX	THIRD ANGLE PROJECTION	SIZE D	DRAWING NUMBER 70219731	SHEET 1 OF 1