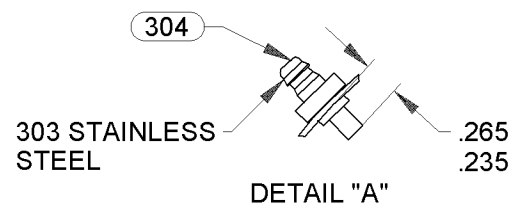


NOTES:

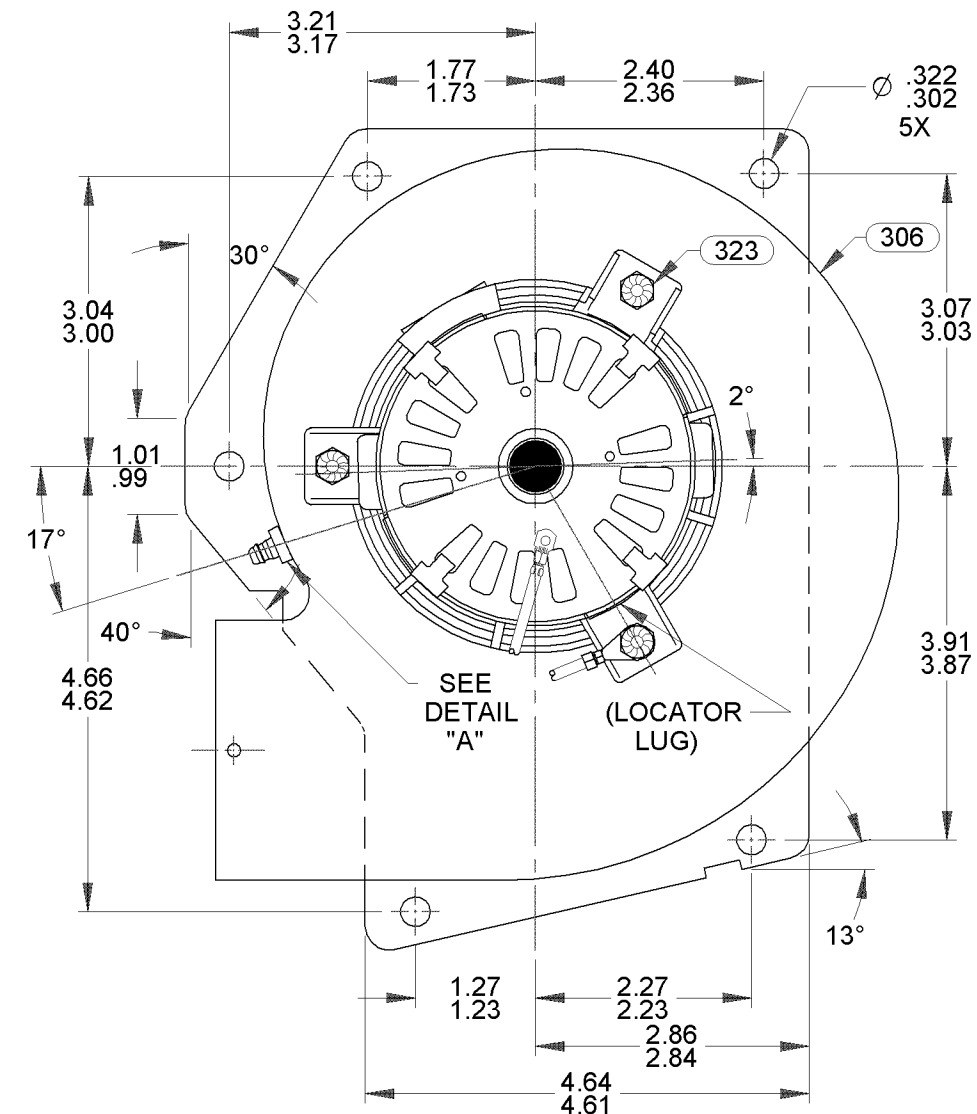
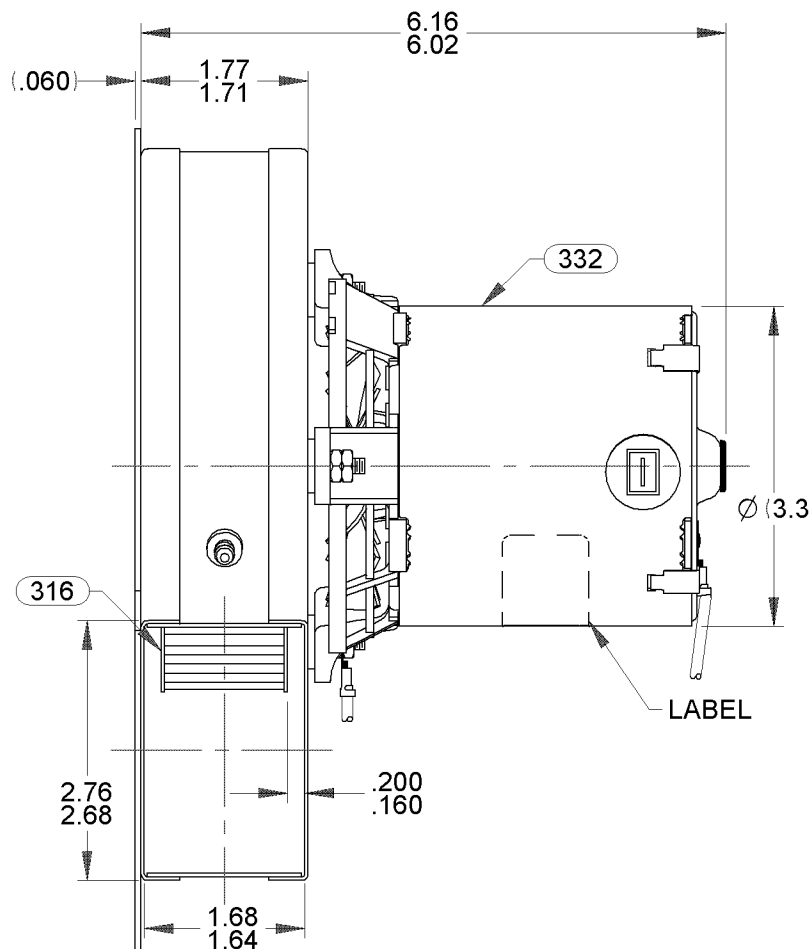
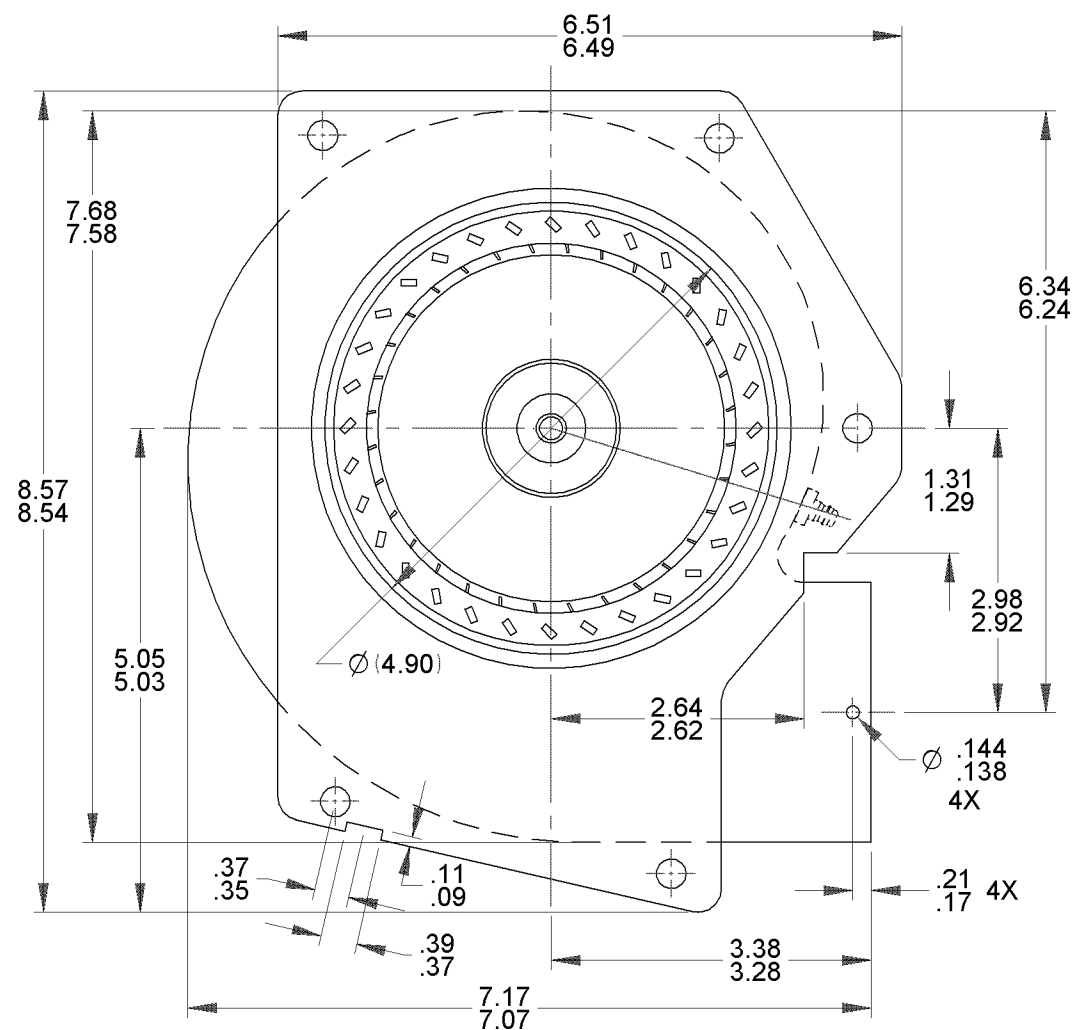
1. STATIC TAP TO BE TIGHT AND SECURELY FASTENED.
2. ASSEMBLE GROUND STRAP TERMINAL ON TOP OF PC 323 NUT AND SECURE WITH PC 323 NUT AT LOCATION SHOWN.
3. ASSEMBLE PC 323 NUTS (1) EACH ON REMAINING 2 STUDS OVER EXISTING NUTS.
4. NO STA-LOC IS REQUIRED ON IMPELLER.
5. IMPELLER SET SCREW MUST BE HEX DRIVE.
6. INSPECTION TEST FIXTURE IS REQUIRED.
7. BLOWER MUST START AT 183 VOLTS.
8. STATIC TAP IS TO BE 1.5 MINIMUM CORRECTED TO STANDARD AIR (0.075 LB/FT³) WITH A 1 5/16 INLET RESTRICTOR.
9. PACK 1 PER CONTAINER, 80 MAX. PER PALLET, PACKING ASSY. 87854335, 16 CONTAINERS PER LAYER, 5 LAYERS PER PALLET, P.S. 88834200 AND P.S. 88834408.
10. CARTON LABELS MUST ALL FACE ONE DIRECTION TOWARD OPEN END OF PALLET. SEE P.S. 88834408.
11. NO PACKAGING TAPE OVER CARTON LABEL.



APPLICATION	B	LA	FR	A	S	C	E	B	A
THERMALLY PROTECTED CLASS "B" INSULATION 416 S.S. SHAFT	12	21	47	V	04	DY	5	3	0
CUSTOMER	FASCO DIST.								
CUSTOMER PART NO.	A148								

LEAD MATERIAL
 18 GA. 125°C 2/64 INSUL.
 X-LINKED POLY. (2) BLK
 W/MSPADE TERMS. 89034133
 HEYCO 4836
 W/TERM. BUSHINGS
 88274001
 HEYCO 4042

GROUND LEAD MATERIAL
 18 GA. 125°C 2/64 INSUL.
 X-LINKED POLY. GRN/YEL
 6.50/5.50 IN. LONG
 W/RING TERM. 89020156
 AMP 61794-1



TYPICAL PERFORMANCE TEST DATA WITH 1 5/16 INLET RESTRICTOR.

AT	230	VOLTS	60	HZ.	
R.P.M.	3189	WATTS	55	AMPS	.36
BLOWER WEIGHT	4.75	LBS.	END PLAY	.030/.010	

UNLESS OTHERWISE SPECIFIED DIMENSIONS ARE IN INCHES TOLERANCES ARE:
 FRACTIONS ± 1/16
 DECIMALS XX ± .01
 ANGLES XXX ± .005

FASCO FASCO MOTORS GROUP
 AC MOTOR/BLOWER DIVISION

CONFIDENTIAL: DO NOT DUPLICATE OR DISCLOSE TO THIRD PARTIES WITHOUT WRITTEN PERMISSION OF FASCO MOTORS GROUP, AC MOTOR/BLOWER DIVISION.

ECO. NO.	REV.	DATE	APPROVAL
C440421	14	10/11/10	KSA/SMC
4002218	15	06/02/11	MLM/PLA
4009366	16	6/4/2013	MLS/SDM
4010435	17	9/30/2013	MLH/PLA

APPROVALS	DATE
DRAWN SDM	09/05/2005
CHECKED PLA	09/05/2005
FINISH COLOR	FLAT BLACK

TITLE BLOWER ASSEMBLY		
SIZE B	DWG. NO. 7021 9733	REV. 17
DO NOT SCALE DRAWING		SHEET 1 OF 1