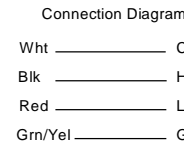
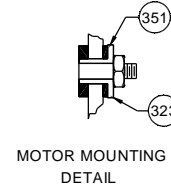


ORACLE PART REV. 014

THERMALLY PROTECTED  
CLASS "B" INSULATION  
416 S.S. SHAFT

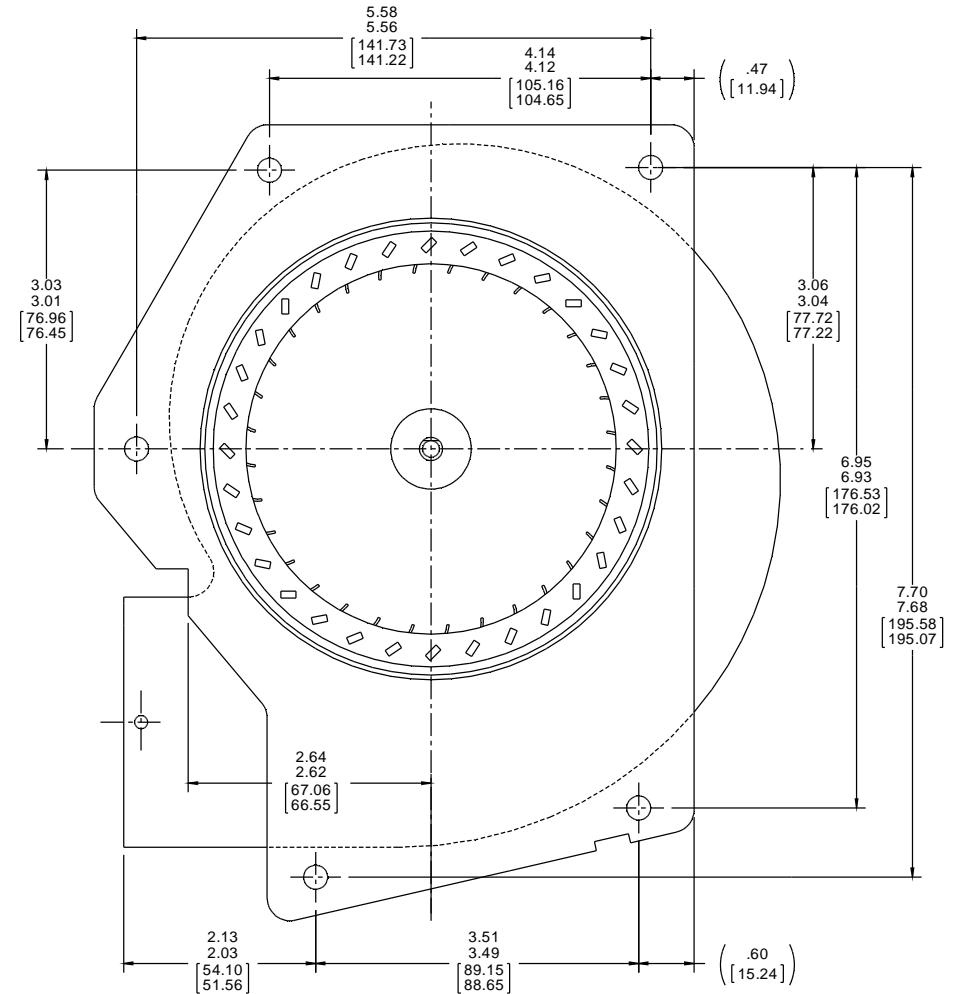
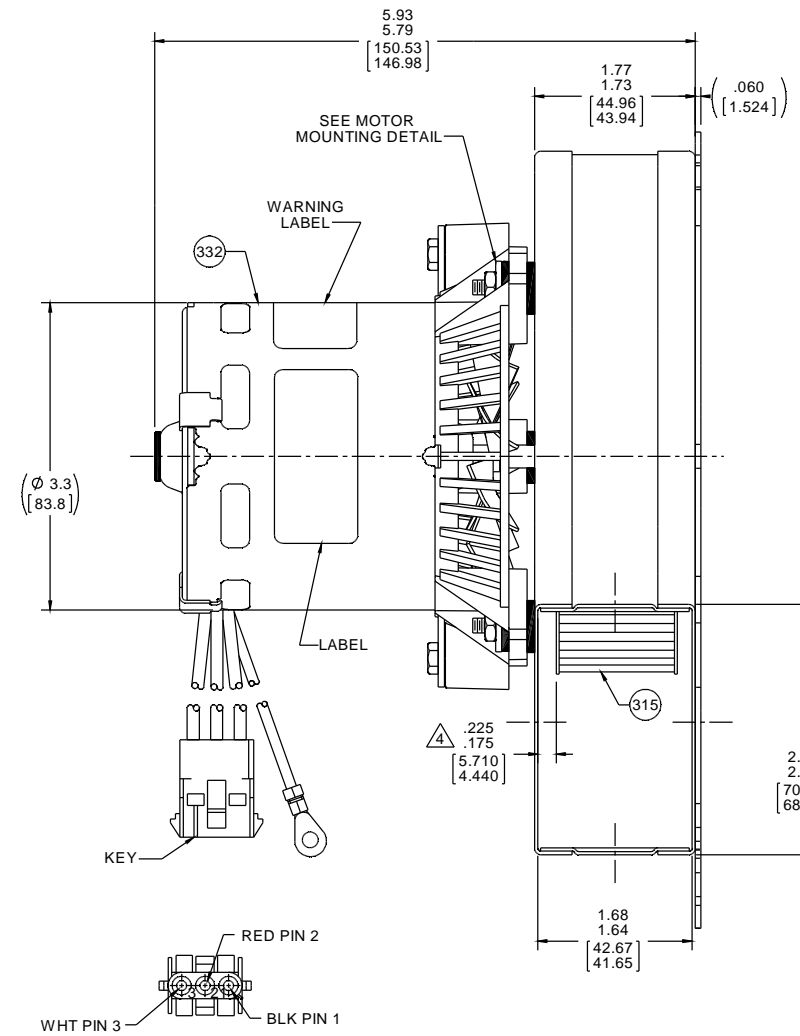
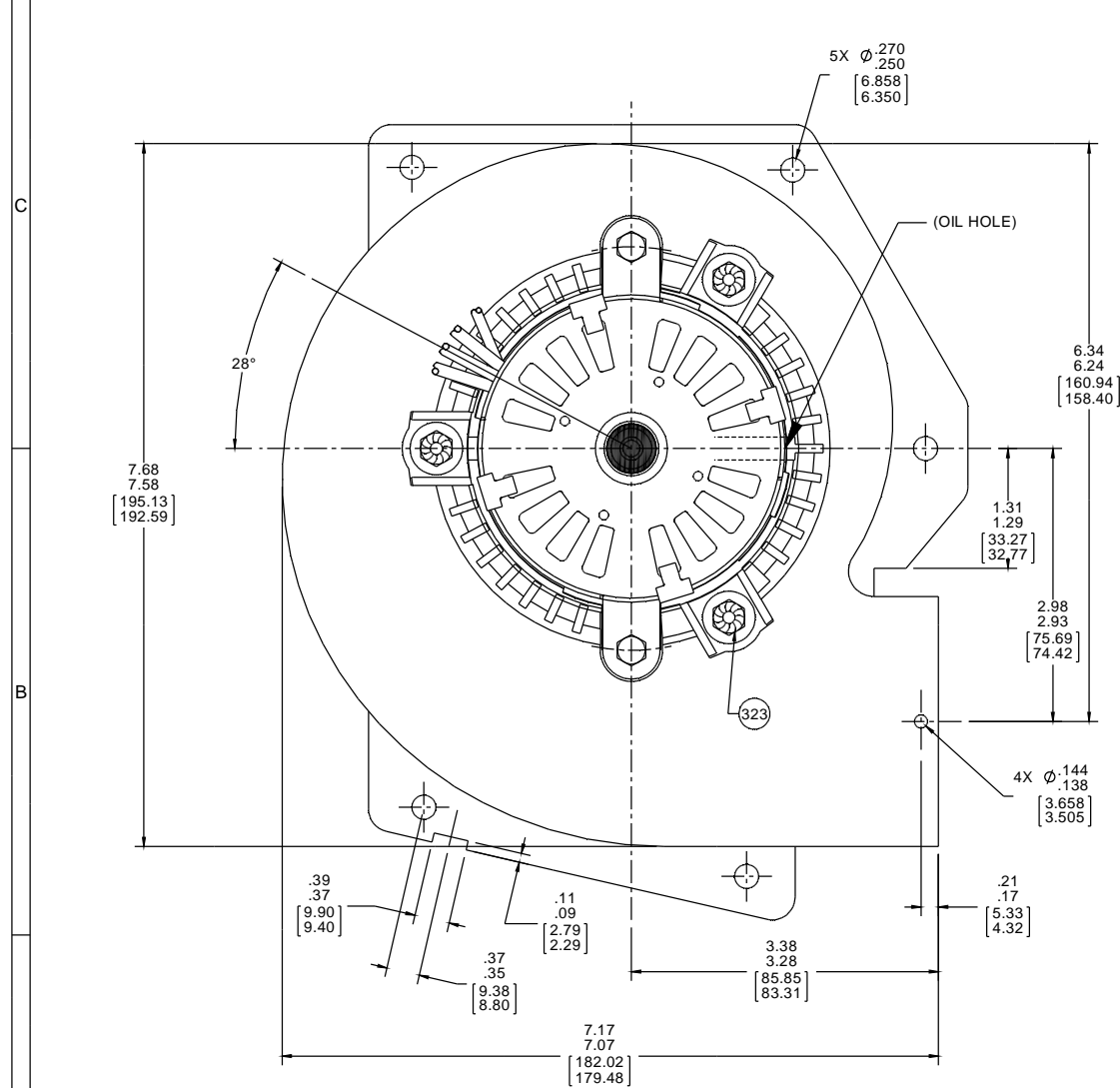
APPLICATION:	FURNACE DRAFT INDUCER	B	LA	FR	A	S	C	E	B	A
CUSTOMER:	FASCO DIST.	12	21	33	V	04	EG	6	1	0
CUSTOMER PN:	A146									

- NOTES:
- 100% HYPOT 1500 V. FOR 1 SECOND.
  - AUDIT VIBRATION PERIODICALLY TO INSURE .0025 MAX DISPLACEMENT.
  - NO STA-LOC REQUIRED ON IMPELLER OR FAN.
  - IMPELLER DIM. WITH END PLAY PUSHED TOWARD MOTOR.
  - INSPECTION TEST FIXTURING IS REQUIRED.
  - PACK 1 PER CONTAINER, 80 MAX. PER PALLET, PACKING ASSY. 87854335, 16 CONTAINERS PER LAYER, 5 LAYERS PER PALLET, P.S. 88834200 AND P.S. 88834408.
  - CARTON LABELS MUST ALL FACE ONE DIRECTION TOWARD THE OPEN END OF THE PALLET. SEE P.S. 88834408.
  - NO PACKING TAPE OVER CARTON LABEL.
  - BLOWER - NATURAL, MOTOR - FLAT BLACK



LEAD MATERIAL  
18 GA. 125°C 4/64 INSUL.  
X-LINKED POLY. (1) RED,  
(1) WHT, AND (1) BLK  
7.00/5.00 [177.80/127.00] IN. LONG  
TO END OF TERM. HOUSING  
W/PIN TERM. 89039166  
AMP 350538-1  
W/TERM. HSG. 89034021  
AMP 1-480701-0

GROUND LEAD MATERIAL  
18 GA. 125°C 2/64 INSUL.  
X-LINKED POLY. GRN/YEL  
18.00/16.00 [457.20/406.40] IN. LONG  
W/RING TERM. 89039009  
AMP 40955



TYPICAL PERFORMANCE TEST DATA  
WITH 1 5/16" INLET RESTRICTOR  
AT 115 VOLTS 60 Hz

	RPM	WATTS	AMPS
HIGH	2830	95.4	1.18
LOW	1296	29.7	.39
BLOWER WEIGHT LBS.		ENDPLAY .030/.010	

DRAWING REVISION R	REVISION BY PLA	DATE 1/16/2015	TOLERANCES UNLESS OTHERWISE SPECIFIED: DEC. INCH ±.01 [±.25] ANGLES ±.5°	DRAWN BY PLA	DATE 1/16/2015	APPROVED BY BGP	DESCRIPTION BLOWER ASSY	MATERIAL	PROCESS/FINISH	SIZE D	DRAWING NUMBER 70219416	SHEET 1 OF 1
ECD-0068871	APPROVED BY BGP	DATE 1/16/2015	XXX ±0.005 [±0.127] XXX ±0.0005 [±0.0127] REMOVE BURRS & BREAK SHARP EDGES: .003/.015 [0.076/.381] CORNER FILLETS: .02 [±.51] MACHINED SURFACES: .125 INCH V 3/32 INCH V 3/32 mm SHOWN IN [BRACKETS]	DATE 1/16/2015	APPROVED BY BGP	DESCRIPTION BLOWER ASSY	MATERIAL	PROCESS/FINISH	SIZE D	DRAWING NUMBER 70219416	SHEET 1 OF 1	

