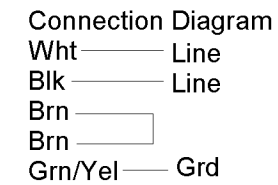
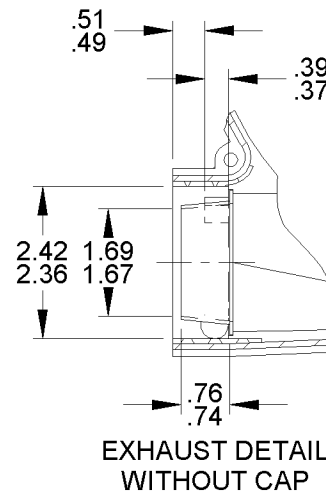


NOTES:

1. INSPECTION TEST FIXTURE IS REQUIRED.
2. BLOWER MUST START AT 101 VOLTS.
3. STATIC TAP READING TO BE -1.8 MINIMUM CORRECTED TO STANDARD AIR (0.075 LB/FT³) WITH A 1 1/4" INLET RESTRICTOR.
4. PACK 1 PER CONTAINER 18 MAX. PER PALLET, PACKING ASSY. 87854866, 6 CONTAINERS PER LAYER, 3 LAYERS PER PALLET, P.S. 88834200 AND P.S. 88834408.
5. CARTON LABELS MUST ALL FACE ONE DIRECTION TOWARD THE OPEN END OF THE PALLET. SEE P.S. 88834408.
6. NO PACKAGING TAPE OVER CARTON LABEL.



APPLICATION 90 + GAS FURNACE

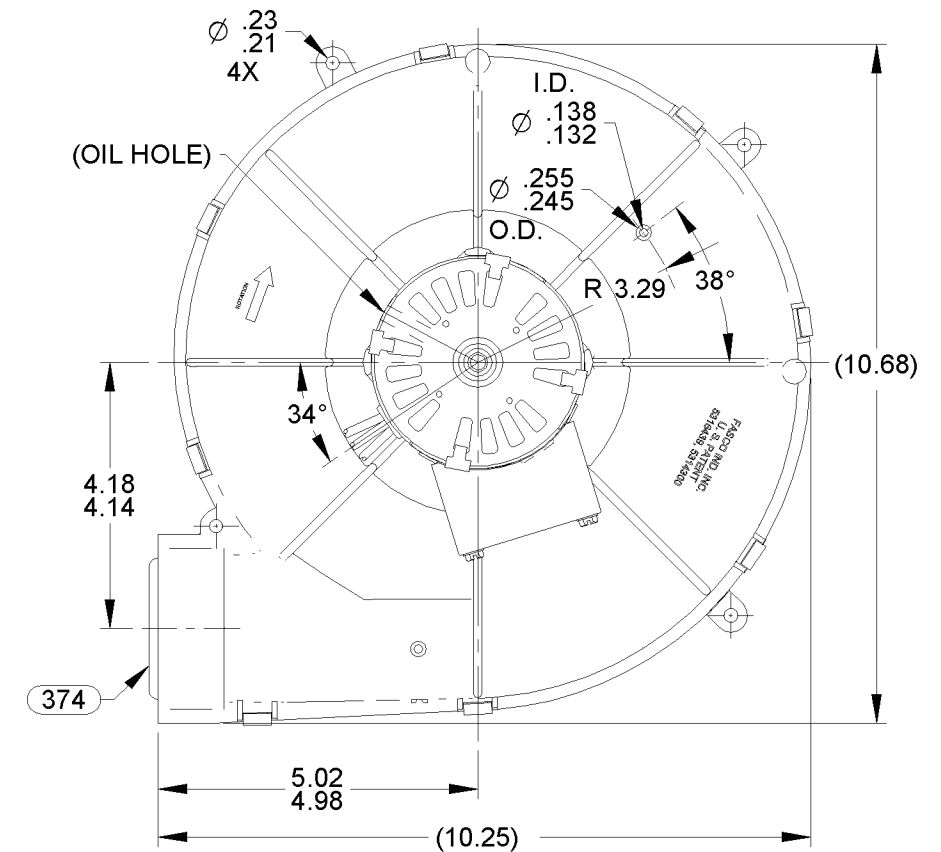
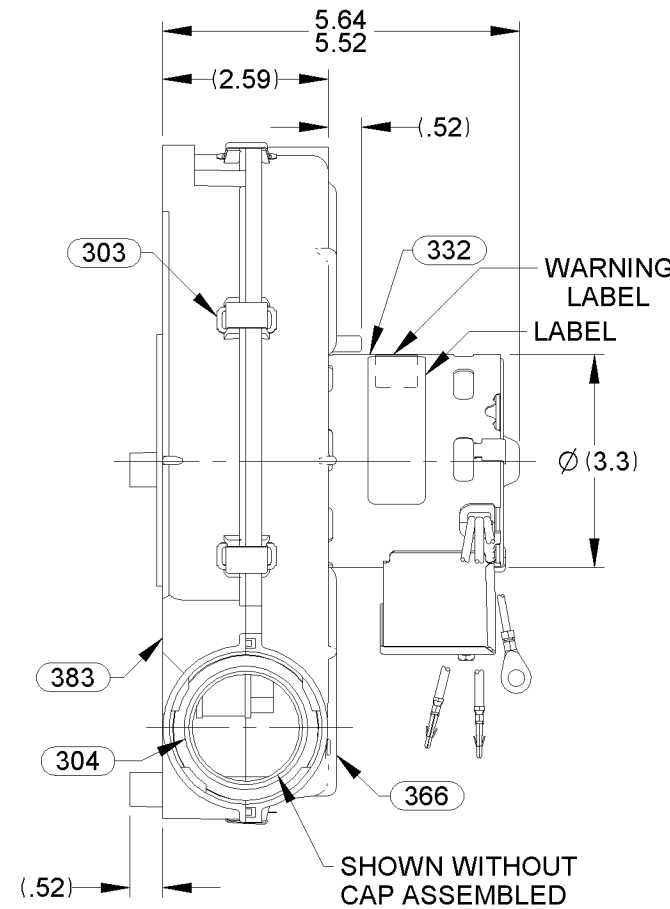
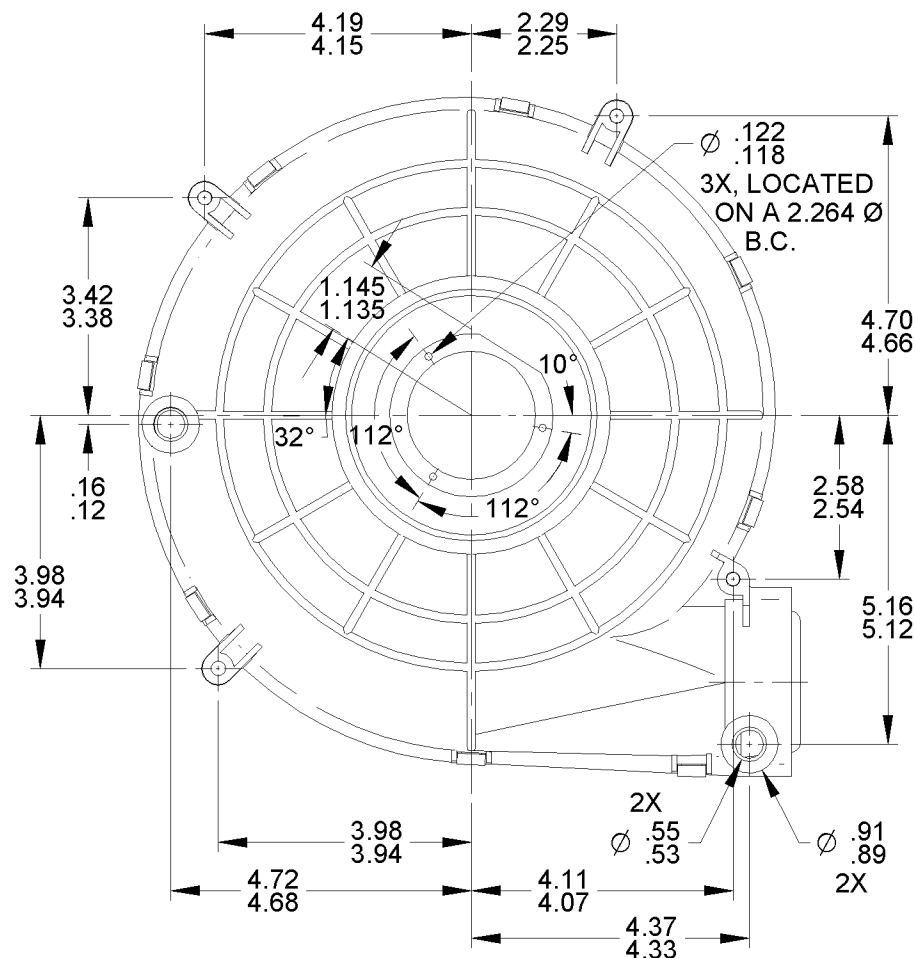
THERMALLY PROTECTED CLASS "B" INSULATION
303 S.S. SHAFT
SEALED BALL BEARING - BEARING MUST HAVE DOW CORNING 44 GREASE

B	LA	FR	A	S	C	E	B	A
PO	62	30	V	03	CN	5	0	0
CUSTOMER FASCO DIST.								
CUSTOMER PART NO. A145								

LEAD MATERIAL
18 GA. 125°C 4/64 INSUL.
EPDM., (1) BLK
AND (1) WHT
14.00/12.00 IN. LONG
W/PIN TERMS 89039166
AMP 350538-1

GROUND LEAD MATERIAL
18 GA. 125°C 2/64 INSUL.
X-LINKED POLY., GRN/YEL
10.50/8.50 IN. LONG
W/RING TERMS 89039251
AMP 60700-2

CAPACITOR LEAD MATERIAL
18 GA. 125°C 2/64 INSUL.
X-LINKED POLY., (2) BRN



AVERAGE PERFORMANCE TEST DATA WITH A 1 1/4" INLET RESTRICTOR

AT 115 VOLTS 60 HZ.

ECO. NO.	REV.	DATE	APPROVAL
4003858	11	11/30/11	MLM/ SED
4009902	12	7/31/2013	MLS/KSA

R.P.M.	WATTS	AMPS
3440	71	.73
BLOWER WEIGHT 5.375 LBS.		
END PLAY .XX/XX		

UNLESS OTHERWISE SPECIFIED DIMENSIONS ARE IN INCHES TOLERANCES ARE:
FRACTIONS ± 1/16 DECIMALS .XX ± .01 ANGLES ± 1°
XXX ± .005

APPROVALS	DATE
DRAWN SDM	05/01/2006
CHECKED BGP	05/01/2006
FINISH COLOR FLAT BLACK	

FASCO FASCO MOTORS GROUP
AC MOTOR/BLOWER DIVISION

CONFIDENTIAL: DO NOT DUPLICATE OR DISCLOSE TO THIRD PARTIES WITHOUT WRITTEN PERMISSION OF FASCO MOTORS GROUP, AC MOTOR/BLOWER DIVISION.

TITLE BLOWER ASSEMBLY		
SIZE B	DWG. NO. 7062 4238	REV. 12
DO NOT SCALE DRAWING		SHEET 1 OF 2