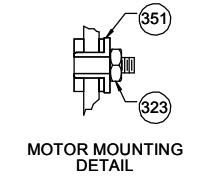


THERMALLY PROTECTED
CLASS "B" INSULATION
416 SS SHAFT

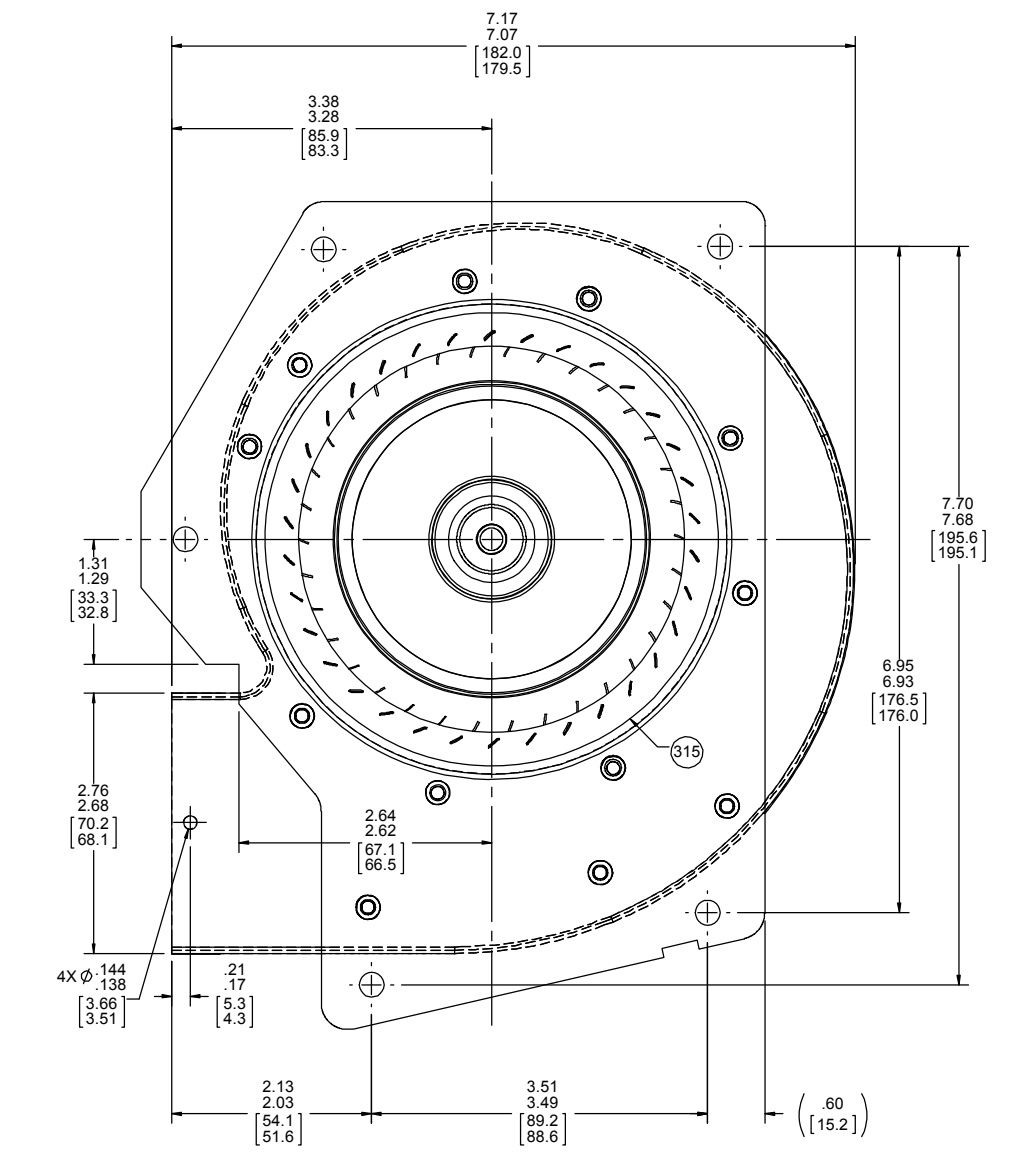
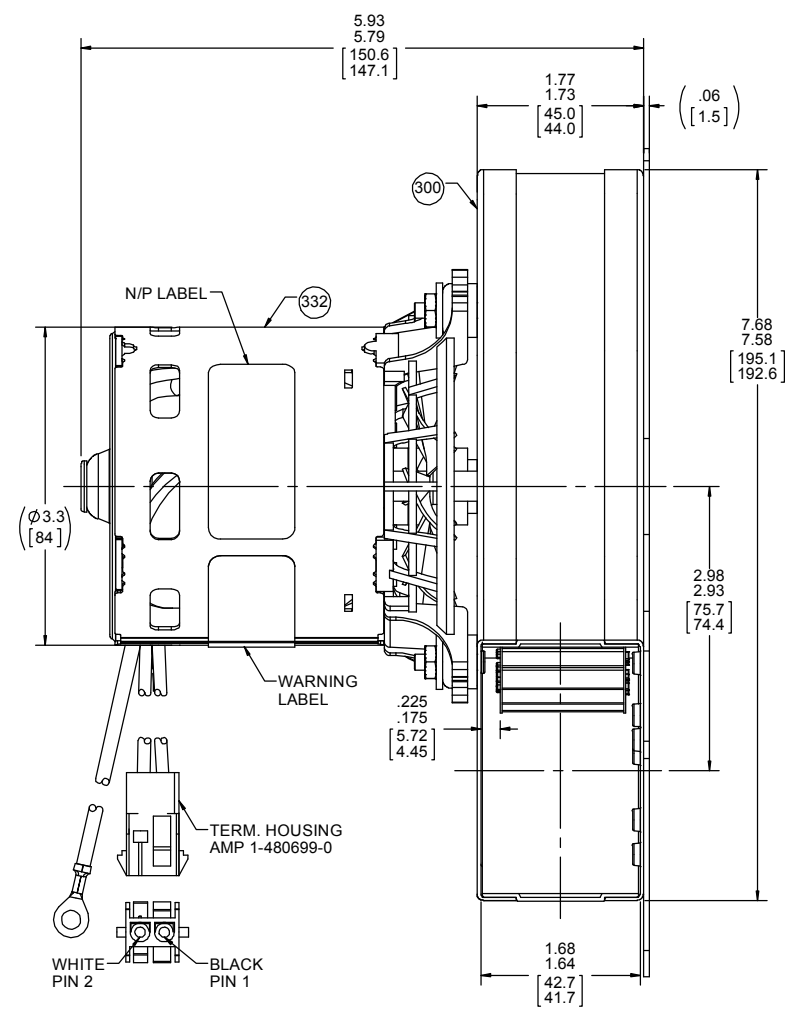
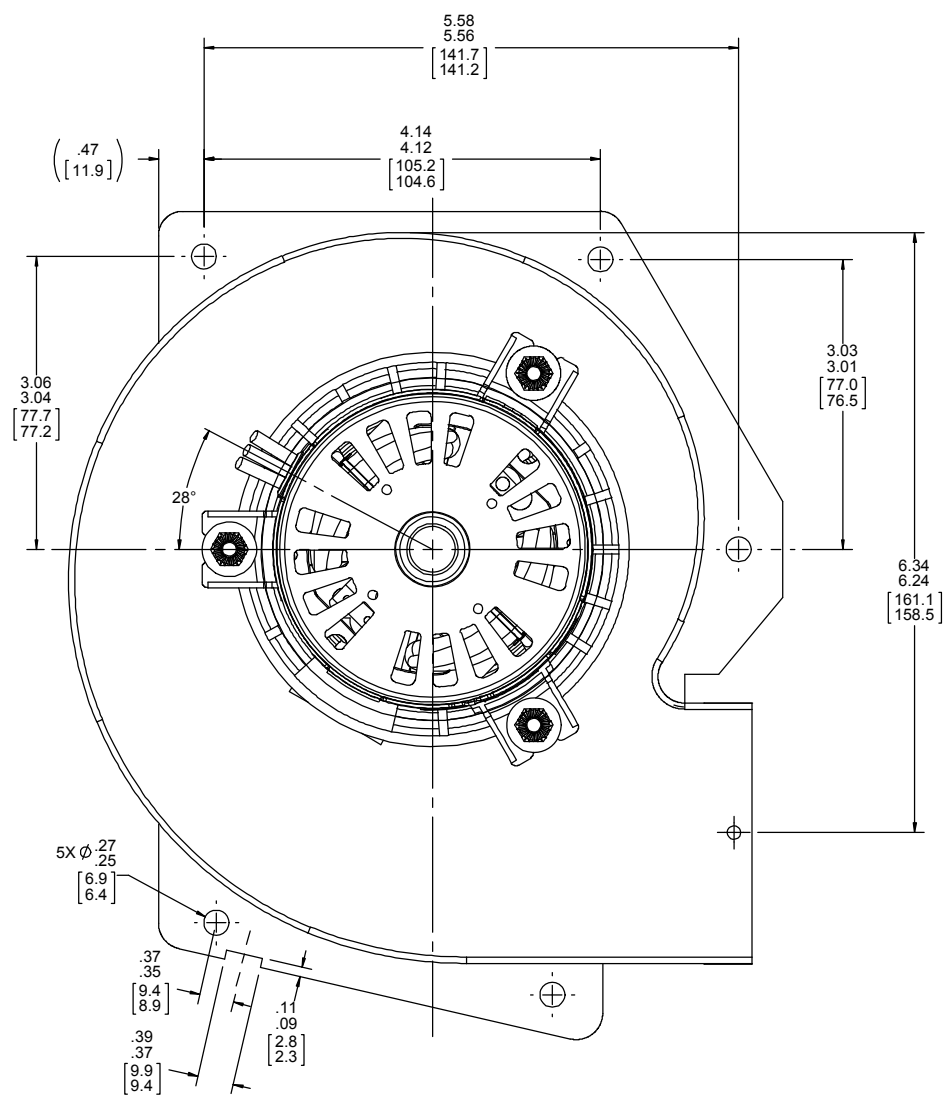
APPLICATION:	80+ FURNACE	B	LA	FR	A	S	C	E	B	A
CUSTOMER:	FASCO DIST.	12	21	47	V	02	BB	5	0	0
CUSTOMER PN:	A143	FINISH: BLOWER - NATURAL, MOTOR - FLAT BLACK								

- NOTES:
- NO STA-LOC REQUIRED ON IMPELLER.
 - PACK 1 PER CONTAINER, 16 CONTAINERS PER LAYER, 5 LAYERS PER PALLET, 80 MAX. PER PALLET, PACKING ASSY. 87854000, PER 88834200 AND 88834408.
 - INSPECTION TEST FIXTURING IS REQUIRED.
 - CARTON LABELS MUST ALL FACE ONE DIRECTION TOWARD THE OPEN END OF THE PALLET. SEE 88834408.
 - NO PACKAGING TAPE OVER CARTON LABELS.



LEAD MATERIAL
18 GA. 125°C 4/64 INSUL.
X-LINKED POLY.
(1) BLACK, (1) WHITE
7.00/5.00 [177.8/127.0]
W/ PIN TERMINALS
AMP 350538-1

GROUND LEAD
18 GA. 125°C 2/64 INSUL.
X-LINKED POLY. GRN/YEL
18.00/16.00 [457.2/406.4]
W/ RING TERMINAL
AMP 40955



TYPICAL PERFORMANCE TEST DATA
WITH 1 5/16 INLET RESTRICTOR
AT 115 VOLTS 60 Hz

	RPM	WATTS	AMPS
	3166	68	.89

BLOWER WEIGHT 4 1/2 LBS. ENDPLAY .XX/XX

DRAWING REVISION AC	REVISION BY SDM	REV DATE/DATE 8/13/2019	TOLERANCES (EXCEPT AS NOTED): DEC. INCH. mm ANGLE X ±0.1 [3] ±1° XX ±0.01 [0.3] XXX ±0.005 [0.13] XXXX ±0.0005 [0.013]	DRAWN BY MLS	DATE 5/18/2018	Regal Beloit America, Inc.
ECO-0171983	APPROVED BY SED	DATE 8/13/2019	REMOVE BURRS & BREAK SHARP EDGES: .003/.015 [08/38] X 45° CORNER FILLETS: R.02 [5] MACHINED SURFACES: 125/5 INCR/ m/lv mm DIMENSIONS IN [BRACKETS] ARE FOR REFERENCE ONLY	APPROVED BY BAA	DATE 5/18/2018	
REMOVE VIBRATION NOTE COPYRIGHT (P) 2018 BELT DRIVE TECHNOLOGIES, INC. ALL RIGHTS RESERVED. PROPRIETARY AND CONFIDENTIAL INFORMATION - THIS DOCUMENT IS THE PROPERTY OF REGAL BELOIT AMERICA, INC. CONSENT AND CONFIRMATION OF OWNERS PROPRIETARY INFORMATION, ANY PERSON, CORPORATION OR OTHER FIRM RECEIVING IT IS DEEMED, BY RECEIVING IT, TO AGREE THAT IT, AND/OR ANY PART OF IT, SHALL NOT BE DISCLOSED TO ANY PERSON, CORPORATION OR OTHER ENTITY, DUPLICATED, AND/OR USED, EXCEPT AS EXPRESSLY APPROVED IN WRITING IN ADVANCE BY OWNER. THIS DOCUMENT SHALL BE RETURNED TO OWNER UPON REQUEST. IT MAY BE SUBJECT TO CERTAIN RESTRICTIONS UNDER APPLICABLE EXPORT CONTROL LAWS AND REGULATIONS.			DESCRIPTION OUTLINE BLOWER ASSY	MATERIAL	PROCESS/FINISH	
THIRD ANGLE PROJECTION		SIZE D	DRAWING NUMBER 70219414	SHEET 1 OF 1		