

NOTES:

1. INSPECTION TEST FIXTURE IS REQUIRED.
2. STATIC TAP READING IS TO BE 1.6 MINIMUM CORRECTED TO STANDARD AIR (0.075 LB/FT³) WITH 1 1/4 DIA. INLET RESTRICTOR.
3. TOD SWITCH MUST HAVE PROTECTIVE SHEATH. CTQ
4. PACK 1 PER CONTAINER, 36 MAX. PER PALLET, PACKING ASSY.8785-4866, 12 CONTAINERS PER LAYER, 3 LAYERS PER PALLET, P.S. 8883-4200, P.S. 8883-4408.
5. CARTON LABELS MUST ALL FACE ONE DIRECTION TOWARD THE OPEN END OF THE PALLET. SEE P.S. 8883 4408.
6. NO PACKAGING TAPE OVER CARTON LABEL.

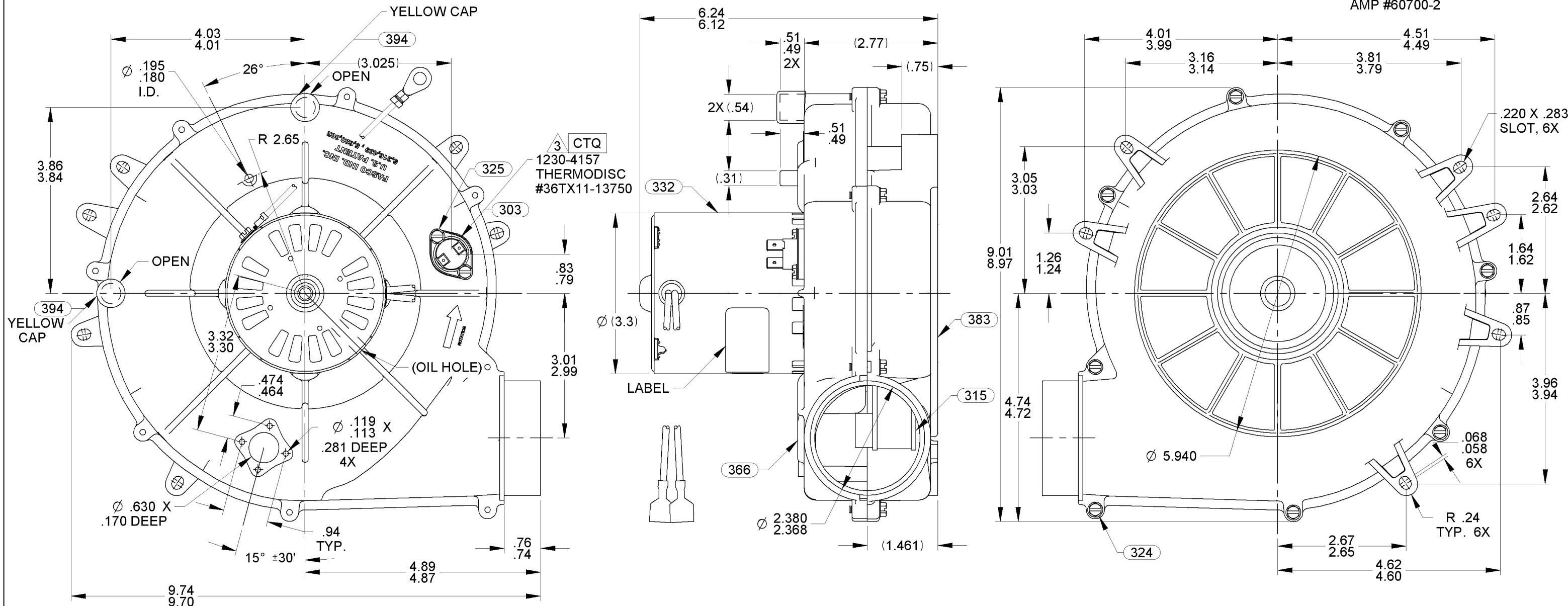
APPLICATION 90+ INDOOR FURNACE

THERMALLY PROTECTED
CLASS "B" INSULATION
416 S.S. SHAFT

B	LA	FR	A	S	C	E	B	A
PF	21	30	F	05	DK	5	3	0
CUSTOMER								FASCO DIST.
CUSTOMER PART NO.								A140

LEAD MATERIAL
18 GA. 125°C 2/64 INS.
X-LINK POLY.,
(1) BLACK, (1) WHITE
20.00/18.00 IN. LONG
MSPADE TERM. 8903-9148
AMP #2-520102-2

GROUND MATERIAL
18 GA. 125°C 2/64 INS.
X-LINK POLY., GRN/YEL
10.50/9.50 IN. LONG
RING TERM. 8903-9251
AMP #60700-2



TYPICAL PERFORMANCE TEST DATA WITH 1 1/4 DIA. INLET RESTRICTOR.

CTQ = CRITICAL TO QUALITY			
ECO. NO.	REV.	DATE	APPROVAL
4002265	20	06/07/11	MLM/KSA
4002886	21	08/08/2011	SDM/PLA
0054271	22	7/22/2014	BGP/PLA

AT 115 VOLTS 60 HZ.			
R.P.M.	WATTS	AMPS	END PLAY
3418	99	1.38	.030/.010
BLOWER WEIGHT 4.25 LBS.		FINISH COLOR BLACK	

UNLESS OTHERWISE SPECIFIED DIMENSIONS ARE IN INCHES TOLERANCES ARE:
FRACTIONS ± 1/16
DECIMALS XX ± .01
XXX ± .005
ANGLES ± 1°

APPROVALS	DATE
DRAWN SDM	07/08/2005
CHECKED BGP	07/08/2005

FASCO FASCO MOTORS GROUP
AC MOTOR/BLOWER DIVISION

CONFIDENTIAL: DO NOT DUPLICATE OR DISCLOSE TO THIRD PARTIES WITHOUT WRITTEN PERMISSION OF FASCO MOTORS GROUP, AC MOTOR/BLOWER DIVISION.

TITLE
BLOWER ASSEMBLY

SIZE **B** DWG. NO. 7021 9412 REV. 22

DO NOT SCALE DRAWING SHEET 1 OF 2