

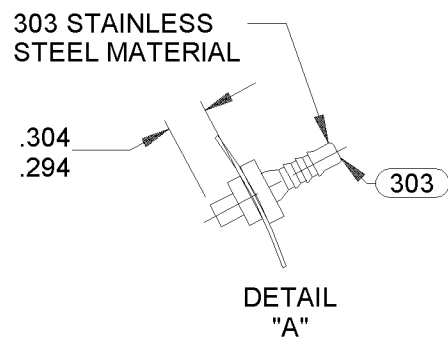
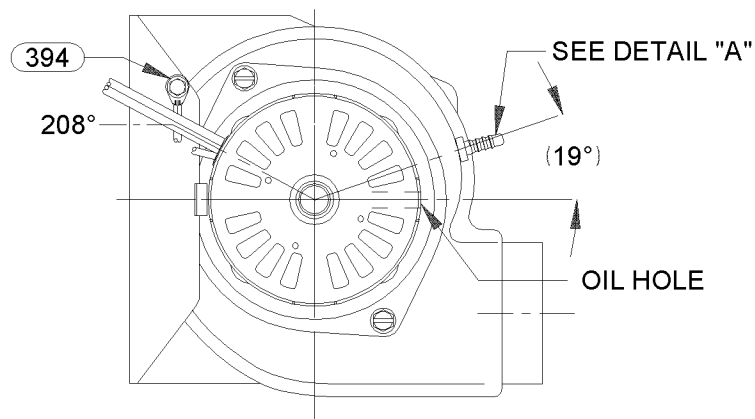
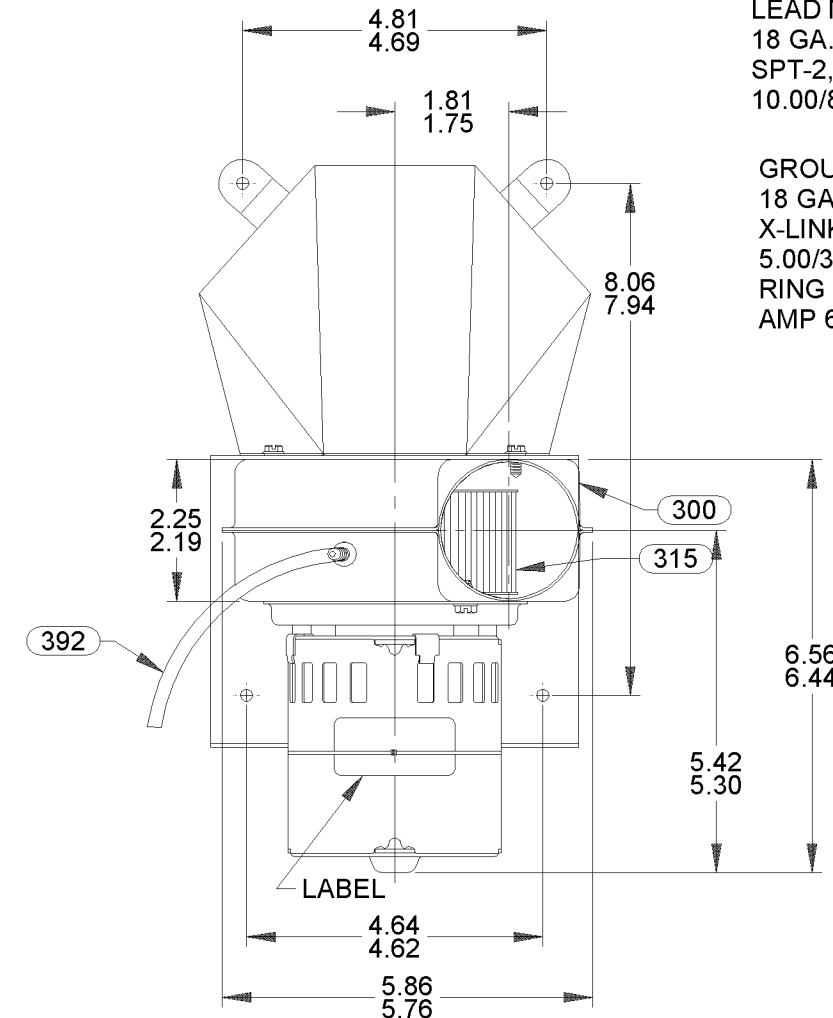
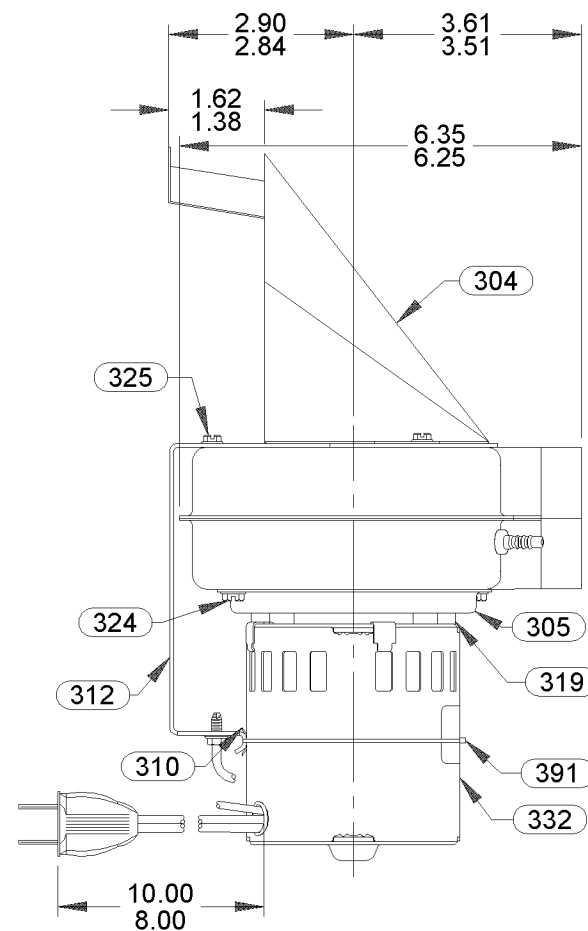
NOTES:

1. STATIC TAP TO BE TIGHT AND SECURELY FASTENED.
2. DIM. TO IMPELLER FROM MOUNTING CUP IS TO BE .125/.085.
3. CABLE TIE PC 391 MUST BE BLACK.
4. STATIC TAP READING TO BE -1.10 MINIMUM CORRECTED TO STD. AIR (0.075 LB/FT³) WITH NO INLET RESTRICTOR.
5. PACK 1 PER CONTAINER, 36 MAX. PER PALLET, PACKING ASSY. 87854713, 12 CONTAINERS PER LAYER, 3 LAYERS PER PALLET, P.S. 88834200 AND P.S. 88834408.
6. CARTON LABELS MUST ALL FACE ONE DIRECTION TOWARD THE OPEN END OF THE PALLET. SEE P.S. 88834408.
7. NO PACKAGING TAPE OVER CARTON LABEL.

APPLICATION	AFTER MARKET SALES									
	B	LA	FR	A	S	C	E	B	A	
	06	21	30	F	02	OF	5	3	0	
CUSTOMER	FASCO DIST.									
CUSTOMER PART NO.	A139									

LEAD MATERIAL
 18 GA. 105°C 3/64 INSUL.
 SPT-2, BLK
 10.00/8.00 IN. LONG

GROUND LEAD MATERIAL
 18 GA. 125°C 2/64 INSUL.
 X-LINKED POLY. GRN/YEL
 5.00/3.00 IN. LONG
 RING TERM. 89020156
 AMP 61794-1



TYPICAL PERFORMANCE TEST DATA
 IN FREE AIR

ECO. NO.	REV.	DATE	APPROVAL
4002286	17	6/9/11	MLM/PLA
4003510	18	10/21/11	BGP/SDM
4009334	19	5/30/2013	SDM/SED
4010454	20	10/1/2013	MLH/SDM

AT 115 VOLTS 60 HZ.			
R.P.M.	WATTS	AMPS	
2951	73	.91	
BLOWER WEIGHT 3.75 LBS.		END PLAY .030/.010	

UNLESS OTHERWISE SPECIFIED DIMENSIONS ARE IN INCHES TOLERANCES ARE:		
FRACTIONS	DECIMALS	ANGLES
± 1/16	.XX ± .01	± 1°
	.XXX ± .005	

FASCO FASCO MOTORS GROUP
 AC MOTOR/BLOWER DIVISION

CONFIDENTIAL: DO NOT DUPLICATE OR DISCLOSE TO THIRD PARTIES WITHOUT WRITTEN PERMISSION OF FASCO MOTORS GROUP, AC MOTOR/BLOWER DIVISION.

TITLE: **BLOWER ASSEMBLY**

SIZE **B** DWG. NO. 7021 9411 REV. 20

DO NOT SCALE DRAWING SHEET 1 OF 1