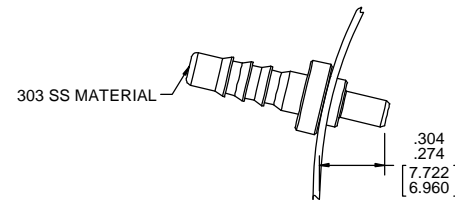


THERMALLY PROTECTED
CLASS "B" INSULATION
416 SS SHAFT

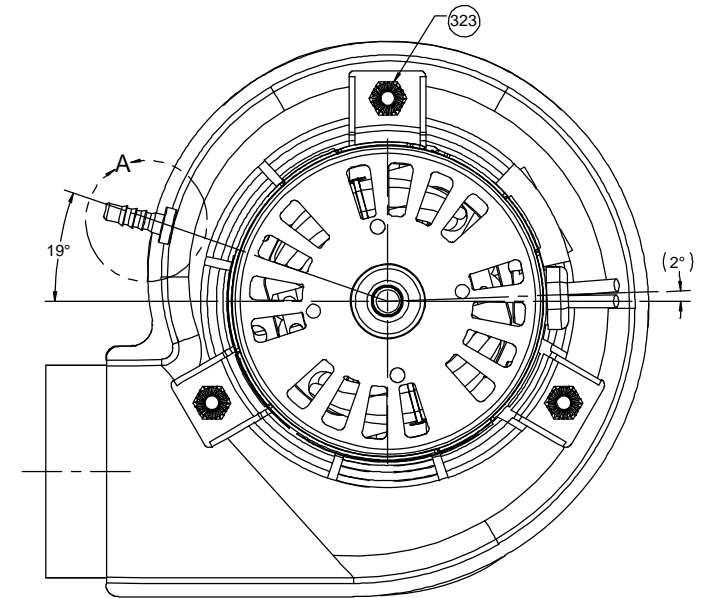
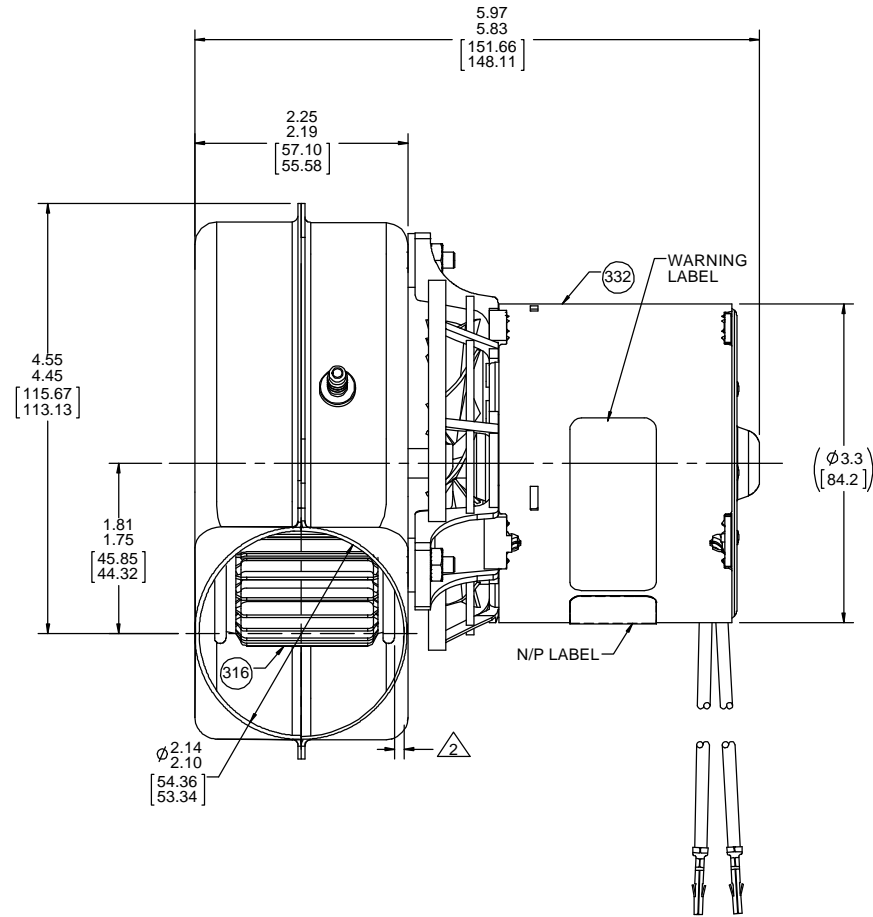
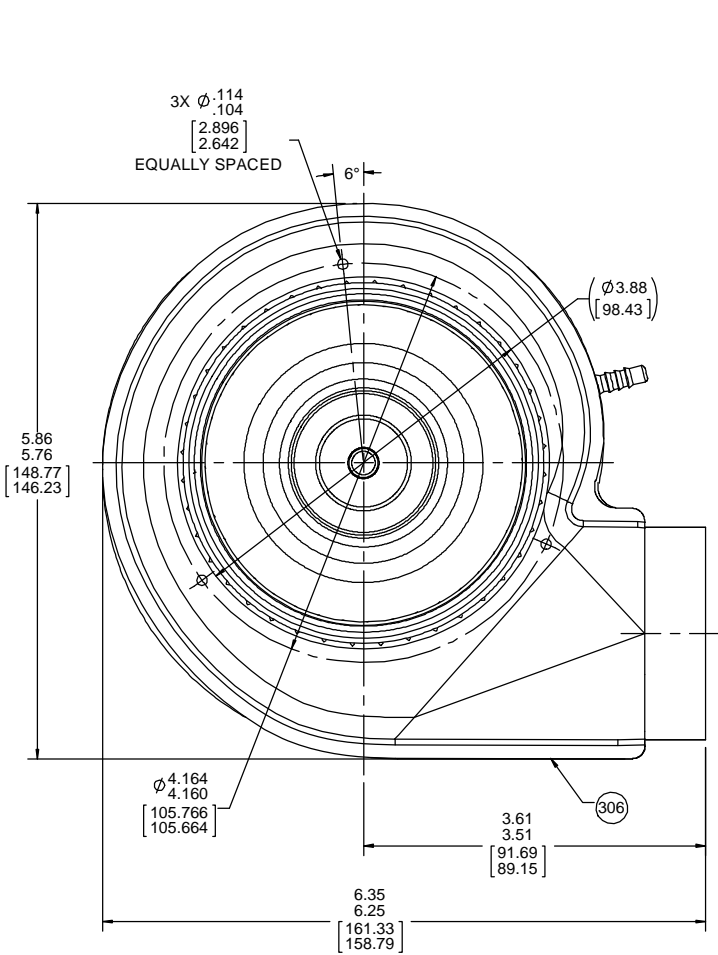
APPLICATION:		B	LA	FR	A	S	C	E	B	A
CUSTOMER:	FASCO DIST.	06	21	47	V	01	OC	5	3	0
CUSTOMER PN:	A135	FINISH: BLOWER-NATURAL, MOTOR-BLACK								

- NOTES:
1. STATIC TAP TO BE TIGHT AND SECURELY FASTENED.
 2. USE .085/.125 [2.159/3.175] GAGE BETWEEN MOTOR SIDE OF HOUSING AND IMPELLER.
 3. INSPECTION TEST FIXTURE IS REQUIRED.
 4. WITH 98 VOLTS APPLIED, SHAFT MUST MAKE THREE UNINTERRUPTED REVOLUTIONS.
 5. 100% CHECK STATIC TAP READING IS TO BE -.87 MINIMUM CORRECTED TO STANDARD AIR (0.075 LB/FT³) WITH A Ø2 1/16 INLET RESTRICTOR.
 6. PACK 1 PER CONTAINER, 30 CONTAINERS PER LAYER, 5 LAYERS PER PALLET, 150 MAX. PER PALLET, PACKING ASSY: 87855523, PER 88834200 AND 88834408.
 7. CARTON LABELS MUST ALL FACE ONE DIRECTION TOWARD THE OPEN END OF THE PALLET. SEE 88834408.
 8. NO PACKAGING TAPE OVER CARTON LABEL.



DETAIL A

LEAD MATERIAL
18 GA. 125°C 4/64 INSUL.
EPDM. (2) BLACK
49.00/47.00 [1244.60/1193.80]
W/SOCKET TERM.
AMP 350537-1



TYPICAL PERFORMANCE TEST DATA WITH A 2 1/16 INLET RESTRICTOR			
AT 120 VOLTS 60 Hz			
	RPM	WATTS	AMPS
	3144	62	.72
BLOWER WEIGHT	3.25 LBS.		ENDPLAY .030/.010 [.762/.254]

DRAWING REVISION AA	REVISION BY MLS	DATE 8/28/2018	TOLERANCES UNLESS OTHERWISE SPECIFIED: DEC. INCH mm ANGLE .X ±0.1 [±2.5] ±1° .XX ±0.01 [±0.25] .XXX ±0.005 [±0.127] XXXX ±0.0005 [±0.0127]	DRAWN BY MLS	DATE 8/28/2018	DESCRIPTION OUTLINE BLOWER ASSY
ECO-0151146	APPROVED BY SDM	DATE 8/28/2018	REMOVE BURRS & BREAK SHARP EDGES: .003/.015 [0.076/.381] X 45° CORNER FILLETS: R.02 [0.51] MACHINED SURFACES: 125/ INCR/ 32/ mm SHOWN IN [BRACKETS]	APPROVED BY SDM	DATE 8/28/2018	MATERIAL PROCESS/FINISH
PROPRIETARY AND CONFIDENTIAL INFORMATION - THIS DOCUMENT IS THE PROPERTY OF REGAL BELOIT AMERICA, INC. CONSENT AND CONFIRMATION OWNERS PROPRIETARY INFORMATION, ANY PERSON, CORPORATION OR OTHER FIRM RECEIVING IT IS DEEMED, BY RECEIVING IT, TO AGREE THAT IT, AND/OR ANY PART OF IT, SHALL NOT BE DISCLOSED TO ANY PERSON, CORPORATION OR OTHER ENTITY, DUPLICATED, AND/OR USED, EXCEPT AS EXPRESSLY APPROVED IN WRITING IN ADVANCE BY OWNER. THIS DOCUMENT SHALL BE RETURNED TO OWNER UPON REQUEST. IT MAY BE SUBJECT TO CERTAIN RESTRICTIONS UNDER APPLICABLE EXPORT CONTROL LAWS AND REGULATIONS.			THIRD ANGLE PROJECTION	SIZE D	DRAWING NUMBER 70219409	SHEET 1 OF 1

Regal Beloit America, Inc.

OUTLINE
BLOWER ASSY

MATERIAL
PROCESS/FINISH

SIZE
D

DRAWING NUMBER
70219409

SHEET
1 OF 1