

- NOTES:
- ASSEMBLE GROUND STRAP BETWEEN (2) PC 323 NUTS.
 - IMPELLER TO BE MEASURED .220/.180 [5.588/4.572] FROM INSIDE OF HOUSING TO BACKPLATE OF IMPELLER.
 - INSPECTION TEST FIXTURE IS REQUIRED.
 - BLOWER MUST START AT 101 VOLT
 - STATIC TAP READING IS TO BE -1.50 MINIMUM CORRECTED TO STANDARD AIR (0.075 LB/FT³) WITH A 1.75 [44.45] INLET RESTRICTOR.
 - **QUALITY AUDIT MUST INCLUDE VIBRATION CHECK AT LOCATION SHOWN ON DRAWING. MAXIMUM ALLOWABLE DISPLACEMENT .001 [0.025] IN.
 - QUALITY AUDIT MUST INCLUDE UNUSUAL NOISE CHECK IN QUIET ROOM. CHECK (2) BLOWERS PER PALLET.
 - PACK 1 PER CONTAINER, 9 CONTAINERS PER LAYER, 4 LAYERS PER PALLET, PACKING ASSY. 87854866, PER 88834200 AND 88834408.
 - CARTON LABELS MUST FACE ALL ONE DIRECTION TOWARD THE OPEN END OF THE PALLET. SEE 88834408.
 - NO PACKAGING TAPE OVER CARTON LABEL.
 - BLOWER - NATURAL / MOTOR - FLAT BLACK.

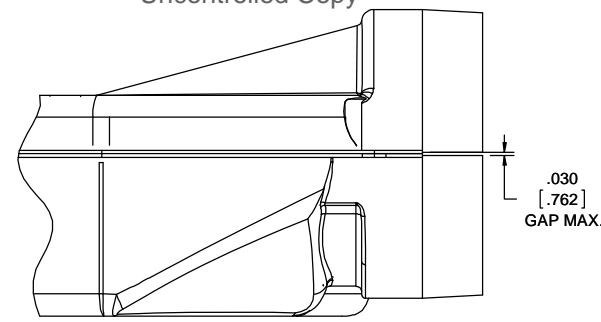
Uncontrolled Copy

THERMALLY PROTECTED
CLASS "B" INSULATION
SEALED BALL BEARING

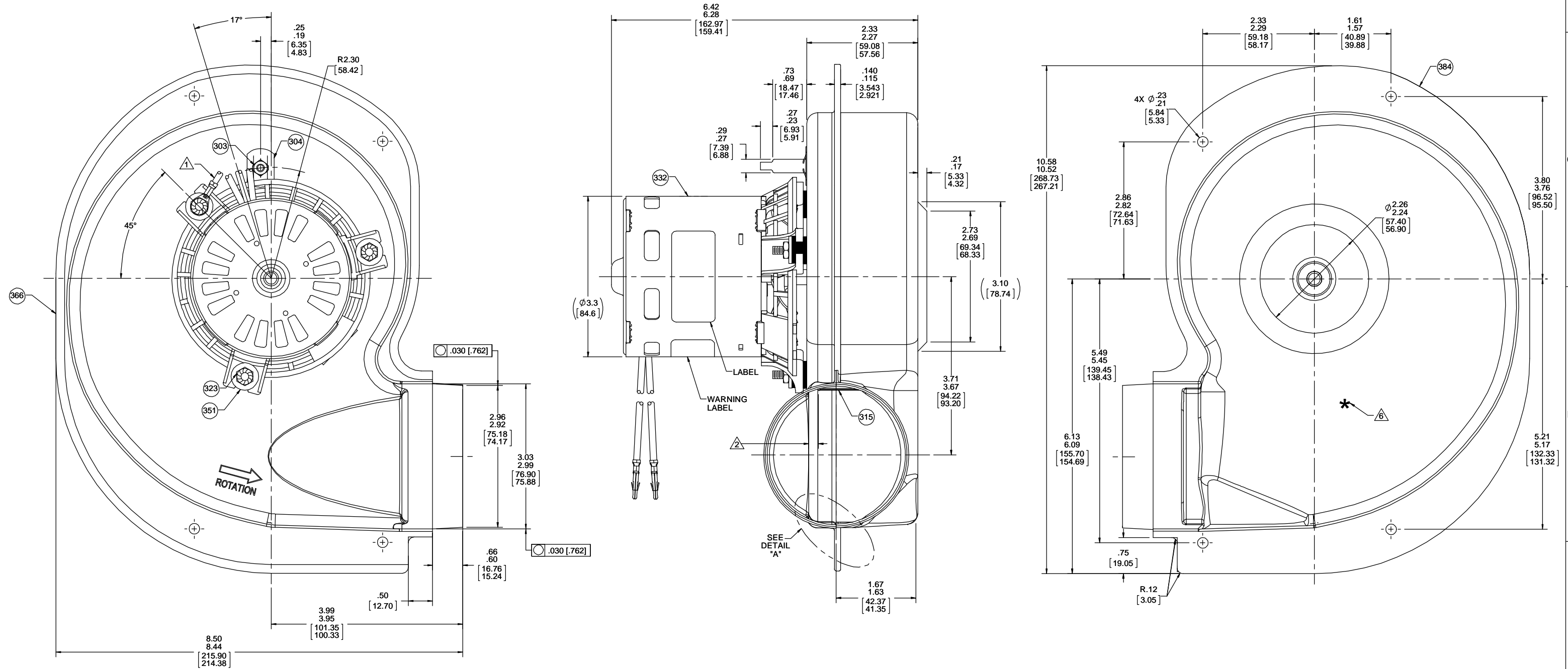
APPLICATION:	FURNACE	B	LA	FR	A	S	C	E	B	A
CUSTOMER:	FASCO DIST.	GE	21	47	V	04	EB	5	0	0
CUSTOMER PN:	A134									

LEAD MATERIAL
18 GA. 125°C 4/64 INSUL.
EPDM.
WHITE AND BLACK
24.00/22.00 [609.60/558.80]
W/PIN TERMS.
AMP 350538-1

GROUND LEAD MATERIAL
18 GA. 125°C 2/64 INSUL.
X-LINKED POLY.
GRN/YEL
7.00/5.00 [177.80/127.00]
W/ RING TERM.
AMP 350436-2



DETAIL "A"



RPM	WATTS	AMPS
3122	105	1.42

DRAWING REVISION	REVISION BY	DATE	TOLERANCES UNLESS OTHERWISE SPECIFIED:	DRAWN BY	SDM
TA	MLS	5/16/2018	DEC. INCH mm ANGLE ±1°	DATE	2/3/2015
ECO-0144255	BAA	5/16/2018	.XX ±0.01 [±0.25]	APPROVED BY	BGP
ECO DESCRIPTION			.XXX ±0.005 [±0.127]	DATE	2/3/2015
UPDATED BLOWER PACKING			XXXX ±0.0005 [±0.0127]	REFERENCE	
BLOWER WEIGHT LBS.			REMOVE BURRS & BREAK SHARP EDGES: .003/.015 [0.076/.381] X 45° CORNER FILLETS: R.02 [51]	MATERIAL	OUTLINE
ENDPLAY XX/XX			MACHINED SURFACES: 125/ INC/ m/v	PROCESS/FINISH	SEE NOTES
			mm SHOWN IN [BRACKETS]	THIRD ANGLE PROJECTION	SIZE D
				DRAWING NUMBER	70219408
				1	1 OF 1

Regal Beloit America, Inc.

OUTLINE BLOWER ASSY

70219408