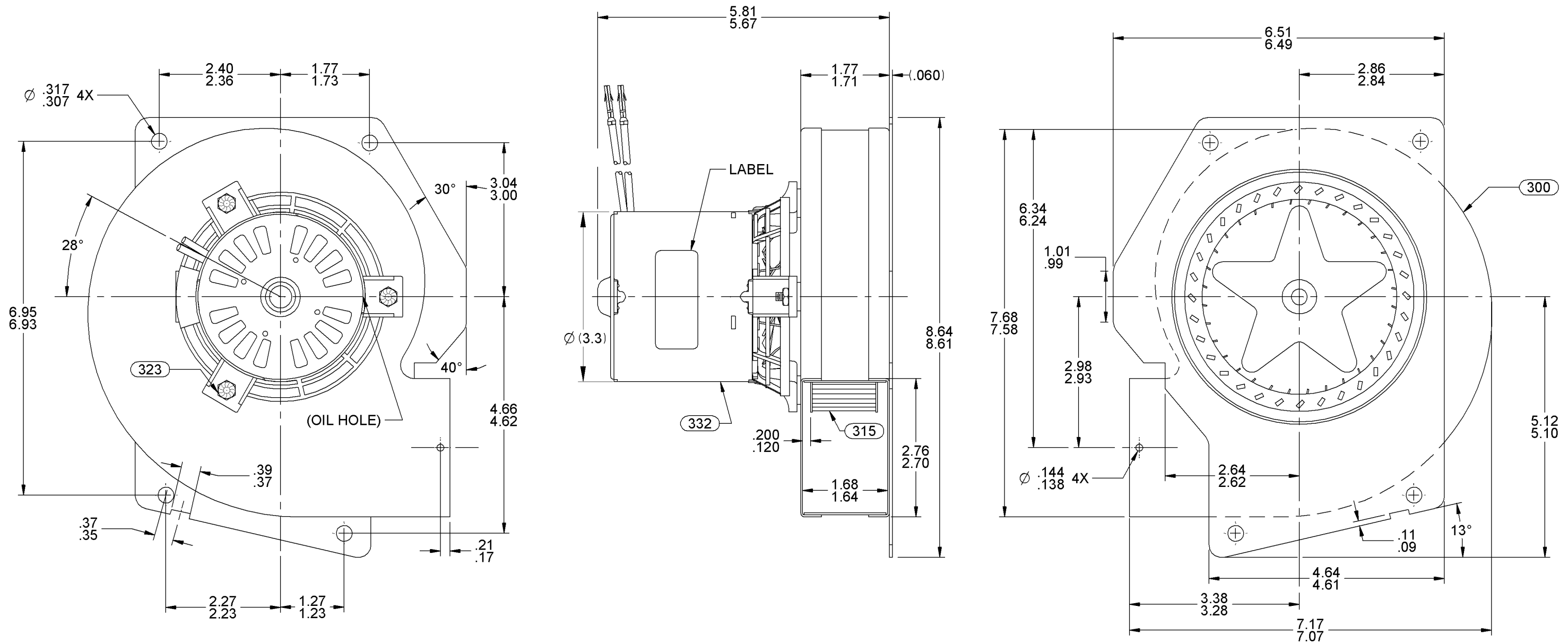


NOTES:

1. NO STA-LOC REQUIRED ON IMPELLER.
2. INSPECTION TEST FIXTURING REQUIRED.
3. PACK 1 PER CONTAINER, 80 MAX. PER PALLET, PACKING ASSY: 87854335, 16 CONTAINERS PER LAYER, 5 LAYERS PER PALLET, P.S. 88834200 AND P.S. 8883 4408.
4. CARTON LABELS MUST ALL FACE ONE DIRECTION TOWARD THE OPEN END OF THE PALLET. SEE P.S. 88834408.
5. NO PACKING TAPE OVER CARTON LABEL.

APPLICATION	GAS FURNACE								
	B	LA	FR	A	S	C	E	B	A
	12	21	47	V	02	EJ	5	3	0
	THERMALLY PROTECTED CLASS "B" INSULATION 416 S.S. SHAFT								
CUSTOMER	FASCO DIST								
CUSTOMER PART NO.	A132								

LEAD MATERIAL
 18 GA. 125°C, 4/64 INSUL.
 EPDM, (2) BLK
 12.00/10.00 LONG
 W/SOCKET TERMS. 89036006
 AMP 350537-1



TYPICAL PERFORMANCE TEST DATA WITH 1 5/16 INLET RESTRICTOR

AT	115	VOLTS	60	HZ.	
R.P.M.	3272	WATTS	68	AMPS	.88

UNLESS OTHERWISE SPECIFIED DIMENSIONS ARE IN INCHES TOLERANCES ARE:
 FRACTIONS $\pm 1/16$
 DECIMALS XX $\pm .01$
 ANGLES XXX $\pm .005$

FASCO FASCO MOTORS GROUP
 AC MOTOR/BLOWER DIVISION

ECO. NO.	REV.	DATE	APPROVAL
4009137	09	05/07/2013	MLM/JMC

APPROVALS	DATE
DRAWN VLL	12-19-2005
CHECKED SDM	12-19-2005

FINISH COLOR **FLAT BLACK**

CONFIDENTIAL: DO NOT DUPLICATE OR DISCLOSE TO THIRD PARTIES WITHOUT WRITTEN PERMISSION OF FASCO MOTORS GROUP, AC MOTOR/BLOWER DIVISION.

TITLE **BLOWER ASSEMBLY**

SIZE **B** DWG. NO. **7021 9407** REV. **09**

DO NOT SCALE DRAWING SHEET **1 OF 1**

If Printed, this is an Uncontrolled Document.