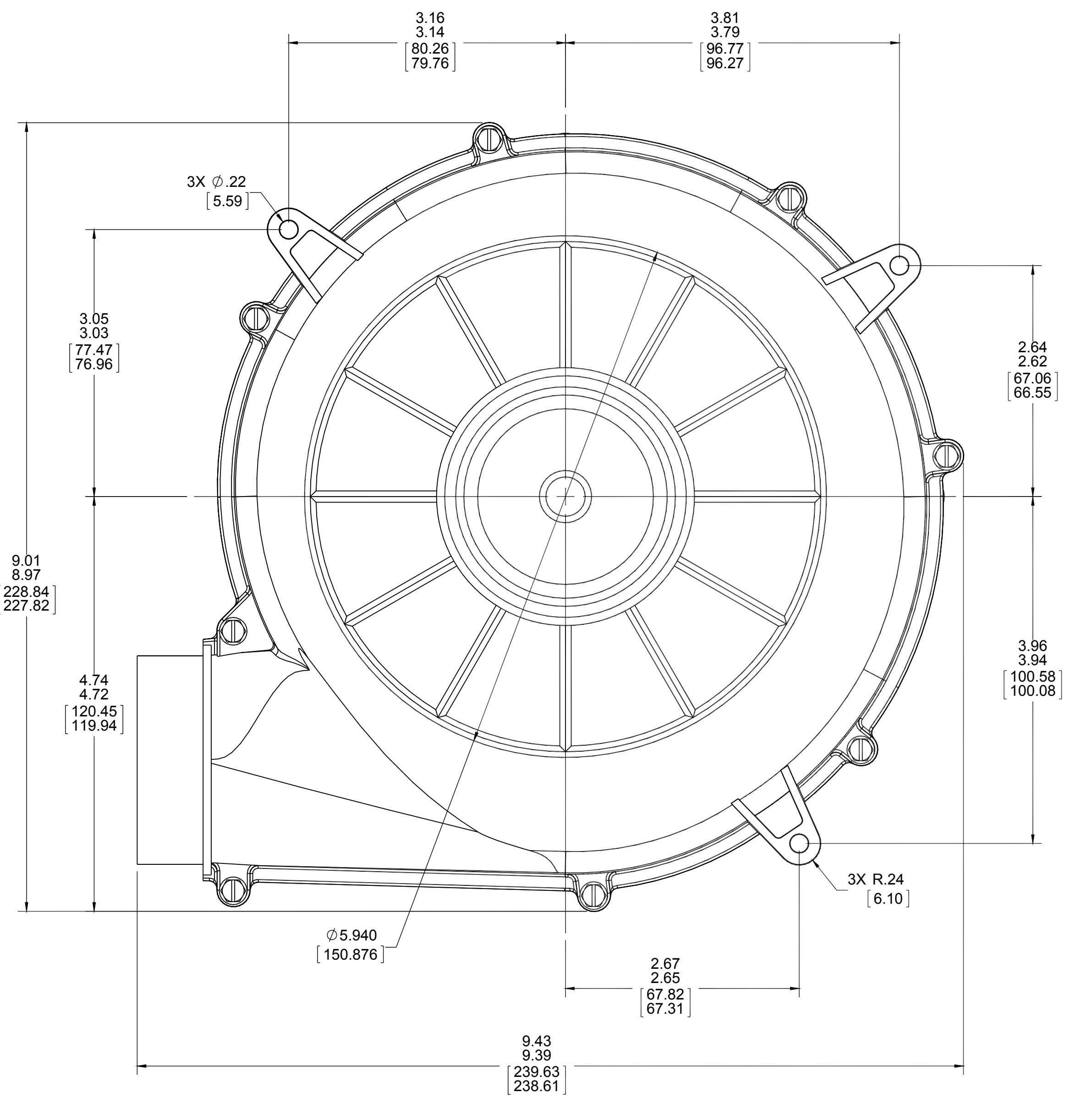
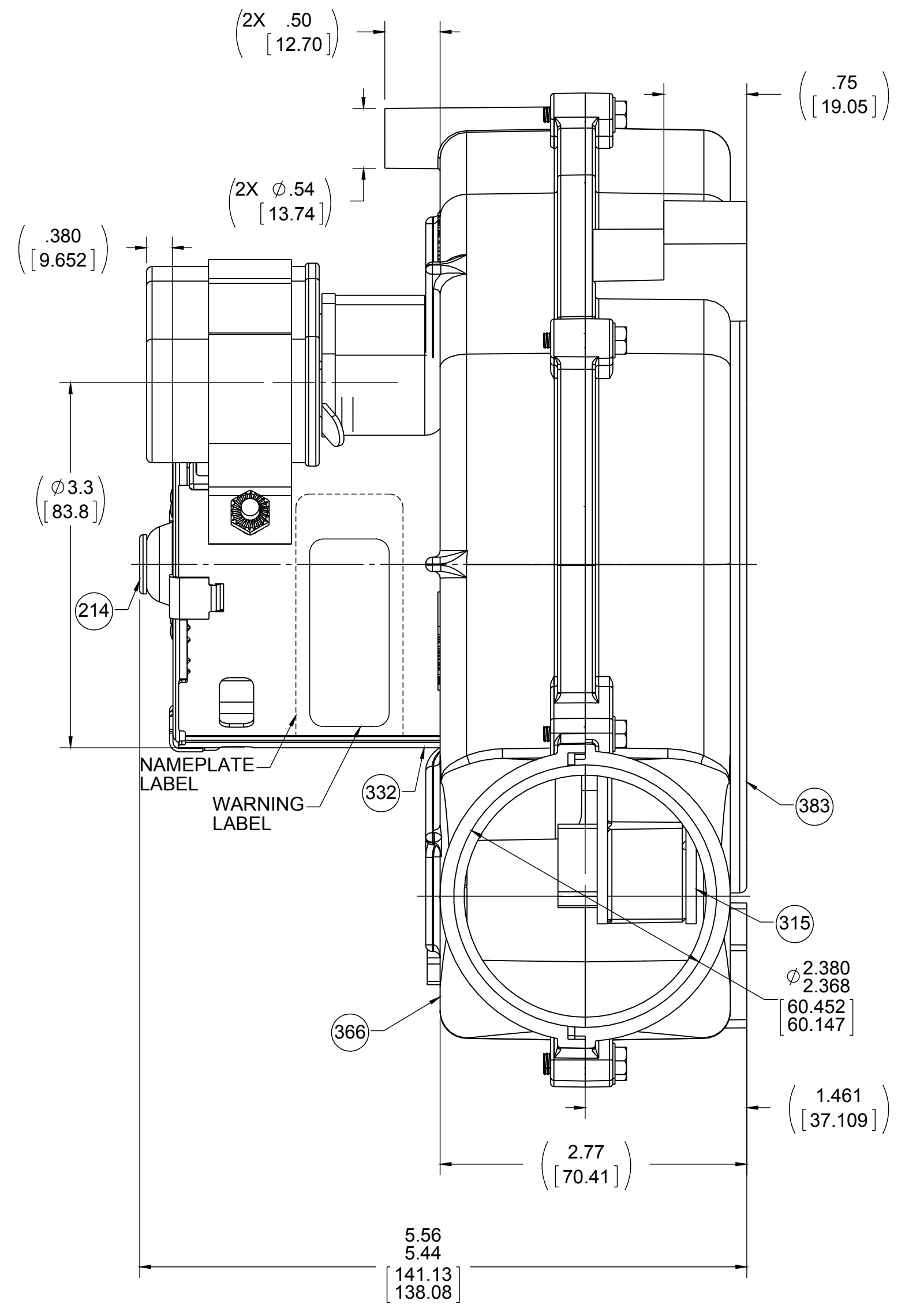
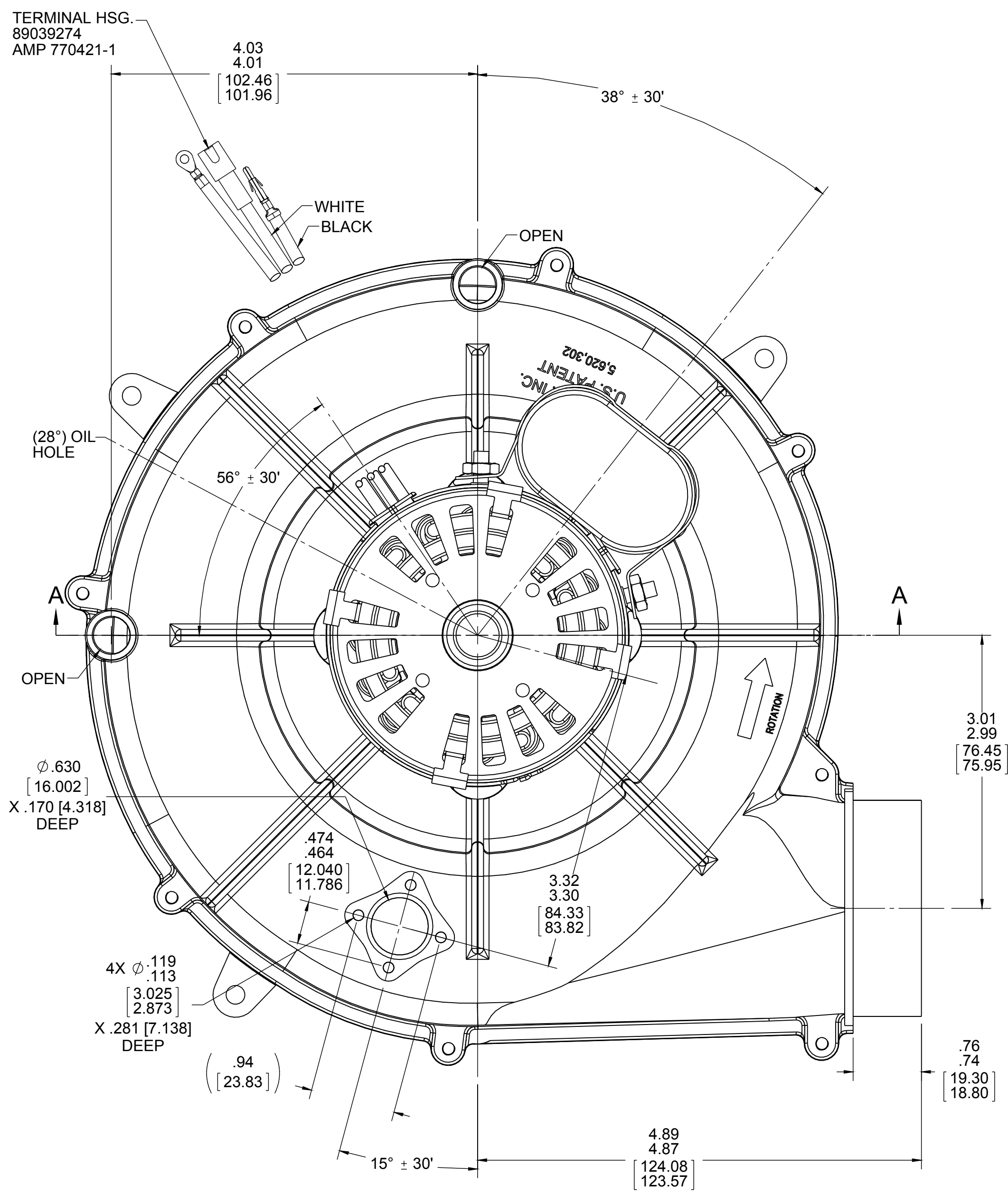


THERMALLY PROTECTED
CLASS "B" INSULATION
416 SS SHAFT

APPLICATION:	90 + GAS FURNACE	B	LA	FR	A	S	C	E	B	A
CUSTOMER:	FASCO DIST.	PF	62	30	V	03	CN	5	3	0
CUSTOMER PN:	A130									

- NOTES:
- 1 PER CONTAINER, 18 MAX. PER PALLET, 6 PER LAYER, 3 LAYERS PER PALLET, PACKING ASSEMBLY 87854916, PER 88834200 AND 88834408.
 - CARTON LABELS MUST ALL FACE ONE DIRECTION TOWARD THE OPEN END OF THE PALLET. SEE 88834408.
 - NO PACKAGING TAPE OVER CARTON LABEL.
 - CAPACITOR RATING: 4 MFD/370 VAC.

LEAD MATERIAL
18 GA. 125°C. 2/64 INSUL.
X-LINKED POLY.
(1) WHITE.
7.00/5.00 [177.80/127.00]
PIN TERM. 89039085
AMP 350218-1
(1) BLACK
6.00/4.00 [152.40/101.60]
PIN TERM. 89039085
AMP 350218-1
GROUND LEAD
GRN/YEL
15.00/13.00 [381.00/330.20]
RING TERM. 89039009
AMP 40955
CAPACITOR LEAD
(2) BROWN
7.50/5.50 [190.50/139.70]
FFLAG TERM. 89034045
AMP 42742-2



TYPICAL PERFORMANCE TEST DATA
IN FREE AIR

AT 115 VOLTS 60 Hz

	RPM	WATTS	AMPS
	3444	78	.71

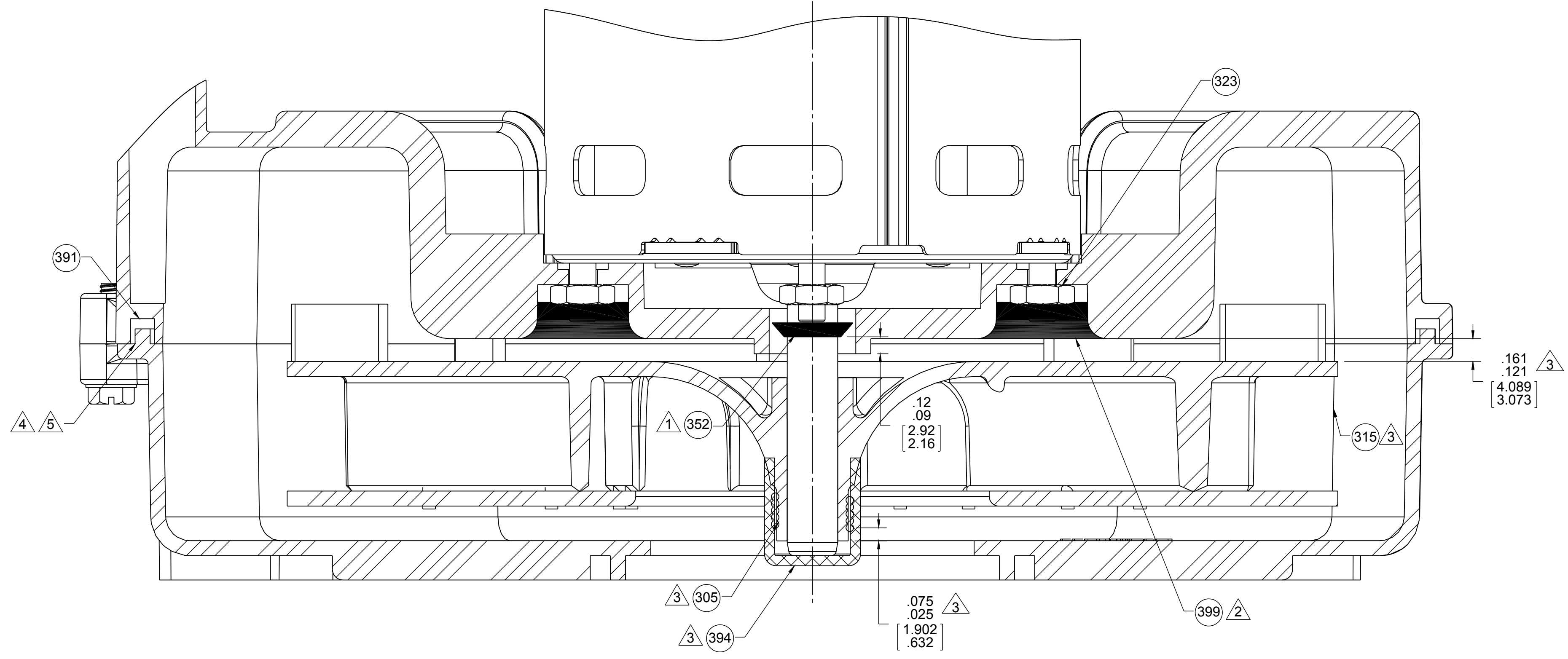
BLOWER WEIGHT
5.0 LBS.

ENDPLAY
.030/.010
[.762/.254]

DRAWING REVISION ECO T	REVISION BY MLS	DATE 2/1/2016	TOLERANCES UNLESS OTHERWISE SPECIFIED: DEC. INCH. mm ANGLE .X ±.01 [-0.25] ° .XX ±0.005 [-0.127] XXX ±0.0005 [-0.0127]	DRAWN BY MLS	DATE 2/1/2016	REGAL™ Regal Beloit America, Inc.
ECO DESCRIPTION ECO-0089587	APPROVED BY SED	DATE 2/1/2016	REMOVED BURRS & BREAK SHARP EDGES: .003/.015 [0.076/.381] X 45° CORNER FILLETS: R.02 [5.1] MACHINED SURFACES: 125/√mm [32/√INCH] (BRACKETS)	APPROVED BY SED	DATE 2/1/2016	DESCRIPTION BLOWER ASSY
<p>REGAL BELLOIT AMERICA, INC. ALL RIGHTS RESERVED. PROPRIETARY AND CONFIDENTIAL INFORMATION - THIS DOCUMENT IS THE PROPERTY OF REGAL BELLOIT AMERICA, INC. OWNERSHIP AND CONFIDENTIALITY RIGHTS ARE RESERVED. ANY PERSON, CORPORATION OR OTHER FIRM RECEIVING IT IS DEEMED TO HAVE AGREED TO THESE TERMS AND CONDITIONS. THIS DOCUMENT SHALL BE RETURNED TO OWNER UPON REQUEST. IT MAY BE SUBJECT TO CERTAIN RESTRICTIONS UNDER APPLICABLE EXPORT CONTROL LAWS AND REGULATIONS.</p>			REFERENCE	MATERIAL	PROCESS/FINISH FLAT BLACK	SHEET 1 OF 2
BLOWER ASSY			SIZE D	DRAWING NUMBER 70624235		

NOTES:

- 1. OIL SLINGER MUST BE LOCATED ON SHAFT AS SHOWN BELOW.
- 2. BEFORE ASSEMBLING IMPELLER TO SHAFT, PRESS ROPE SEALANT AGAINST EXPOSED FACE OF NUTS TO PROTECT FROM CORROSIVES.
- 3. ASSEMBLE COMPRESSION RING TO IMPELLER. LOCATE AS SHOWN ON DRAWING. DIMENSION IS FROM THE END OF IMPELLER HUB TO THE COMPRESSION RING. PRESS IMPELLER ASSEMBLY ONTO SHAFT AND LOCATE AS SHOWN ON DRAWING. THEN ASSEMBLE END CAP OVER THE END OF SHAFT AND IMPELLER HUB.
- 4. LINE UP HOUSING HALVES WITH THREE PILOTS. SECURE WITH EIGHT SCREWS. TORQUE SCREWS TO 7 IN. LBS. MAX. NO AIR GAPS ALLOWED BETWEEN HOUSING HALVES. NOTE: PLASTIC STRIPS AT TORQUE SETTINGS ABOVE 7 IN. LBS.
- 5. WHEN EQUIPPED WITH A WATER SEAL, EVERY 20TH BLOWER IS TO BE CHECKED OFR WATER LEAKAGE. IF LEAKERS ARE DISCOVERED, CONTAC ENGINEERING. USE 1/3 PARTS MR. BUBBLE TO 2/3 PARTS WATER.



SECTION A-A
SCALE 2 : 1

DRAWING REVISION T	REVISION BY MLS	DATE 2/1/2016	TOLERANCES UNLESS OTHERWISE SPECIFIED: DEC. INCH. mm ANGLE .X +0.1 [1.25] .XX +0.01 [0.25] .XXX +0.005 [0.127] XXXX +0.0005 [0.0127]	DRAWN BY MLS	DATE 2/1/2016	DESCRIPTION BLOWER ASSY
ECO-0089587	APPROVED BY SED	DATE 2/1/2016	REMOVED BURRS & BREAK SHARP EDGES: .003/.015 [0.076/.381] X 45° CORNER FILLETS: R.02 [5.1] MACHINED SURFACES: 125/ mm 32/ INCH/mm 32/ mm SHOWN IN [BRACKETS]	APPROVED BY SED	DATE 2/1/2016	MATERIAL FLAT BLACK
ECO DESCRIPTION REDRAWN TO SOLIDWORKS			THIRD ANGLE PROJECTION	SIZE D	DRAWING NUMBER 70624235	SHEET 2 OF 2
COPYRIGHT REGAL BELTOI AMERICA, INC. ALL RIGHTS RESERVED. PROPRIETARY AND CONFIDENTIAL INFORMATION - THIS DOCUMENT IS THE PROPERTY OF REGAL BELTOI AMERICA, INC. OWNERSHIP AND CONFIDENTIALITY OF THIS DOCUMENT IS NOT TO BE DISCLOSED TO ANY PERSON, CORPORATION OR OTHER ENTITY, DUPLICATED, AND/OR USED, EXCEPT AS EXPRESSLY APPROVED IN WRITING IN ADVANCE BY OWNER. THIS DOCUMENT SHALL BE RETURNED TO OWNER UPON REQUEST. IT MAY BE SUBJECT TO CERTAIN RESTRICTIONS UNDER APPLICABLE EXPORT CONTROL LAWS AND REGULATIONS.			REGAL Regal Beloit America, Inc.			