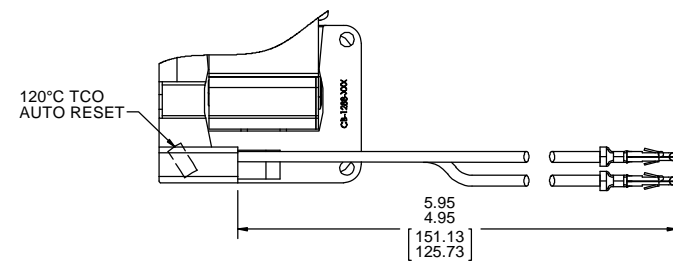
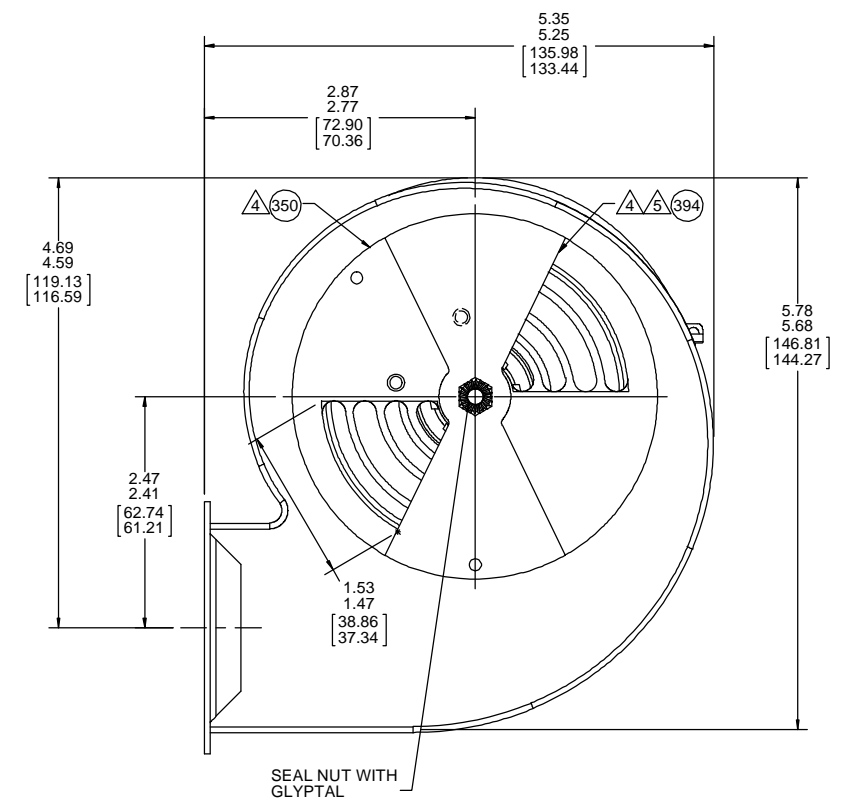
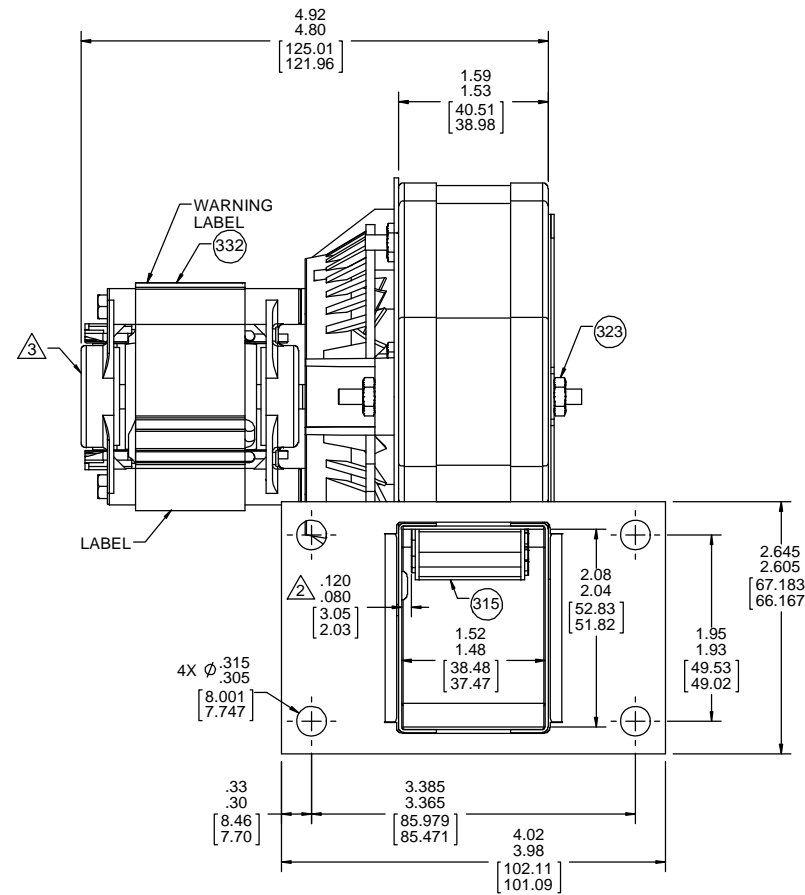
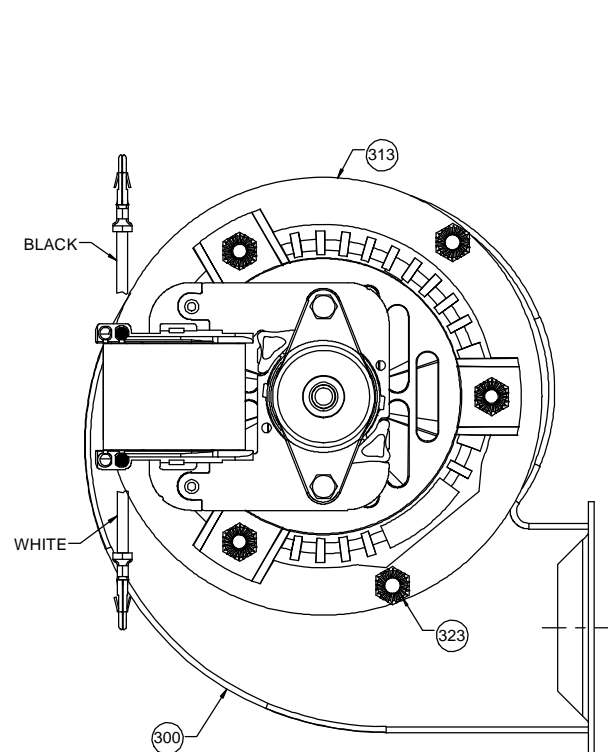


THERMALLY PROTECTED
CLASS "B" INSULATION
SEALED BALL BEARING

APPLICATION:		B	LA	FR	A	S	C	E	B	A
CUSTOMER:	FASCO DIST.	23	58	52	X	17	AW	5	0	0
CUSTOMER PN:	A110									

LEAD MATERIAL
18 GA. 125°C 2/64 INSUL.
X-LINKED POLY.
PIN TERMINAL AMP 350218-3

- NOTES:
- NO STA-LOC REQUIRED ON IMPELLER.
 - MAINTAIN .150/.110 [3.810/2.794] BETWEEN BACKPLATE OF IMPELLER AND MOUNTING PLATE ON PRODUCTION LINE.
MAINTAIN .120/.080 [3.048/2.032] BETWEEN BACKPLATE OF IMPELLER AND INSIDE OF HOUSING ON COMPLETION OF BLOWER ASSEMBLY.
 - REAR SHAFT EXTENSION TO BE FLUSH TO BELOW BEARING STRAP.
 - POSITION PC 394 RESTRICTOR PLATE AND PC 350 DIMPLE PLATE AS SHOWN.
 - PC 394 RESTRICTOR PLATE HAS (2) DIMPLES AND TO BE LOCATED WITH DIMPLES DOWN.
 - TEST WITH PC 394 RESTRICTOR PLATE AND PC 350 DAMPER PLATE IN CORRECT POSITION AS SHOWN. NO EXHAUST RESTRICTOR.
 - PACK 1 PER CONTAINER, 30 CONTAINERS PER LAYER, 4 LAYERS PER PALLET, 120 MAX. AMOUNT PER PALLET. PACKING ASSEMBLY 87854707, PER 88834200 AND 88834408.
 - CARTON LABELS MUST ALL FACE ONE DIRECTION TOWARD THE OPEN END OF THE PALLET. SEE 88834408.
 - NO PACKAGING TAPE OVER CARTON LABELS.



TYPICAL PERFORMANCE TEST DATA IN FREE AIR			
AT 115 VOLTS 60 Hz			
	RPM	WATTS	AMPS
	3194	42	.7
BLOWER WEIGHT	4 LBS.		ENDPLAY .XX/XX

DRAWING REVISION FA	REVISION BY JMG	DATE 12/14/2018	TOLERANCES UNLESS OTHERWISE SPECIFIED: DEC. INCH mm ANGLE ±1°	DRAWN BY MLM	Regal Beloit America, Inc.
ECO-0158270	APPROVED BY BAA	DATE 12/14/2018	DATE 11/1/2016	DATE 11/1/2016	
REVISOR DESCRIPTION REVISED BACK BRG STRAP ON MTR. UPDATE BLW.			APPROVED BY JMG	DATE 11/1/2016	DESCRIPTION BLOWER ASSY
BLOWER WEIGHT 4 LBS.			ENDPLAY .XX/XX	MATERIAL FLAT BLACK MTR: NAT	PROCESS/FINISH MTR: NAT
DRAWING NUMBER 70581380			SIZE D	THIRD ANGLE PROJECTION	SHEET 1 OF 1