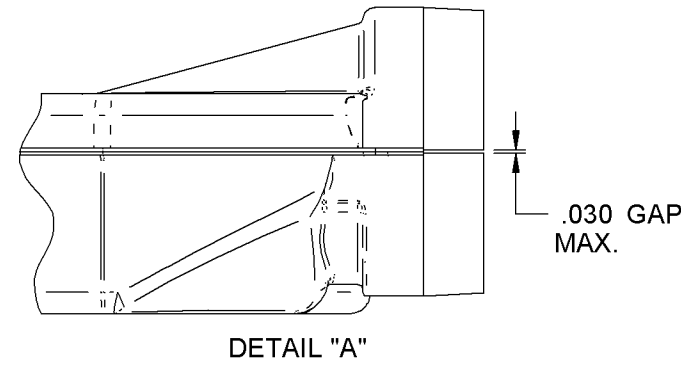


NOTES:

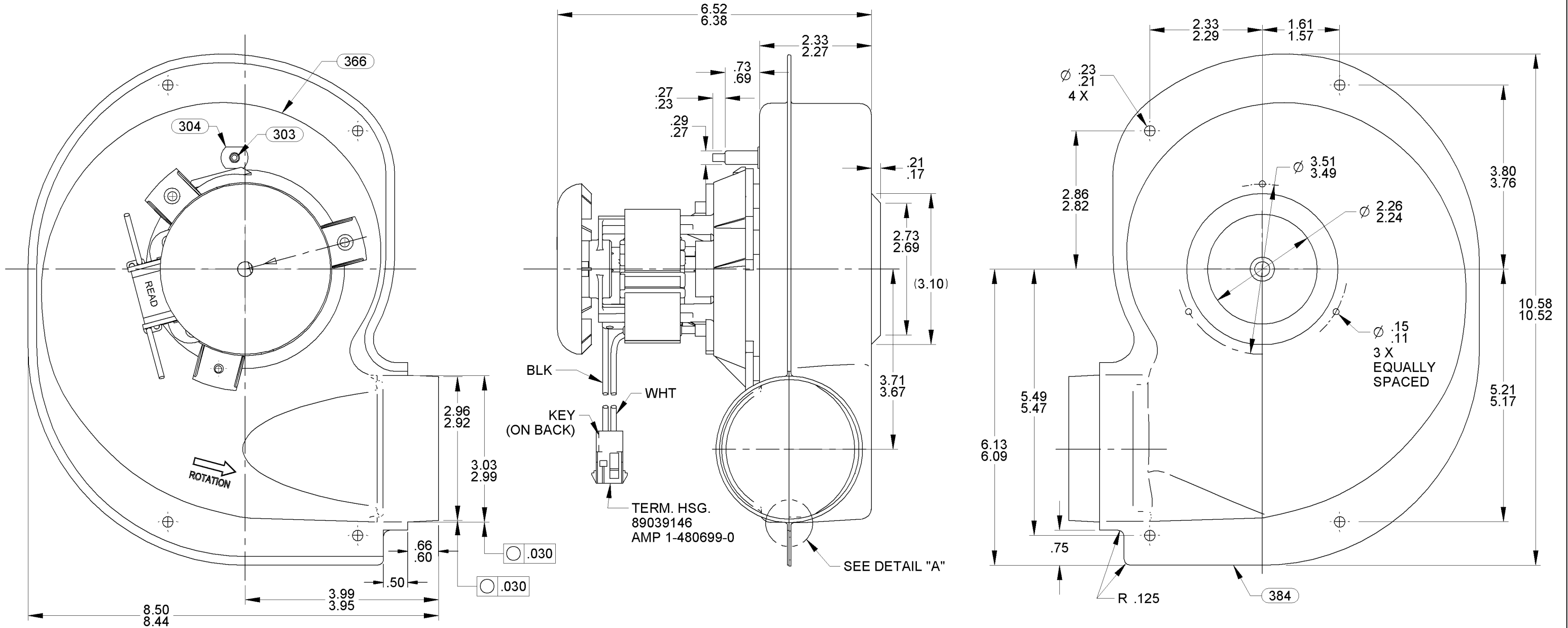
1. IMPELLER TO BE MEASURED .220/.180 FROM INSIDE OF HSG. TO BACKPLATE OF IMPELLER.
2. STATIC TAP READING IS TO BE - 1.10 MINIMUM CORRECTED TO STANDARD AIR (0.075 LB/FT³) WITH A 1 3/4 INLET RESTRICTOR.
3. INSPECTION TEST FIXTURING IS REQUIRED.
4. ROTOR CORE, STATOR CORE AND STATOR BAR ASSEMBLIES ARE COATED WITH TWIN EMULSION.
5. PACK 1 PER CONTAINER, 9 CONTAINERS PER LAYER, 4 LAYERS PER PALLET, 36 MAX. AMOUNT PER PALLET, PACKING ASSY; 87854752. PER P.S. 88834200 AND P.S. 88834408.
6. CARTON LABELS MUST ALL FACE ONE DIRECTION TOWARD THE OPEN END OF THE PALLET. SEE P.S. 88834408.
7. NO PACKAGING TAPE OVER CARTON LABEL.



APPLICATION 80+ FURNACE
 THERMALLY PROTECTED CLASS "B" INSULATION
 SEALED BALL BEARING
 416 SS SHAFT

B	LA	FR	A	S	C	E	B	A
GE	58	48	X	17	BV	5	0	0
CUSTOMER FASCO DIST.								
CUSTOMER PART NO. A100								

LEAD MATERIAL
 18 GA. 125°C 2/64 INSUL.
 X-LINKED POLY, BLK, WHT,
 6.50/5.50 TO BACK OF TERM. HSG.
 W/ SOCKET TERMS. 89039084
 AMP 350536-1



TYPICAL PERFORMANCE TEST DATA WITH A 1 3/4 INLET RESTRICTOR

AT 115 VOLTS 60 HZ.

ECO. NO.	REV.	DATE	APPROVAL	R.P.M.	WATTS	AMPS
4003116	00	09/06/11	MLM/PLA	2897	77	1.29
4004614	01	02/21/2012	MLM/PLA			
4010537	02	10/10/2013	JMC/SDM			
4010962	03	12/9/2013	MLS/PLA			

BLOWER WEIGHT
5 1/2 LBS.

END PLAY
.XX/XX

UNLESS OTHERWISE SPECIFIED DIMENSIONS ARE IN INCHES TOLERANCES ARE:
 FRACTIONS ± 1/16
 DECIMALS XX ± .01
 ANGLES XXX ± .005

APPROVALS	DATE
DRAWN MLM	9/6/11
CHECKED PLA	9/6/11
FINISH COLOR NATURAL	

FASCO FASCO MOTORS GROUP
AC MOTOR/BLOWER DIVISION

CONFIDENTIAL: DO NOT DUPLICATE OR DISCLOSE TO THIRD PARTIES WITHOUT WRITTEN PERMISSION OF FASCO MOTORS GROUP, AC MOTOR/BLOWER DIVISION.

TITLE BLOWER ASSEMBLY		
SIZE B	DWG. NO. 7058 1811	REV. 03
DO NOT SCALE DRAWING		SHEET 1 OF 1