

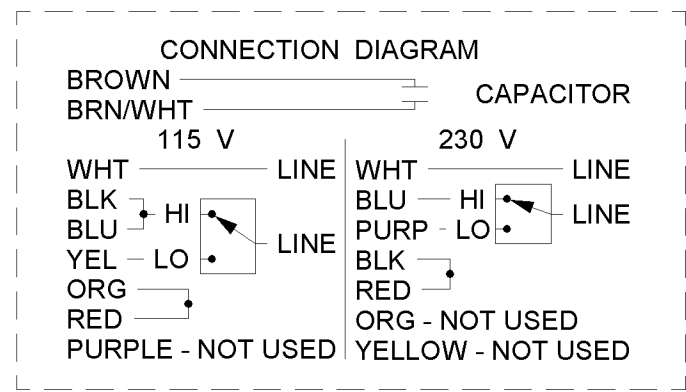
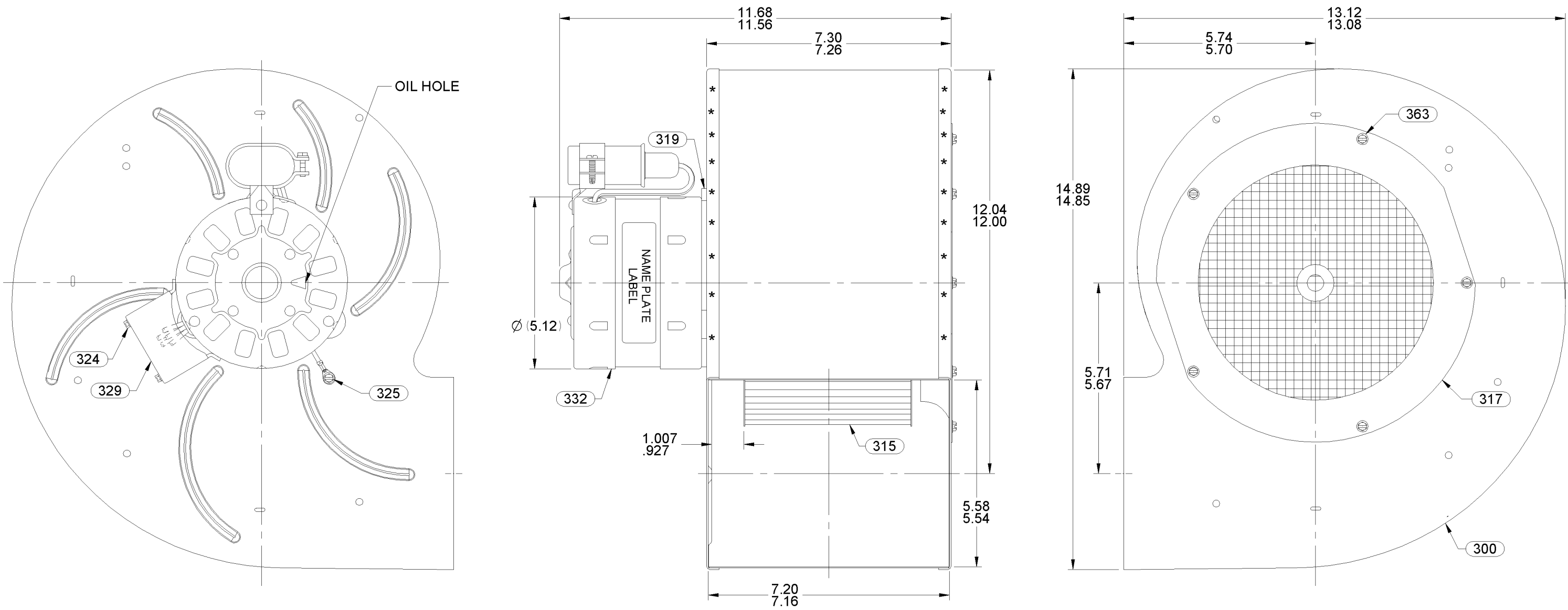
NOTES:

1. NO KNOCKOUTS REMOVED.
2. ATTACH GROUND STRAP TO PC 300 BLOWER HOUSING WITH PC 325 SCREW AS SHOWN.
3. COIL LEADS INSIDE CONDUIT BOX AND SECURE PC 329 COVER WITH PC 324 SCREWS AFTER TESTING.
4. PACK 1 PER CONTAINER, 8 MAX. PER PALLET, PACKING ASSY. 8785-4833, 4 CONTAINERS PER LAYER, 2 LAYERS PER PALLET, P.S. 8883-4200 AND P.S. 8883-4408.
5. CARTON LABELS MUST ALL FACE ONE DIRECTION TOWARD THE OPEN END OF THE PALLET. SEE P.S. 8883 4408.
6. NO PACKAGING TAPE OVER CARTON LABEL.

LEAD MATERIAL
 18 GA. 125°C 2/64 INSUL.
 EPDM. (1) BLACK, (1) RED,
 (1) YELLOW, (1) BLUE,
 (1) PURPLE, AND (1) ORANGE
 8.00/6.00 IN. LONG
 .56/.44 STRIP

APPLICATION
 THERMALLY PROTECTED
 CLASS "B1" INSULATION
 GROUND LEAD MATERIAL
 18 GA. 105°C 2/64 INSUL.
 THERMO. GRN/YEL
 4.00/3.00 IN. LONG
 W/ RING TERM. 8902-0157
 AMP 350436-2

B	LA	FR	A	S	C	E	B	A
09	86	10	V	06	AN	9	7	0
CUSTOMER FASCO DIST.								
CUSTOMER PART NO. A1000								
CAPACITOR LEAD MATERIAL 18 GA. 125°C 2/64 INSUL. EPDM. (1) BROWN, AND (1) BRN/WHT W/TERM. 1/4 FLAG								



ECO. NO.				TYPICAL PERFORMANCE TEST DATA IN FREE AIR				UNLESS OTHERWISE SPECIFIED DIMENSIONS ARE IN INCHES TOLERANCES ARE:			FASCO FASCO MOTORS GROUP AC MOTOR/BLOWER DIVISION							
ECO. NO.	REV.	DATE	APPROVAL	AT	115 VOLTS	60 HZ.	R.P.M.	WATTS	AMPS	FRACTIONS ± 1/16	DECIMALS .XX ± .01 .XXX ± .005	ANGLES ± 1°	APPROVALS	DATE	TITLE	SIZE	DWG. NO.	REV.
C440478	04	10/15/10	SMC/JMC	HIGH			1108	315	3.27				DRAWN SDM	10/30/2007	BLOWER ASSEMBLY	B	7086 0202	05
4002272	05	06/07/11	MLM/KSA	LOW			959	301	3.98				CHECKED VLL	10/30/2007				
				BLOWER WEIGHT				END PLAY				FINISH COLOR	BLACK		DO NOT SCALE DRAWING	SHEET	1 OF 1	
				18.25 LBS.														

If Printed, this is an Uncontrolled Document.