

NOTES:

1. AFTER TESTING, COIL LEADS INSIDE CONDUIT BOX AND SECURE PC 329 COVER USING PC 324 SCREWS.
2. NO KNOCKOUTS TO BE REMOVED.
3. PACK 1 PER CONTAINER , 36 MAX. PER PALLET 12 CONTAINERS PER LAYER, 3 LAYERS PER PALLET. PACKING ASSY. : 8785 4768 P.S. 8883 4200 AND P.S. 8883 4408.
4. CARTON LABELS MUST ALL FACE ONE DIRECTION TOWARD THE OPEN END OF THE PALLET. SEE P.S. 8883 4408.
5. NO PACKAGING TAPE OVER CARTON LABEL.

APPLICATION INFLATABLE SIGN

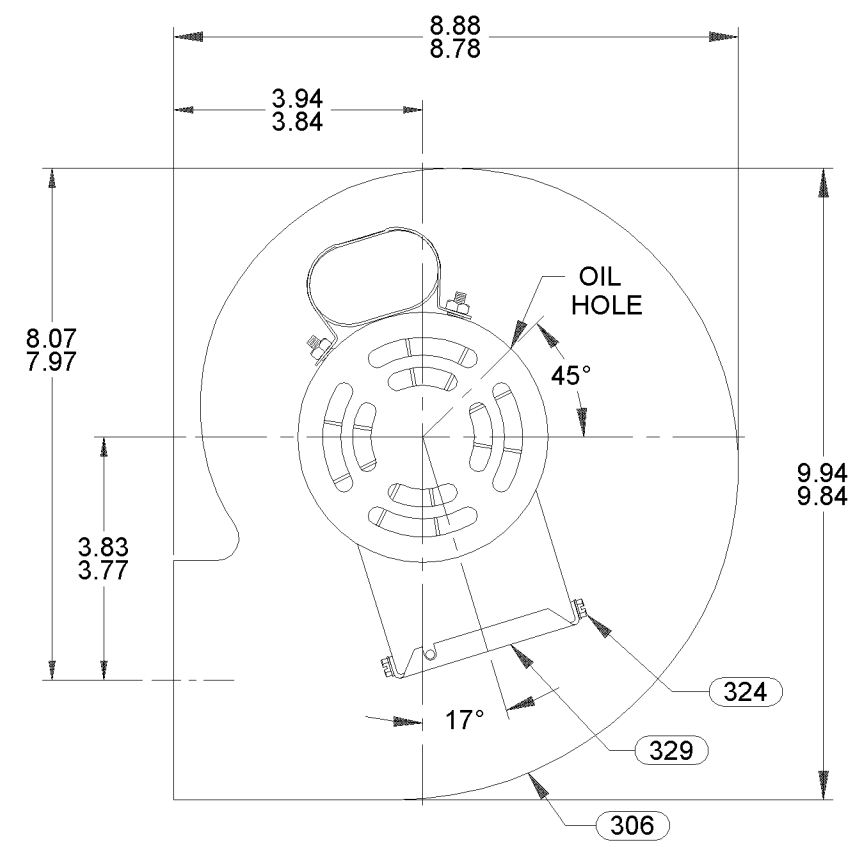
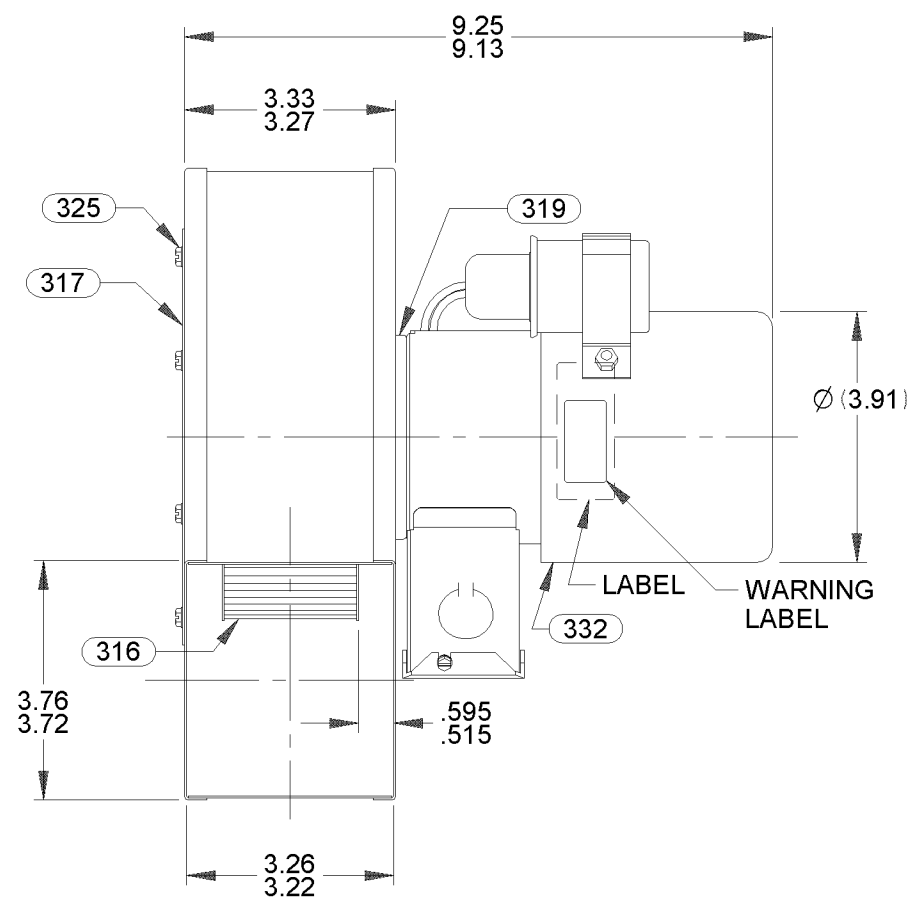
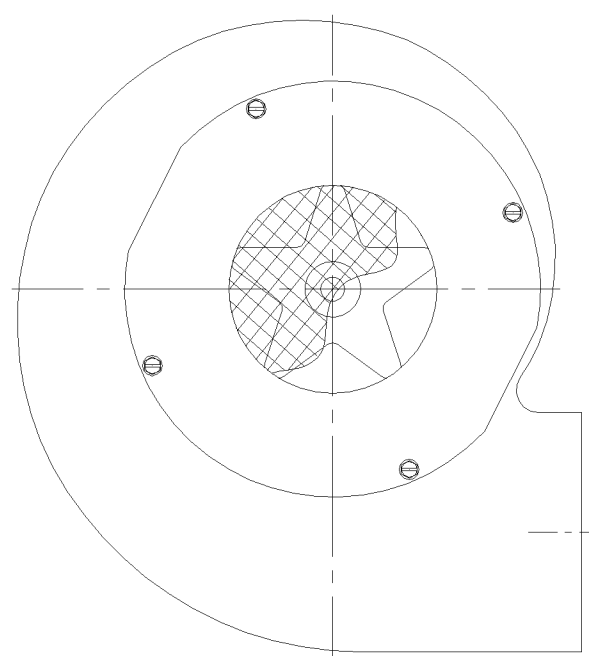
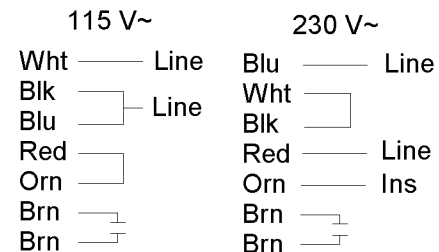
B	LA	FR	A	S	C	E	B	A
18	62	28	V	08	CW	9	5	0
CUSTOMER							FASCO DIST.	
CUSTOMER PART NO.							A087	

THERMALLY PROTECTED  
CLASS B INSULATION  
416 S.S. SHAFT

LEAD MATERIAL  
18 GA. 2/64 INS. 125°C ,  
X-LINKED POLY. , WHITE, BLACK ,  
BLUE , RED , AND ORANGE  
14.00/12.00 IN. LONG  
WITH .56/.44 IN. STRIP

CAPACITOR LEADS  
18 GA. 2/64 INS. 125°C ,  
X-LINKED POLY. , BROWN  
6.00/4.00 IN. LONG  
WITH FFLAG TERMINALS

Connection Diagram



TYPICAL PERFORMANCE TEST DATA IN FREE AIR

ECO. NO.	REV.	DATE	APPROVAL	AT 115 VOLTS 60 HZ.			APPROVALS	DATE
				R.P.M.	WATTS	AMPS		
4002608	04	7/11/11	MLM/PLA	2550	312	2.85	ATM	02/14/2005
							SMM	02/14/2005
				BLOWER WEIGHT 9.25 LBS.		END PLAY .030 / .010	FINISH COLOR GRAY	

UNLESS OTHERWISE SPECIFIED DIMENSIONS ARE IN INCHES TOLERANCES ARE:  
FRACTIONS ± 1/16 DECIMALS .XX ± .01 .XXX ± .005 ANGLES ± 1°

**FASCO** FASCO MOTORS GROUP  
AC MOTOR/BLOWER DIVISION

CONFIDENTIAL: DO NOT DUPLICATE OR DISCLOSE TO THIRD PARTIES WITHOUT WRITTEN PERMISSION OF FASCO MOTORS GROUP, AC MOTOR/BLOWER DIVISION.

TITLE: **BLOWER ASSEMBLY**

SIZE **B** DWG. NO. 7062 5719 REV. **04**

DO NOT SCALE DRAWING SHEET 1 OF 1