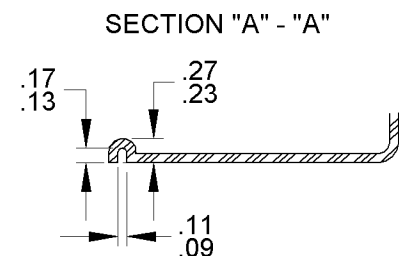
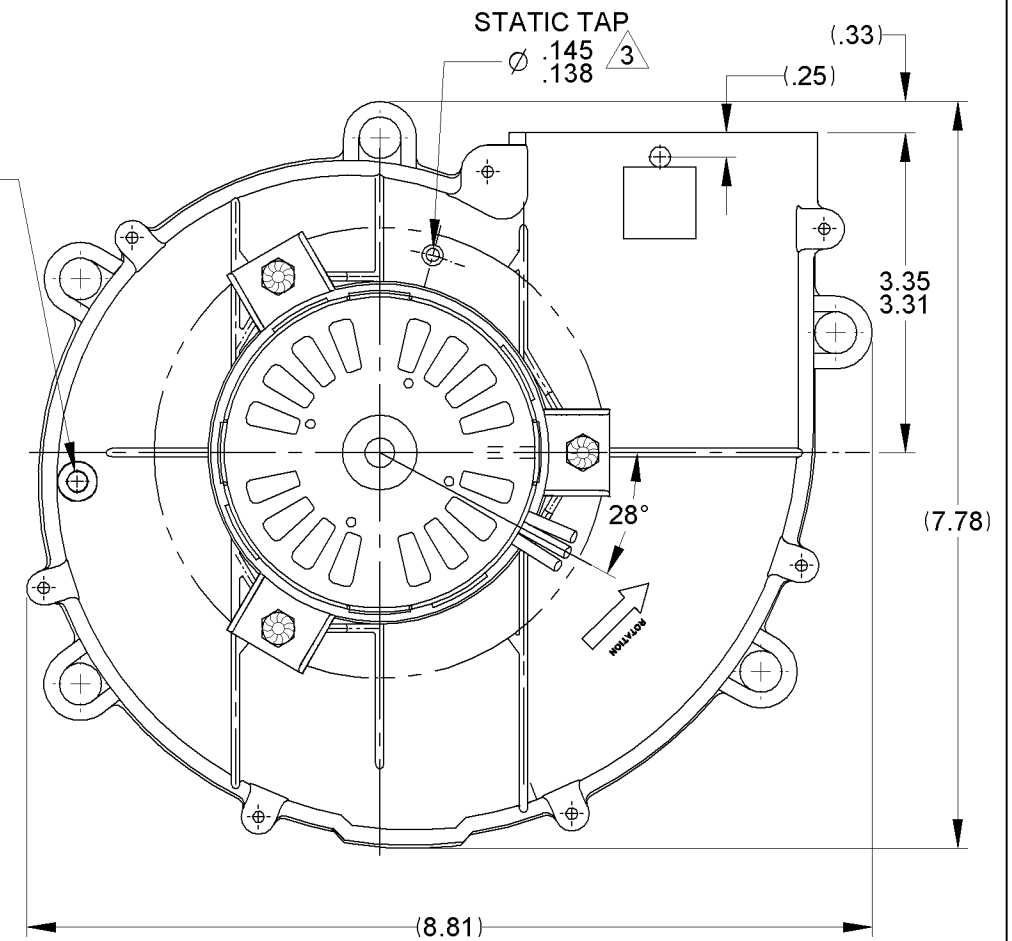
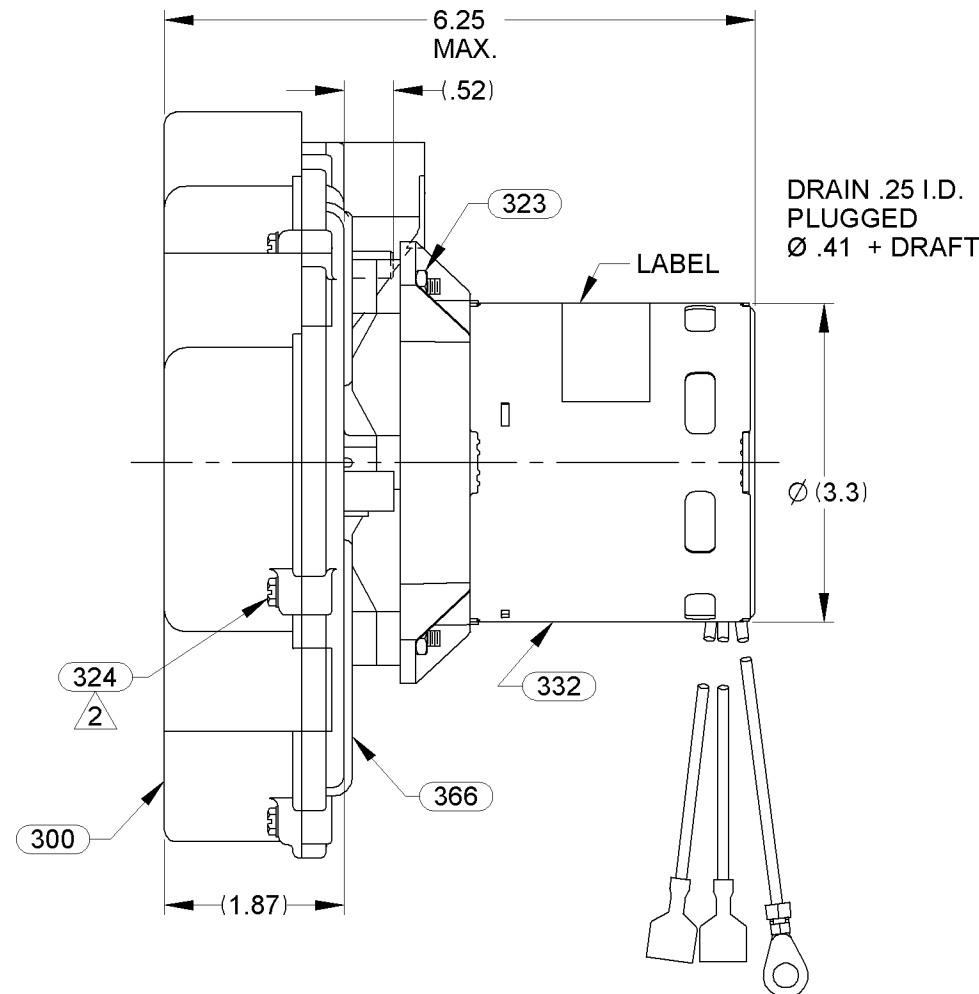
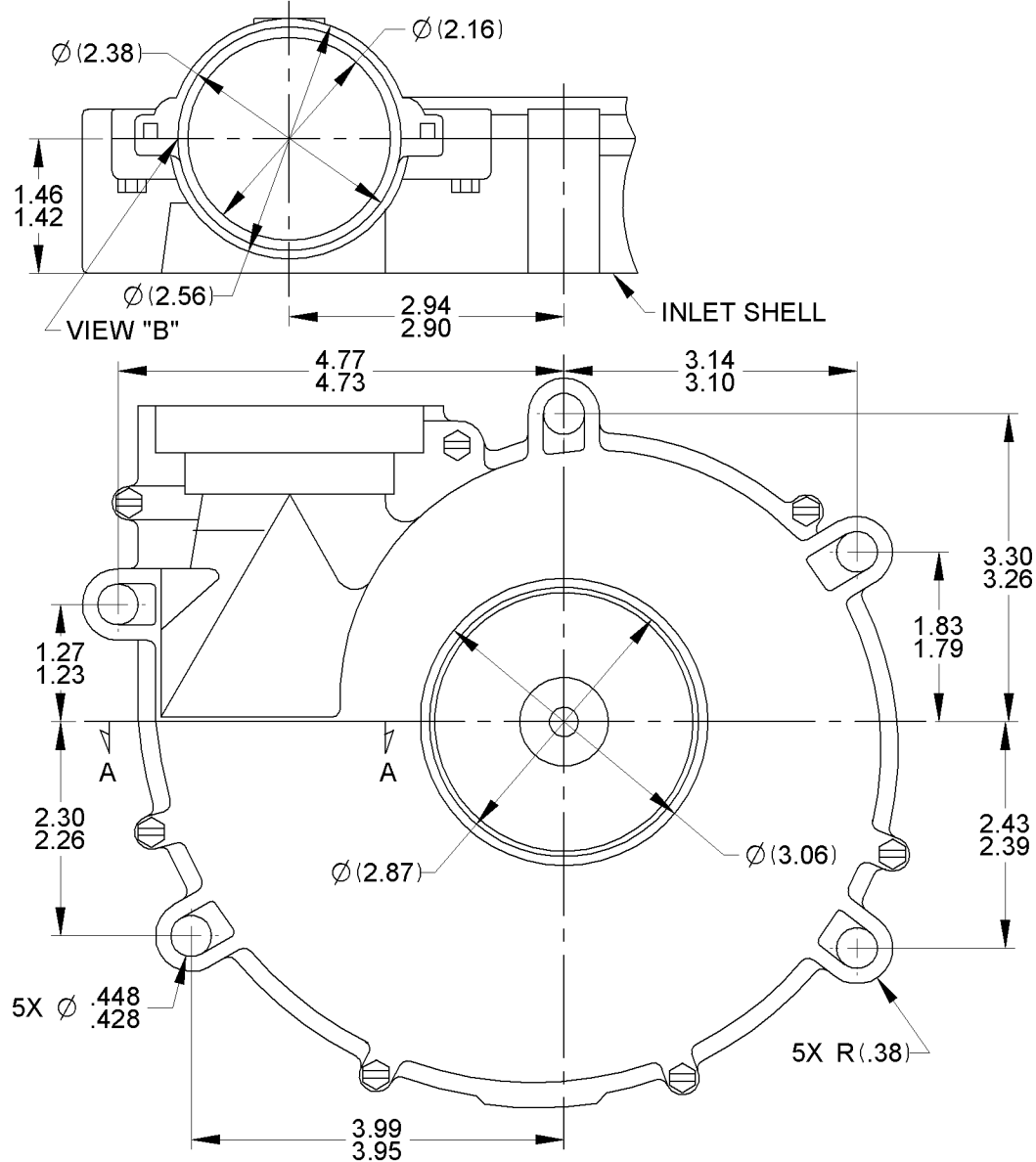
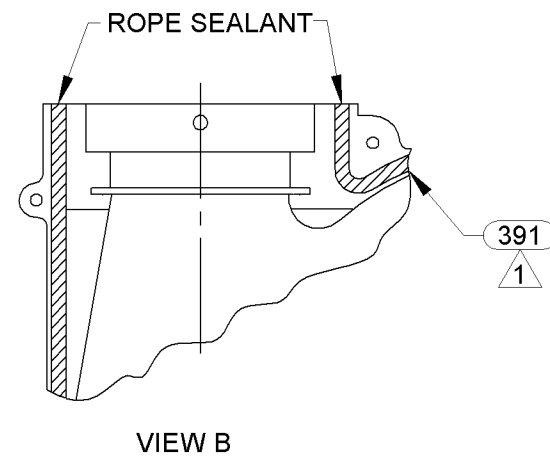


NOTES:

1. LAY PC 391 ROPE SEALANT IN CHANNEL PROVIDED IN MTG. SHELL.
2. ASSEMBLE INLET SHELL TO MTG. SHELL AND SECURE WITH (7) PC 324 SCREWS. TRIM EXCESS ROPE SEALANT FROM FACE OF BLOWER EXHAUST.
3. STATIC TAP HOLE TO BE FREE OF FLASH.
4. PACK 1 PER CONTAINER, 36 MAX. PER PALLET, 12 CONTAINERS PER LAYER, 3 LAYERS PER PALLET, PACKING ASSY.: 87854866, P.S. 88834200, P.S. 88834408.
5. PACK (1) PC 377 GASKET IN EACH CONTAINER.
6. INSPECTION TEST FIXTURE REQUIRED.
7. CARTON LABELS MUST ALL FACE ONE DIRECTION TOWARD THE OPEN END OF THE PALLET. SEE P.S. 88834408.
8. NO PACKING TAPE OVER CARTON LABEL.

APPLICATION	HIGH EFFICIENCY FURNACE	B	LA	FR	A	S	C	E	B	A
		41	21	47	V	05	0A	5	0	0
THERMALLY PROTECTED CLASS "B" INSULATION SEALED BALL BEARING 416 S.S. SHAFT		CUSTOMER FASCO DIST								
LEAD MATERIAL 18 GA. 125°C, 2/64 INS. X-LINK POLY., (2) BLACK 7.50/5.50 IN. LONG W/MSPADE TERMS. 8903-9148 AMP# 2-520102-2		CUSTOMER PART NO. A086								
		LEAD MATERIAL 18 GA. 125°C, 2/64 INS. X-LINK POLY., GRN/YEL 8.00/6.00 IN. LONG W/RING TERM.8903-9251 AMP# 60700-2								



ECO. NO.	REV.	DATE	APPROVAL
4002972	26	08/16/2011	SDM/PLA
4003899	27	12/2/11	MLM/SED
4005711	28	06/12/12	MLM/KSA
4008133	29	02/08/2013	MLM/SED

PERFORMANCE TEST DATA	
TEST PERFORMANCE WITH INLET RESTRICTOR TO 1 1/4 IN. * TEST COMPLETE BLOWER AT 115 V 60 HZ WITH ENTERING AIR AT 70° ± 5° F.	
(A) BLOWER R.P.M. TO READ 3430 ± 20 R.P.M.	
(B) STATIC TAP VACUUM TO READ 1.0" TO 1.3" WHEN CORRECTED TO STANDARD AIR ( 0.075 LB/FT <sup>3</sup> )	
BLOWER WEIGHT	END PLAY
4 1/2 LBS.	.XX/XX

UNLESS OTHERWISE SPECIFIED DIMENSIONS ARE IN INCHES TOLERANCES ARE:		
FRACTIONS	DECIMALS	ANGLES
± 1/16	XX ± .01	± 1°
	XXX ± .005	
APPROVALS		DATE
DRAWN	JMH	07/22/2008
CHECKED	SED	07/22/2008
FINISH COLOR		FLAT BLACK

<b>FASCO</b> FASCO MOTORS GROUP AC MOTOR/BLOWER DIVISION	
CONFIDENTIAL: DO NOT DUPLICATE OR DISCLOSE TO THIRD PARTIES WITHOUT WRITTEN PERMISSION OF FASCO MOTORS GROUP, AC MOTOR/BLOWER DIVISION.	
TITLE BLOWER ASSEMBLY	
SIZE B	DWG. NO. 7021 7395
DO NOT SCALE DRAWING	SHEET 1 OF 2
REV. 29	