

THERMALLY PROTECTED
CLASS "B" INSULATION
SEALED BALL BEARING
416 SS SHAFT

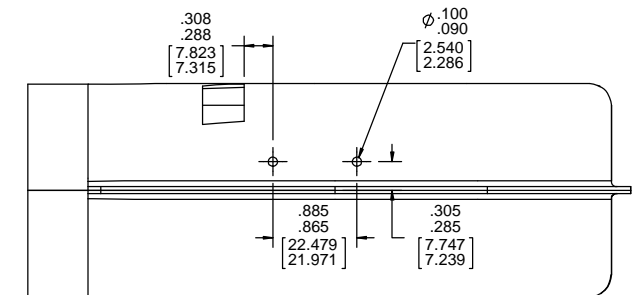
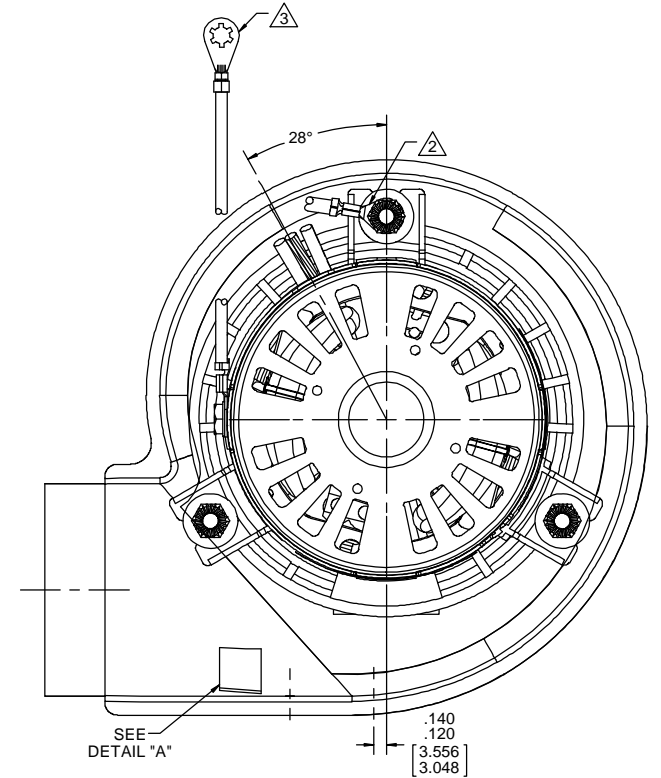
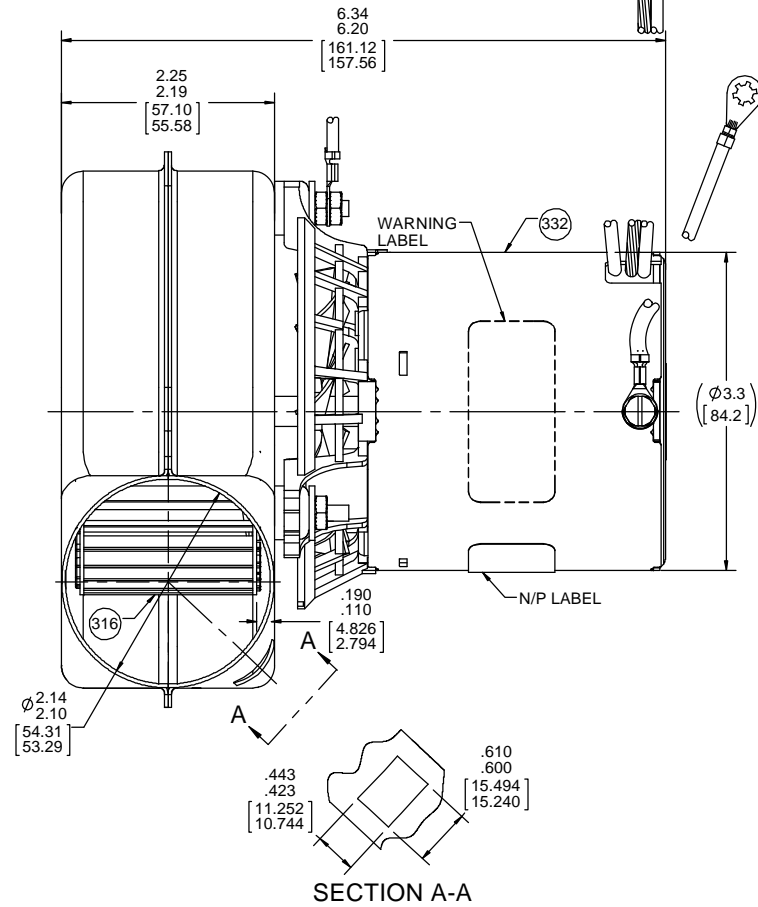
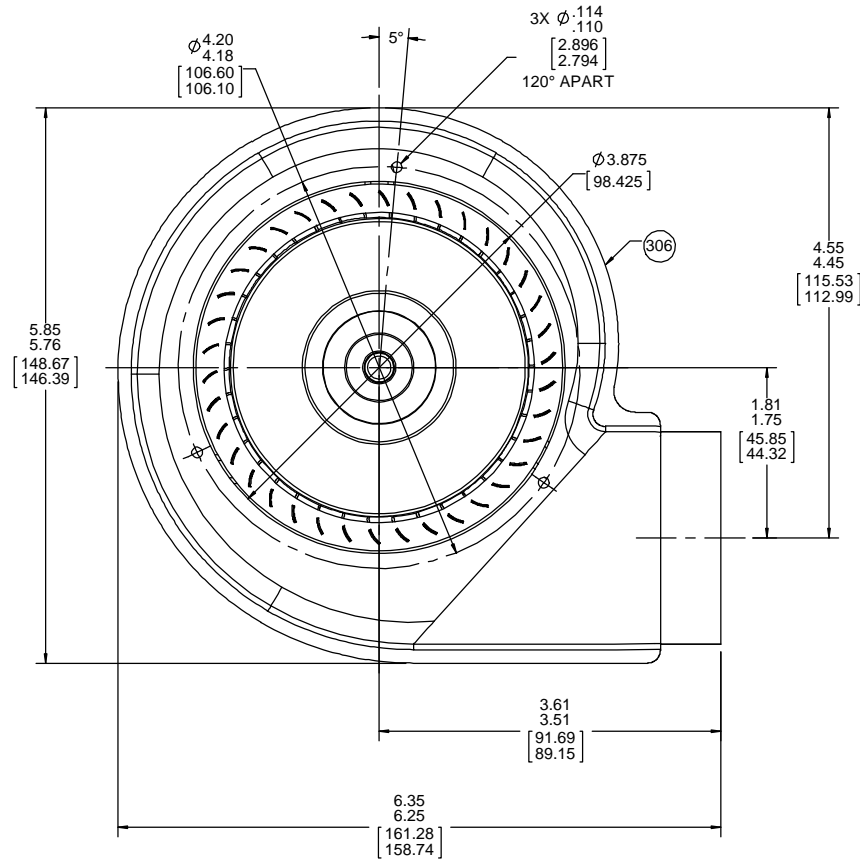
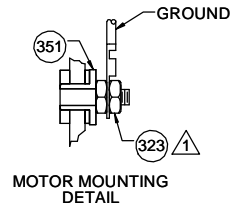
APPLICATION:		B	LA	FR	A	S	C	E	B	A
CUSTOMER:	FASCO DIST.	06	21	47	V	04	AX	5	0	0
CUSTOMER PN:	A085									

- NOTES:
- ASSEMBLE GROUND STRAP BETWEEN (2) PC 323 NUTS.
 - BECKETT AIR IMPELLER MUST BE USED.
 - PACK 1 PER CONTAINER, 30 CONTAINERS PER LAYER, 5 LAYERS PER PALLET, 150 MAX. PER PALLET, PACKING ASSY. 87855523, PER 88834200 AND 88834408.
 - CARTON LABELS MUST ALL FACE ONE DIRECTION TOWARD THE OPEN END OF THE PALLET. SEE 88834408.
 - NO PACKAGING TAPE OVER CARTON LABEL.

LEAD MATERIAL
18 GA. 105°C 4/64 INSUL.
THERMO. (2) COND.
PARALLEL BLACK
26.00/24.00 [660.40/609.60]
7.25/6.25 [184.15/158.75] RIP
.81/69 [20.57/17.53] STRIP

MOTOR GROUND LEAD MATERIAL
18 GA. 125°C 2/64 INSUL.
X-LINKED POLY.
GRN/YEL
6.50/4.50 [165.10/114.30]
RING TERM.
AMP 61794-1

GROUND LEAD ASSY.
18 GA. 125°C 2/64 INSUL.
X-LINKED POLY.
GRN/YEL
13.00/11.00 [330.20/279.40]
RING TERM.
AMP 3050436-2



TYPICAL PERFORMANCE TEST DATA IN FREE AIR			
AT 230 VOLTS 60 Hz			
	RPM	WATTS	AMPS
	3067	96	.61
BLOWER WEIGHT	3 3/4 LBS.		ENDPLAY .XX/XX

DRAWING REVISION AA	REVISION BY MLS	DATE 8/23/2018	TOLERANCES UNLESS OTHERWISE SPECIFIED: DEC. INCH mm ANGLE .X ±0.1 #2.5 ±1° .XX ±0.01 #0.25 .XXX ±0.005 #0.127 XXXX ±0.0005 #0.0127	DRAWN BY MLS	DATE 8/23/2018	DESCRIPTION OUTLINE BLOWER ASSY
ECO-0151146	APPROVED BY SDM	DATE 8/23/2018	REMOVE BURRS & BREAK SHARP EDGES: .003/.015 [.076/.381] X 45° CORNER FILLETS: R.02 [.51] MACHINED SURFACES: 125 INCR/MLV mm SHOWN IN [BRACKETS]	APPROVED BY SDM	DATE 8/23/2018	MATERIAL PROCESS/FINISH BLACK
<small> COPYRIGHTED REG. U.S. PAT. & TM. OFF. ALL RIGHTS RESERVED. PROPRIETARY AND CONFIDENTIAL INFORMATION - THIS DOCUMENT IS THE PROPERTY OF REGAL BELOIT AMERICA, INC. CONSENT AND CONFIRMATION OWNERS PROPRIETARY INFORMATION, ANY PERSON, CORPORATION OR OTHER FIRM RECEIVING IT IS DEEMED, BY RECEIVING IT, TO AGREE THAT IT, AND/OR ANY PART OF IT, SHALL NOT BE DISCLOSED TO ANY PERSON, CORPORATION OR OTHER ENTITY, DUPLICATED, AND/OR USED, EXCEPT AS EXPRESSLY APPROVED IN WRITING IN ADVANCE BY OWNER. THIS DOCUMENT SHALL BE RETURNED TO OWNER UPON REQUEST. IT MAY BE SUBJECT TO CERTAIN RESTRICTIONS UNDER APPLICABLE EXPORT CONTROL LAWS AND REGULATIONS. </small>			THIRD ANGLE PROJECTION 	REFERENCE SIZE DRAWING NUMBER 702111570	SHEET 1 OF 1	

Regal Beloit America, Inc.

OUTLINE BLOWER ASSY

702111570