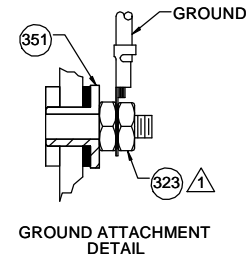


THERMALLY PROTECTED  
CLASS "B" INSULATION  
SEALED BALL BEARING  
416 SS SHAFT

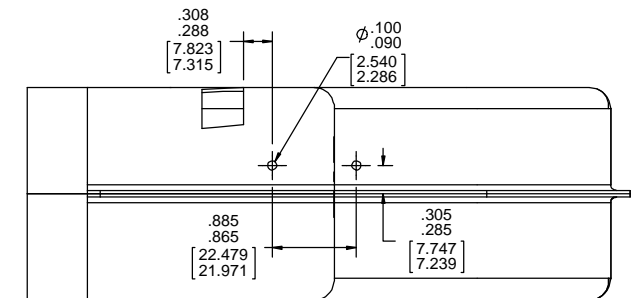
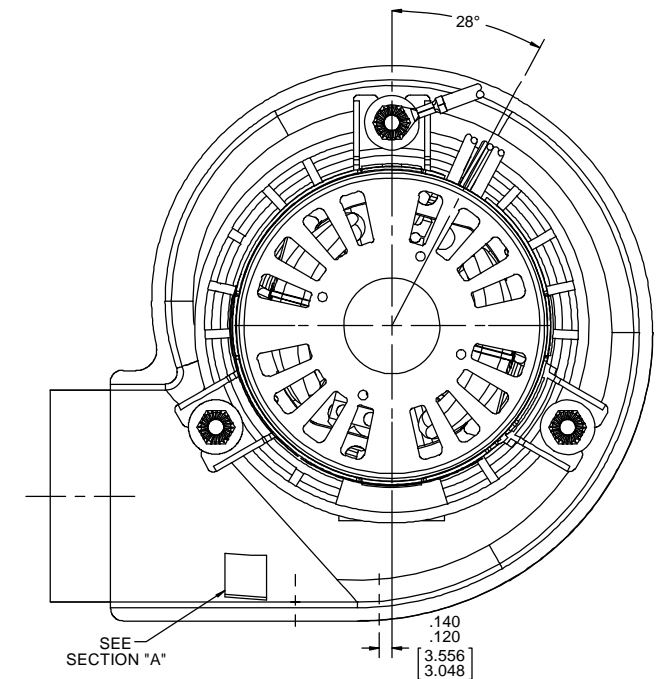
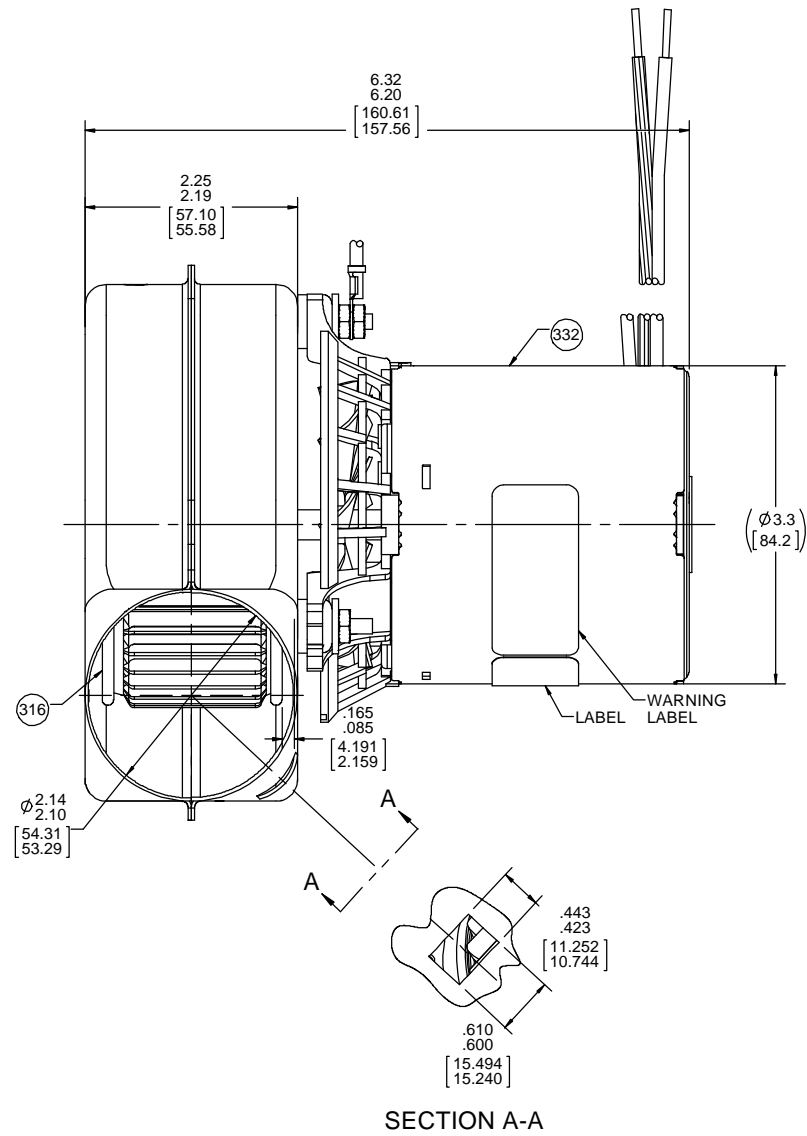
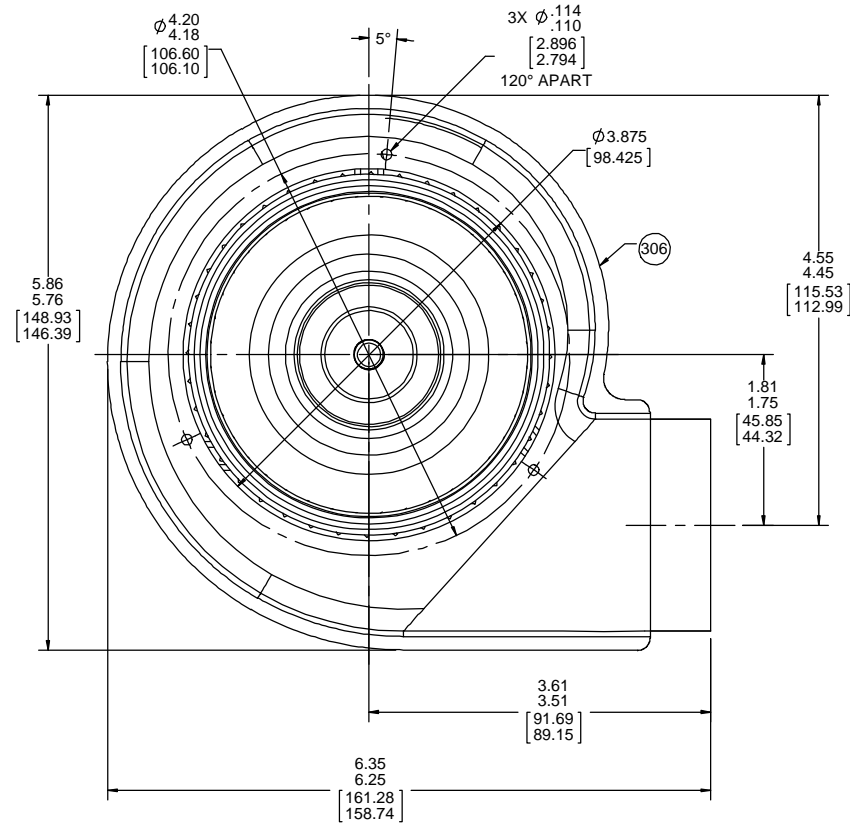
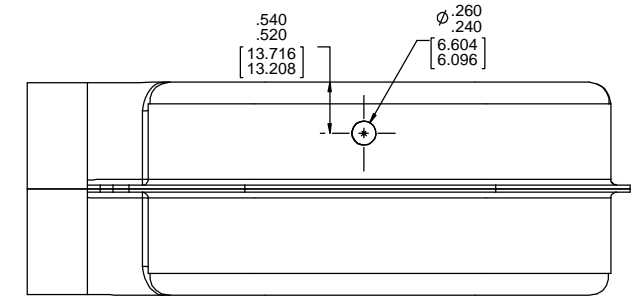
APPLICATION:	DRAFT BOOSTER	B	LA	FR	A	S	C	E	B	A
CUSTOMER:	FASCO DIST.	06	21	47	V	04	BV	5	0	0
CUSTOMER PN:	A081	FINISH: BLOWER - BLACK, MOTOR - BLACK								

- NOTES:
- ASSEMBLE GROUND STRAP BETWEEN (2) PC 323 NUTS.
  - BECKETT AIR IMPELLER MUST BE USED.
  - PACK 1 PER CONTAINER, 30 CONTAINERS PER LAYER, 5 LAYERS PER PALLET, 150 MAX. PER PALLET, PACKING ASSY. 87854000, PER 88834200 AND 88834408.
  - CARTON LABELS MUST ALL FACE ONE DIRECTION TOWARD THE OPEN END OF THE PALLET. SEE 88834408.
  - NO PACKAGING TAPE OVER CARTON LABEL.



LEAD MATERIAL  
18 GA. 105°C 4/64 INSUL.  
THERMO. (2) COND.  
PARALLEL BLACK  
26.00/24.00 [660.40/609.60]  
7.25/6.75 [184.15/171.45] SPLIT  
.81/.68 [20.57/17.27] STRIP

GROUND LEAD MATERIAL  
18 GA. 125°C 2/64 INSUL.  
X-LINKED POLY.  
GRN/YEL  
6.50/4.50 [165.10/114.30]  
WRING TERM.  
AMP 61794-1



TYPICAL PERFORMANCE TEST DATA IN FREE AIR			
AT 230 VOLTS 60 Hz			
	RPM	WATTS	AMPS
	3178	70	.46
BLOWER WEIGHT LBS.			ENDPLAY .XX/XX

DRAWING REVISION AC	REVISION BY FDP	DATE 12/7/2018	TOLERANCES UNLESS OTHERWISE SPECIFIED: DEC. INCH mm ANGLE .X ±0.1 [±2.5] ±1° .XX ±0.01 [±0.25] .XXX ±0.005 [±0.127] XXXX ±0.0005 [±0.0127]	DRAWN BY MLS	DATE 5/8/2018	Regal Beloit America, Inc.
ECO-0156378	APPROVED BY MLS	DATE 12/7/2018	REMOVE BURRS & BREAK SHARP EDGES: .003/.015 [0.076/.381] X 45° CORNER FILLETS: R.02 [±.51] MACHINED SURFACES: 125 mm SHOWN IN [BRACKETS]	APPROVED BY BAA	DATE 5/8/2018	DESCRIPTION OUTLINE BLOWER ASSY
BLOWER WEIGHT LBS.			THIRD ANGLE PROJECTION	REFERENCE	SIZE D	PROCESS/FINISH
BLOWER WEIGHT LBS.			DRAWING NUMBER 70216564	SHEET 1 OF 1		