

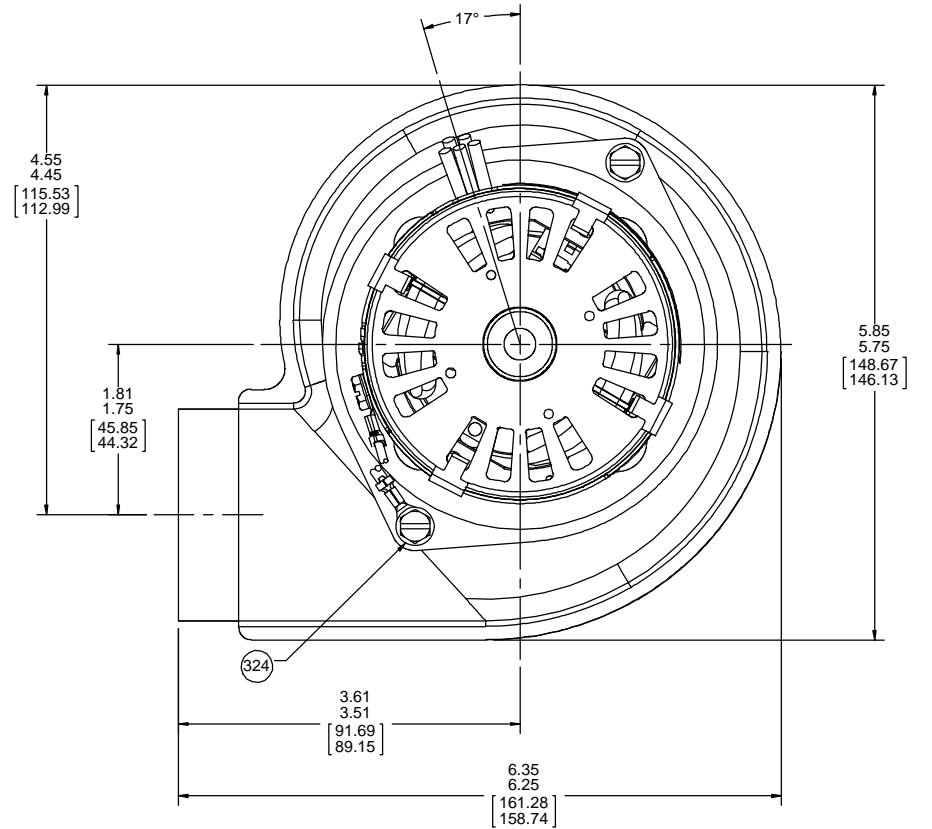
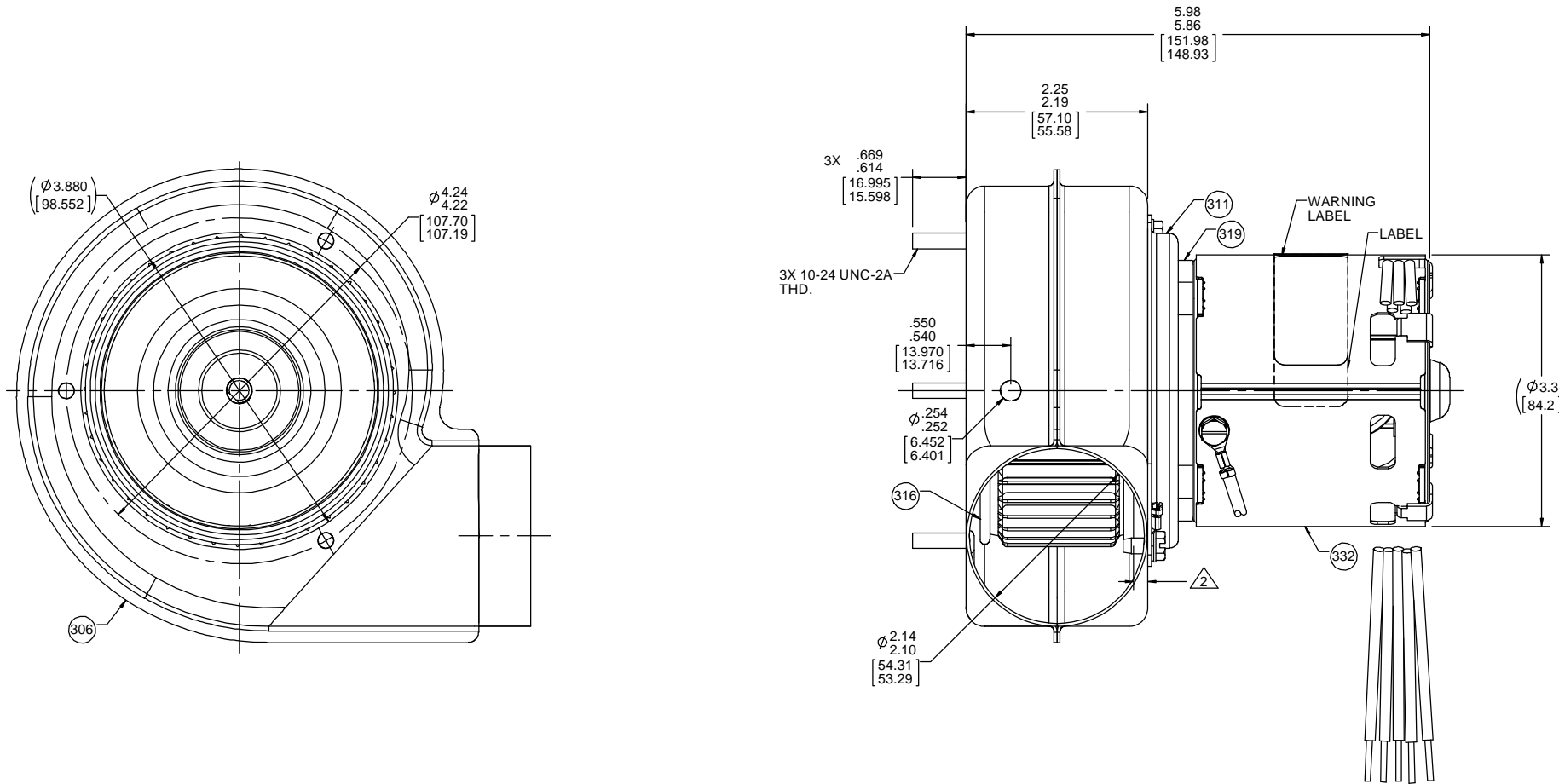
THERMALLY PROTECTED  
CLASS "B" INSULATION  
SEALED BALL BEARING  
416 SS SHAFT

APPLICATION:		B	LA	FR	A	S	C	E	B	A
CUSTOMER:	FASCO DIST.	06	21	30	V	02	JK	9	0	0
CUSTOMER PN:	A073									

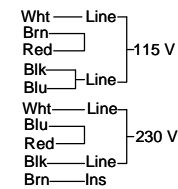
- NOTES:
- ATTACH GROUND STRAP TO HOUSING AND SECURE WITH PC 324 SCREW.
  - LOCATION OF IMPELLER TO BE .214/.134 [5.436/3.404] FROM EDGE OF MOUNTING CUP.
  - PACK 1 PER CONTAINER, 150 MAX. PER PALLET, PACKING ASSY. 87854000, 30 CONTAINERS PER LAYER, 5 LAYERS PER PALLET, PER 88834200 AND 88834408.
  - CARTON LABELS MUST ALL FACE ONE DIRECTION TOWARD THE OPEN END OF THE PALLET. SEE 88834408.
  - NO PACKAGING TAPE OVER CARTON LABEL.

LEAD MATERIAL  
18 GA. 125°C 4/64 INSUL.  
EPDM  
(1) WHITE, (1) BLUE, (1) BROWN  
(1) RED, (1) BLACK  
23.00/21.00 [584.20/533.40]  
W/56/.44 [14.22/11.18] STRIP

GROUND LEAD MATERIAL  
18 GA. 125°C 5/64 INSUL.  
X-LINKED POLY.  
GRN/YEL  
4.00/3.00 [101.60/76.20]  
W/RING TERM.  
AMP 350436-2



Connection Diagram



TYPICAL PERFORMANCE TEST DATA IN FREE AIR			
AT 115 VOLTS 60 Hz			
	RPM	WATTS	AMPS
	3075	46.3	.58
BLOWER WEIGHT 3.75 LBS.			ENDPLAY .XX/XX

DRAWING REVISION AA	REVISION BY MLS	DATE 8/6/2018	TOLERANCES UNLESS OTHERWISE SPECIFIED: DEC. INCH mm ANGLE .X ±0.1 #2.5 ±1° .XX ±0.01 #0.25 .XXX ±0.005 #0.127 XXX ±0.0005 #0.0127	DRAWN BY MLS	DATE 8/6/2018	DESCRIPTION OUTLINE BLOWER ASSY
ECO-0148615	APPROVED BY SDM	DATE 8/6/2018	REMOVE BURRS & BREAK SHARP EDGES: .003/.015 [.076/.381] X 45° CORNER FILLETS: R.02 [.51]	APPROVED BY SDM	DATE 8/6/2018	MATERIAL PROCESS/FINISH BLACK
REDRAWN TO SOLIDWORKS <small>                     PROPRIETARY AND CONFIDENTIAL INFORMATION - THIS DOCUMENT IS THE PROPERTY OF                      REGAL BELLOIT AMERICA, INC. CONSENT AND CONFIRMATION OWNERS PROPRIETARY                      INFORMATION, ANY PERSON, CORPORATION OR OTHER FIRM RECEIVING IT IS DEEMED,                      BY RECEIVING IT, TO AGREE THAT IT, AND/OR ANY PART OF IT, SHALL NOT BE DISCLOSED                      TO ANY PERSON, CORPORATION OR OTHER ENTITY, DUPLICATED, AND/OR USED, EXCEPT                      AS EXPRESSLY APPROVED IN WRITING IN ADVANCE BY OWNER. THIS DOCUMENT SHALL                      BE RETURNED TO OWNER UPON REQUEST. IT MAY BE SUBJECT TO CERTAIN                      RESTRICTIONS UNDER APPLICABLE EXPORT CONTROL LAWS AND REGULATIONS.                 </small>			THIRD ANGLE PROJECTION	SIZE DRAWING NUMBER 70216909	SHEET 1 OF 1	

REGAL™ Regal Beloit America, Inc.