

NOTES:

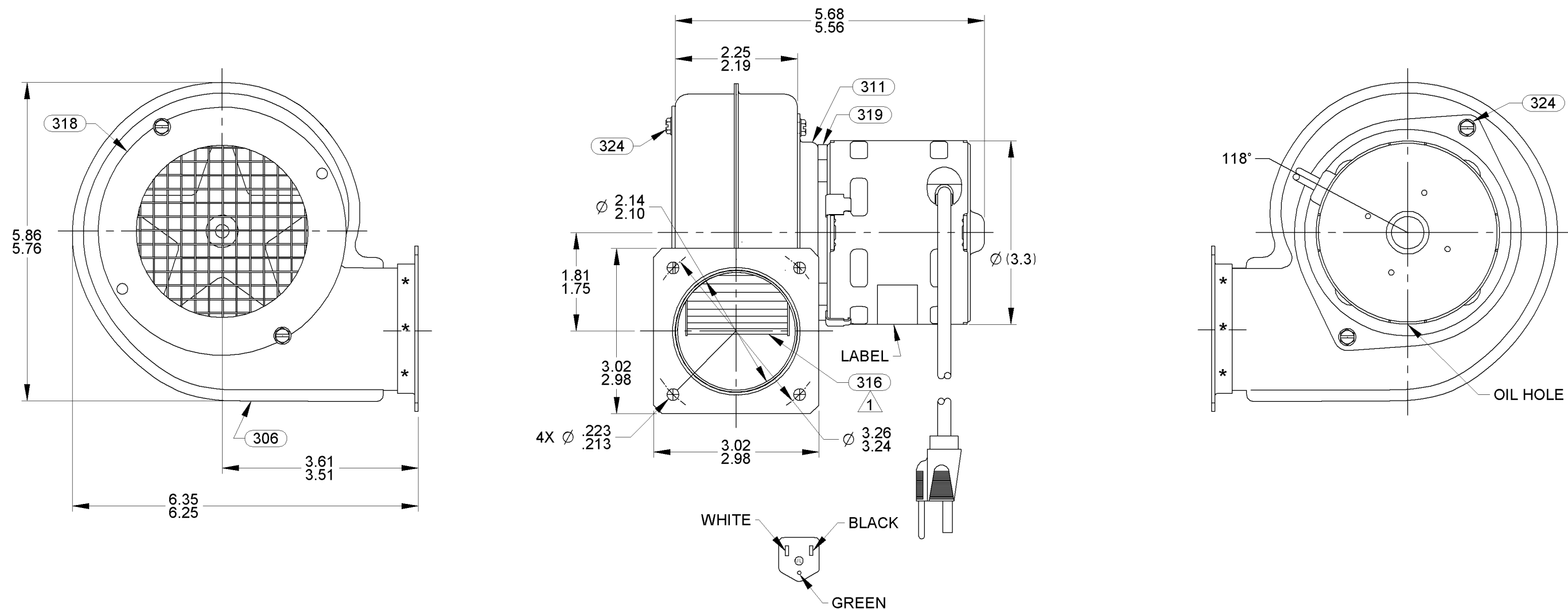
1. LOCATE EDGE IMPELLER TO BE .165/.085 FROM EDGE OF MOUNTING CUP.
2. PACK 1 PER CONTAINER, 120 MAX. PER PALLET, PACKING ASSY. 87854000, 30 CARTONS PER LAYER, 4 LAYERS PER PALLET, P.S. 88834200 AND P.S. 88834408.
3. PACK WITH MOTOR UP.
4. PLACE PC 308 FOAM PAD IN BOTTOM OF TRAY.
5. PLACE PC 348 FOAM PAD ON TOP OF UNIT.
6. CARTONS LABELS MUST ALL FACE ONE DIRECTION TOWARD THE OPEN END OF THE PALLET. SEE P.S. 88834408.
7. NO PACKAGING TAPE OVER CARTON LABEL.

APPLICATION

THERMALLY PROTECTED CLASS "B" INSULATION

B	LA	FR	A	S	C	E	B	A
06	21	30	V	01	OK	5	1	0
CUSTOMER							FASCO DIST.	
CUSTOMER PART NO.							A071	

CORDSET
 18 GA. 105°C, 3/64 INSUL.
 3 COND. (1)BLACK, (1)WHITE,
 AND (1) GREEN
 (72.00) IN. LONG



TYPICAL PERFORMANCE TEST DATA IN FREE AIR

AT	120	VOLTS	60	HZ.	
R.P.M.	2970	WATTS	59	AMPS	.71

UNLESS OTHERWISE SPECIFIED DIMENSIONS ARE IN INCHES TOLERANCES ARE:
 FRACTIONS ± 1/16
 DECIMALS XX ± .01
 ANGLES XXX ± .005

FASCO FASCO MOTORS GROUP
 AC MOTOR/BLOWER DIVISION

ECO. NO.	REV.	DATE	APPROVAL
4000416	18	12/3/10	MLM/KSA
4008050	20	3/29/2013	SDM/KSA
4009563	21	6/25/2013	PLA/NJP

APPROVALS	DATE
DRAWN BGP	07/14/2003
CHECKED SDM	07/14/2003
BLOWER WEIGHT 3.5 LBS.	END PLAY .050/.010

APPROVALS	DATE
FINISH COLOR	BLACK

CONFIDENTIAL: DO NOT DUPLICATE OR DISCLOSE TO THIRD PARTIES WITHOUT WRITTEN PERMISSION OF FASCO MOTORS GROUP, AC MOTOR/BLOWER DIVISION.

TITLE: **BLOWER ASSEMBLY**

SIZE **B** DWG. NO. 7021 7371 REV. 21

DO NOT SCALE DRAWING SHEET 1 OF 1