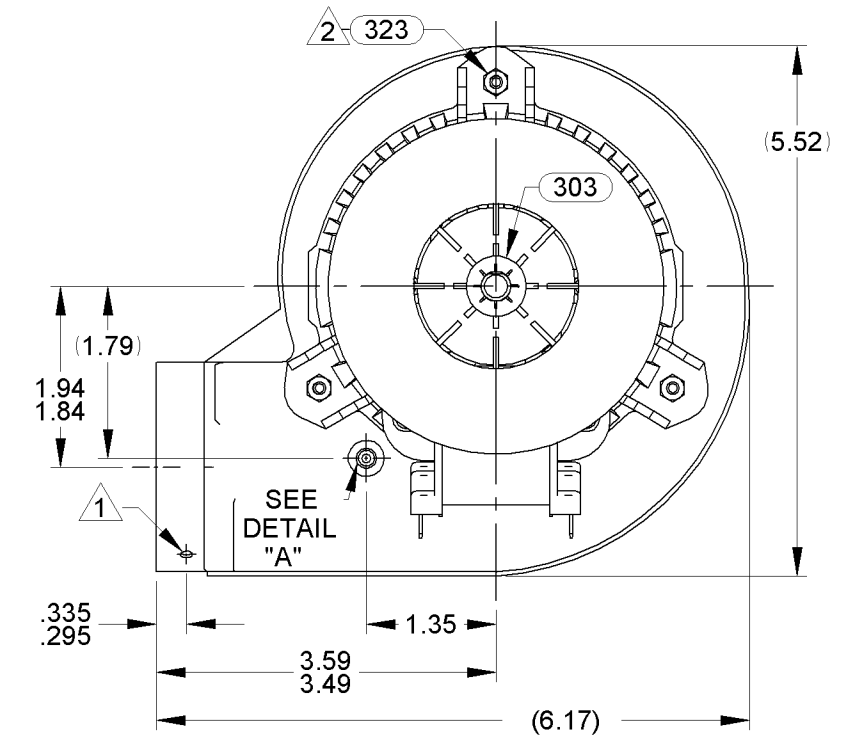
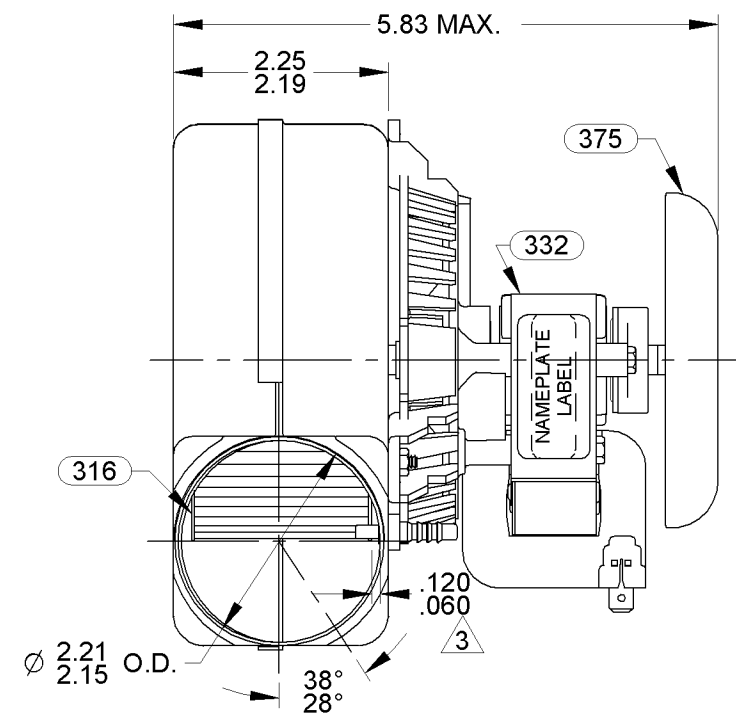
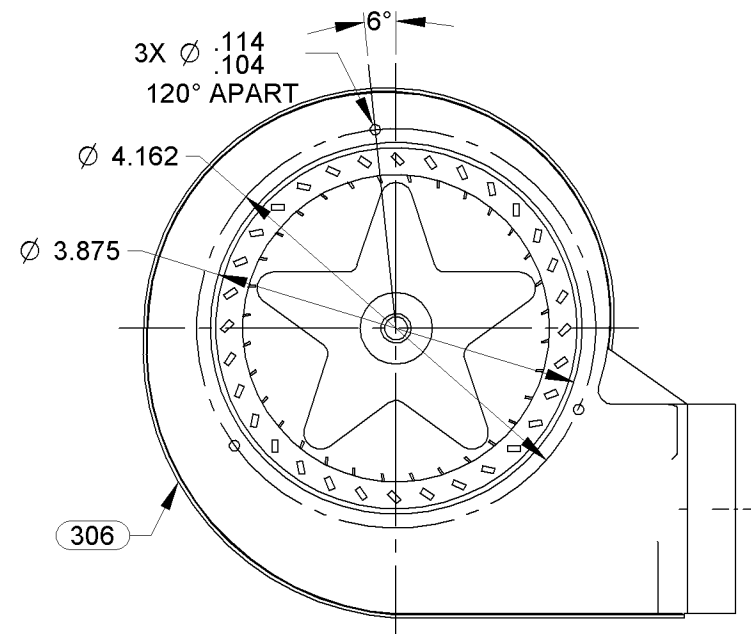
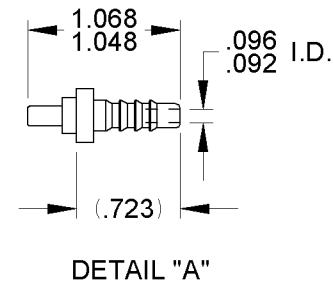


NOTES:

1. Ø.114 ±.003 PIN MUST PASS THROUGH ELLIPTICAL HOLE.
2. PC 323 NUT TO BE TORQUED TO 6 IN/LBS MINIMUM.
3. IMPELLER MEASURED FROM INSIDE HOUSING TO BACK PLATE OF IMPELLER .120/.060.
4. RUN TEST ASSEMBLY AT 98V, 60 Hz TO START WITHOUT STALLING.
5. STATIC TAP READING IS TO BE -.32 MINIMUM CORRECTED TO STANDARD AIR (0.075 LB/FT<sup>3</sup>)
6. PACK 1 PER CONTAINER, 150 MAX. PER PALLET, PACKING ASSY. 8785-5063, 30 CONTAINERS PER LAYER, 5 LAYERS PER PALLET, P.S. 8883-4200 AND P.S. 8883-4408.
7. CARTON LABELS MUST ALL FACE ONE DIRECTION TOWARD THE OPEN END OF THE PALLET. SEE P.S. 8883 4408.
8. NO PACKAGING TAPE OVER CARTON LABEL.

APPLICATION		B	LA	FR	A	S	C	E	B	A
THERMALLY PROTECTED CLASS "B" INSULATION SEALED BALL BEARING		HB	58	01	X	19	OA	5	0	0
		CUSTOMER FASCO DIST								
		CUSTOMER PART NO. A068								



ALL MATERIAL FURNISHED TO THIS DRAWING AND/OR APPLICABLE PURCHASE ORDER FOR THIS PART MUST COMPLY WITH THE LATEST REVISION OF THE EUROPEAN DIRECTIVES RoHS AND REACH.				TYPICAL PERFORMANCE TEST DATA IN FREE AIR				UNLESS OTHERWISE SPECIFIED DIMENSIONS ARE IN INCHES TOLERANCES ARE:			<b>FASCO</b> FASCO MOTORS GROUP AC MOTOR/BLOWER DIVISION	
								AT 120 VOLTS 60 HZ.				
ECO. NO.	REV.	DATE	APPROVAL	R.P.M.	WATTS	AMPS	APPROVALS	DATE	CONFIDENTIAL: DO NOT DUPLICATE OR DISCLOSE TO THIRD PARTIES WITHOUT WRITTEN PERMISSION OF FASCO MOTORS GROUP, AC MOTOR/BLOWER DIVISION.			
4001297	03	3/2/11	MLM/KSA	2950	61	1.2	DRAWN SDM	01/30/2009				TITLE <b>BLOWER ASSEMBLY</b>
							CHECKED BGP 01/30/2009			SIZE <b>B</b> DWG. NO. 7058 1405    REV. 03		
				BLOWER WEIGHT 3 1/4 LBS.			END PLAY .XX/XX			DO NOT SCALE DRAWING    SHEET 1 OF 2		
							FINISH COLOR NATURAL					