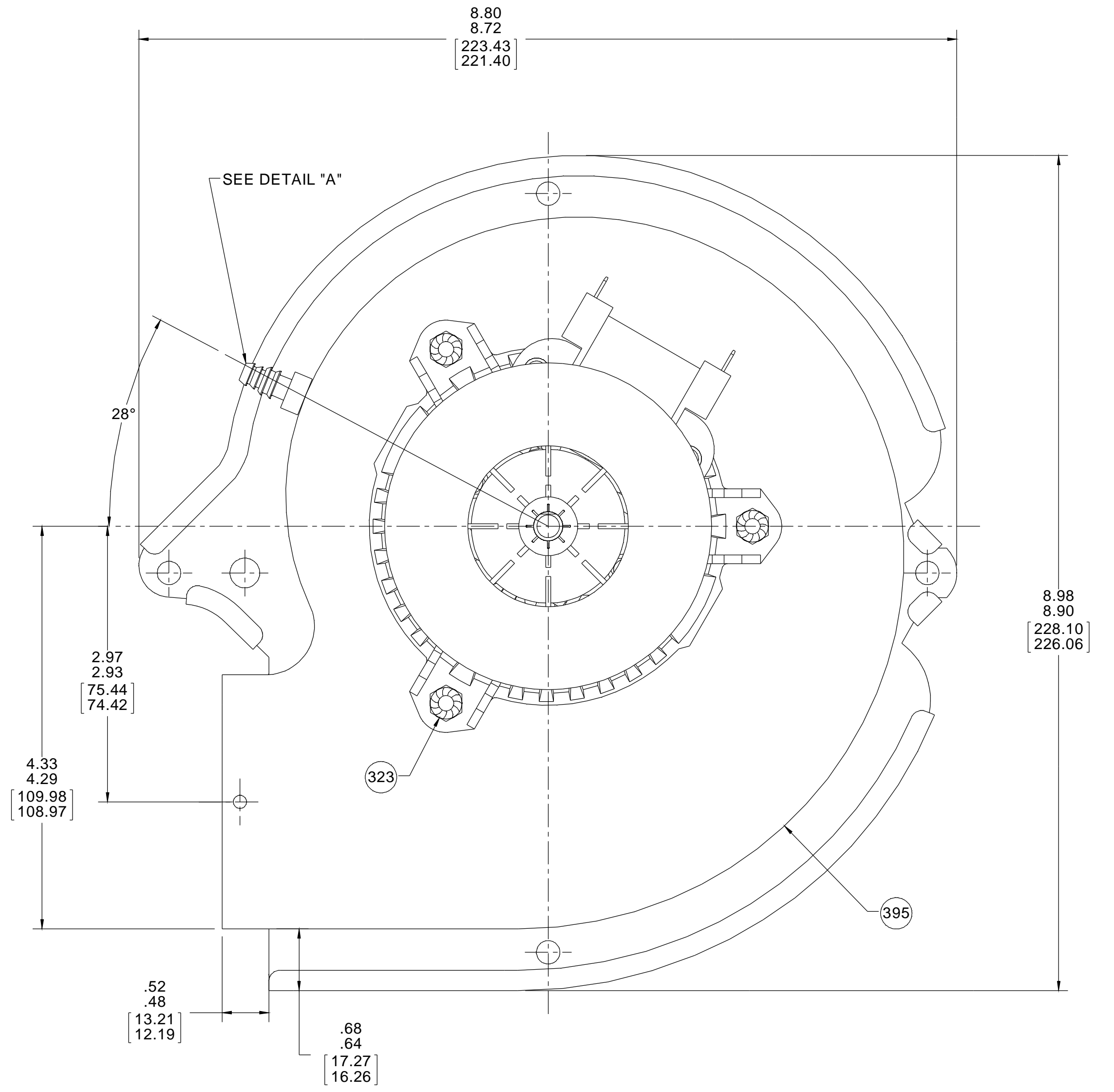
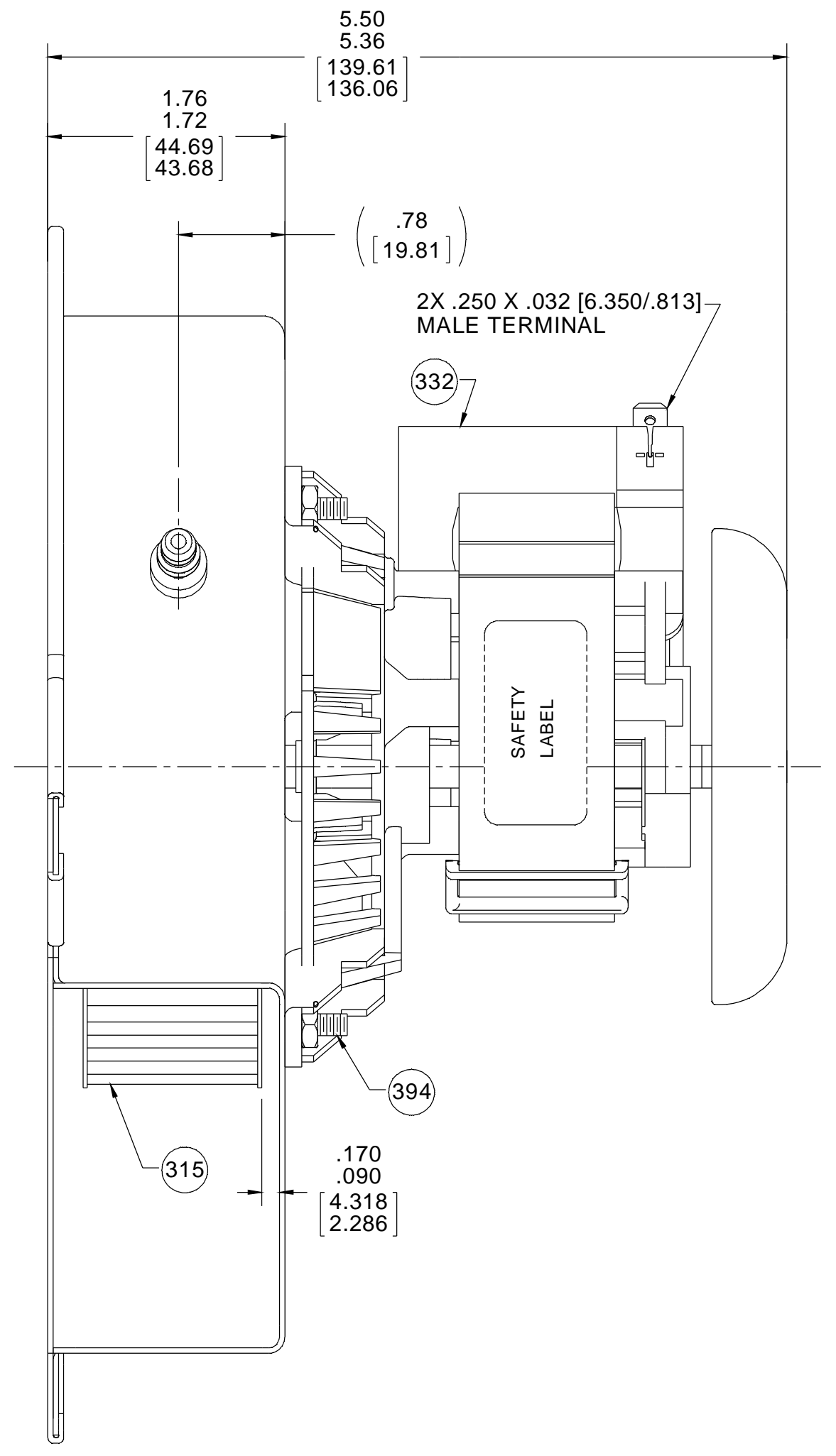
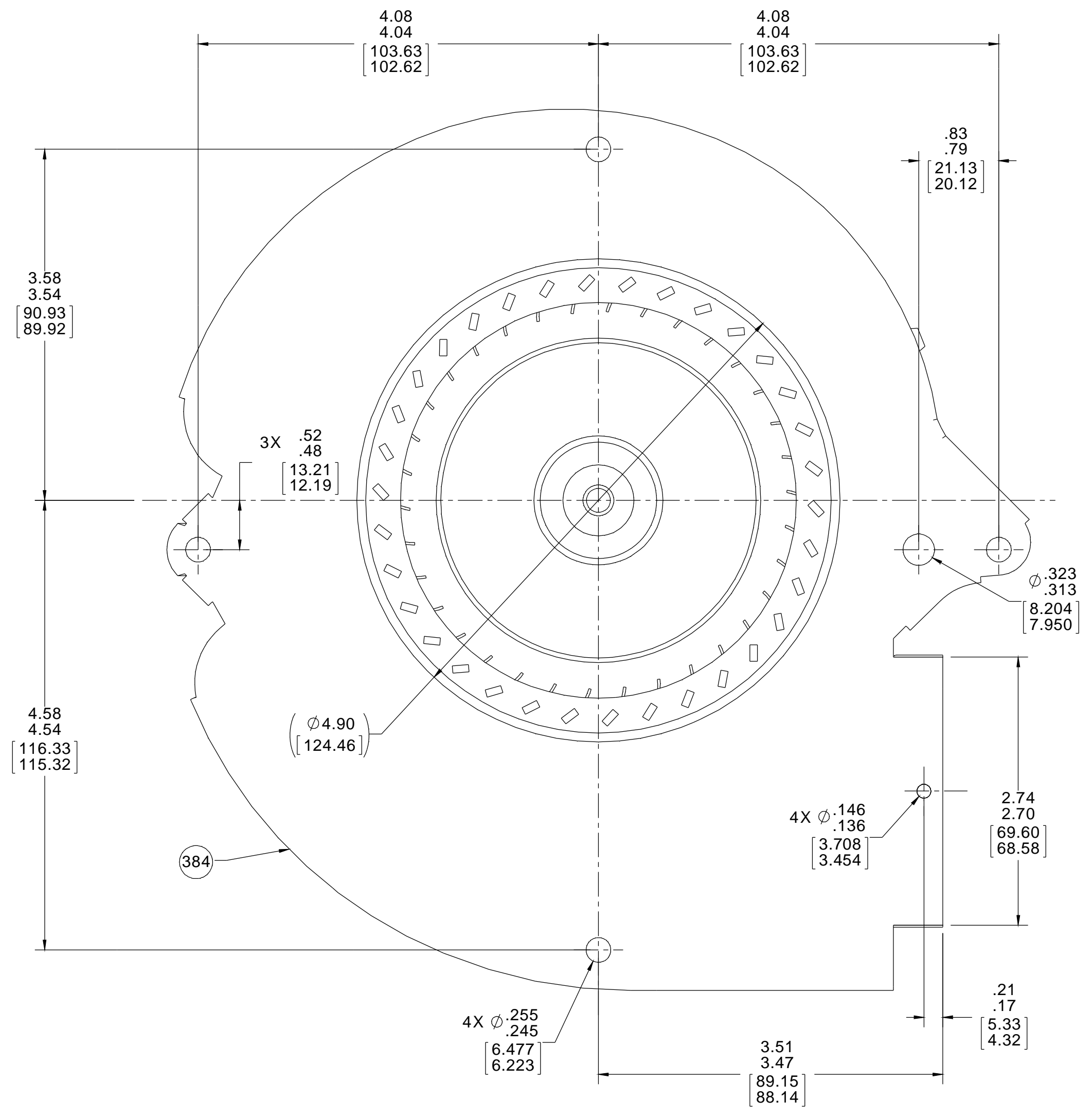
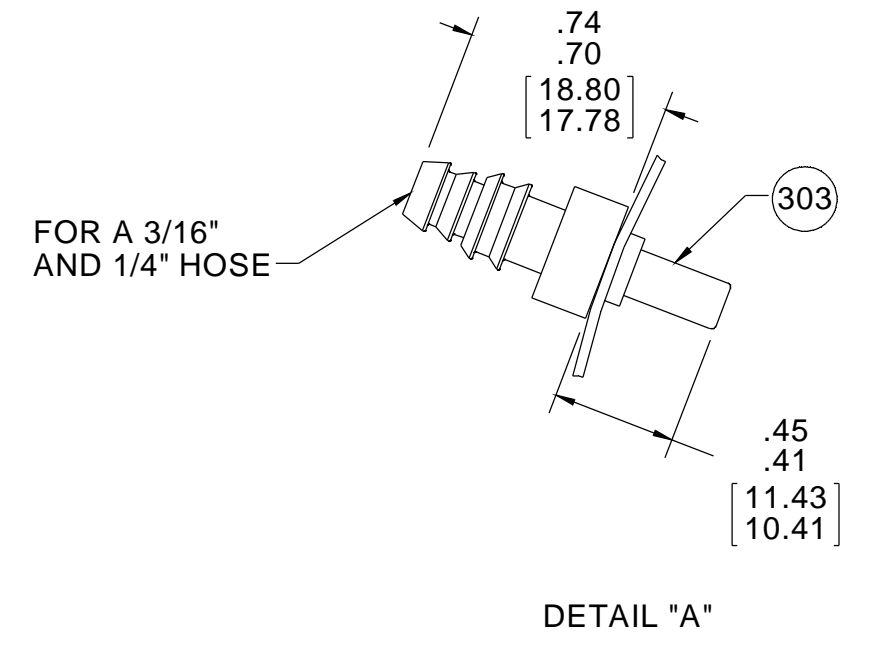


THERMALLY PROTECTED
CLASS "B" INSULATION
SEALED BALL BEARING

APPLICATION:	DISTRIBUTION	B	LA	FR	A	S	C	E	B	A
CUSTOMER:	FASCO DIST	GS	58	48	X	17	XX	5	0	0
CUSTOMER PN:	A065									

- TEST FIXTURE IS REQUIRED.
- STATIC TAP READING IS TO BE -1.2 CORRECTED TO STANDARD AIR (0.075 LB/FT³) WITH A 1 5/16" INLET RESTRICTOR.
- PACK 1 PER CONTAINER , 12 CONTAINERS PER LAYER, 4 LAYERS PER PALLET, 48 MAX. PER PALLET, PACKING ASSY. 87854752, P.S. 88834200.
- PACK (1) PC 319 GASKET WITH BLOWER IN EACH CONTAINER.
- CARTON LABELS MUST ALL FACE ONE DIRECTION TOWARD THE OPEN END OF THE PALLET. SEE 88834408.
- NO PACKAGING TAPE OVER CARTON LABEL.



TYPICAL PERFORMANCE TEST DATA WITH A 1 5/16" INLET RESTRICTOR			
AT 115 VOLTS 60 Hz			
	RPM	WATTS	AMPS
	3190	81	1.5
BLOWER WEIGHT	4 LBS.		ENDPLAY .XX/.XX

DRAWING REVISION	REVISION BY	DATE	TOLERANCES UNLESS OTHERWISE SPECIFIED:	DRAWN BY	RPT	REGAL™ Regal Beloit America, Inc.
F	RPT	06/03/2015	DEC. INCH mm ANGLE	RPT		
ECO-0074899	APPROVED BY	DATE	.XX ±0.1 [-0.25]	DATE	06/03/2015	
	SDM	06/03/2015	.XX ±0.01 [-0.25]	APPROVED BY	SDM	
ECO DESCRIPTION			XXX ±0.005 [-0.127]	DATE	06/03/2015	DESCRIPTION
ADDED PERFORMANCE DATA AND REDRAW TO SW			XXXX ±0.0005 [-0.0127]			BLOWER ASSY
COPYRIGHT REGAL BELOIT AMERICA, INC. ALL RIGHTS RESERVED.			REMOVE BURRS & BREAK SHARP EDGES: .003/.015 [0.076/.381] X 45°	REFERENCE		MATERIAL
PROPRIETARY AND CONFIDENTIAL INFORMATION - THIS DOCUMENT IS THE PROPERTY OF REGAL BELOIT AMERICA, INC. (OWNER'S) AND CONTAINS OWNER'S PROPRIETARY INFORMATION. ANY PERSON, CORPORATION OR OTHER FIRM RECEIVING IT IS DEEMED TO ACCEPT IT TO ASSURE THAT IT AND/OR ANY PART OF IT SHALL NOT BE DISCLOSED TO ANY PERSON, CORPORATION OR OTHER ENTITY, DUPLICATED, AND/OR REPRODUCED, EXCEPT AS EXPRESSLY APPROVED IN WRITING IN ADVANCE BY OWNER. THIS DOCUMENT SHALL BE RETURNED TO OWNER UPON REQUEST. IT MAY BE SUBJECT TO CERTAIN RESTRICTIONS UNDER APPLICABLE EXPORT CONTROL LAWS AND REGULATIONS.			CORNER FILLETS: R.02 [5.1]	THIRD ANGLE PROJECTION		PROCESS/FINISH
			MACHINED SURFACES: 125/ mm	SIZE	D	NATURAL
			mm SHOWN IN [BRACKETS]	DRAWING NUMBER	70581392	SHEET
						1 OF 1