

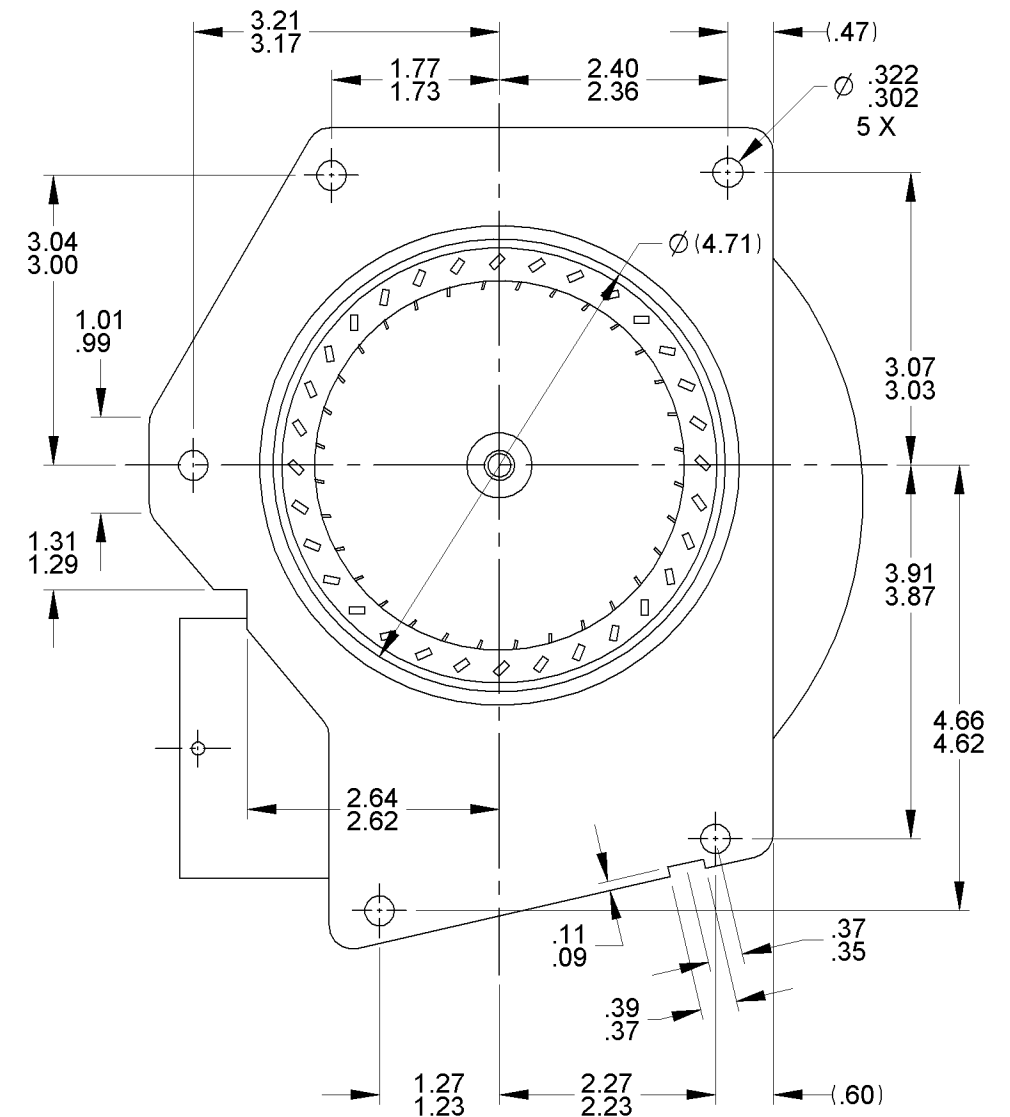
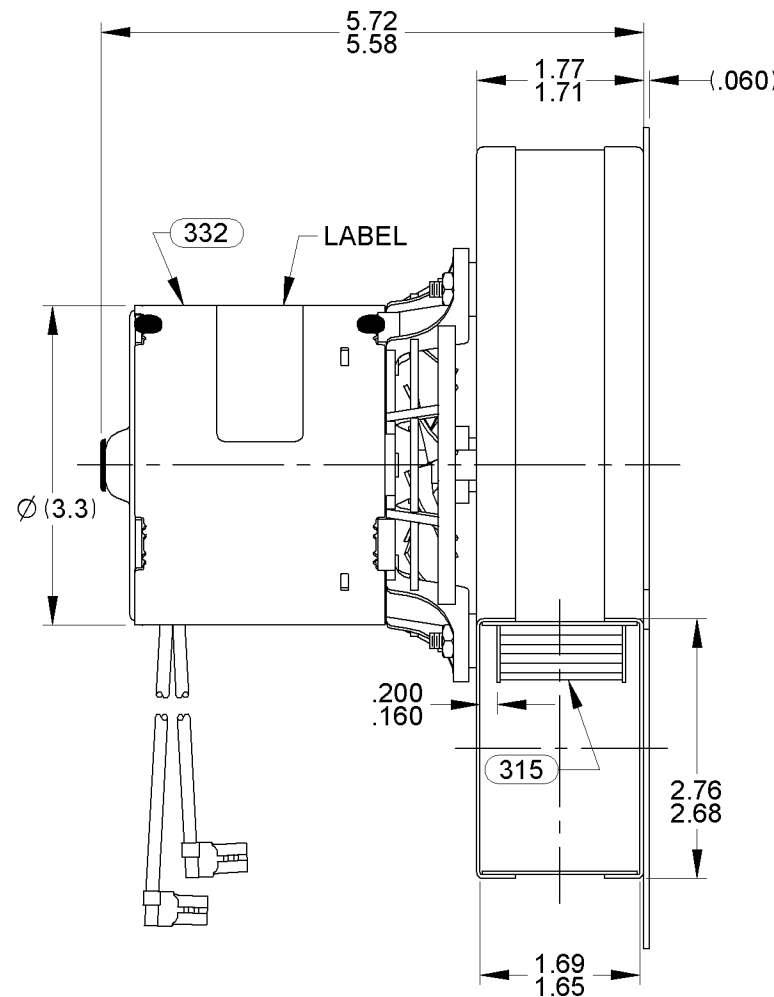
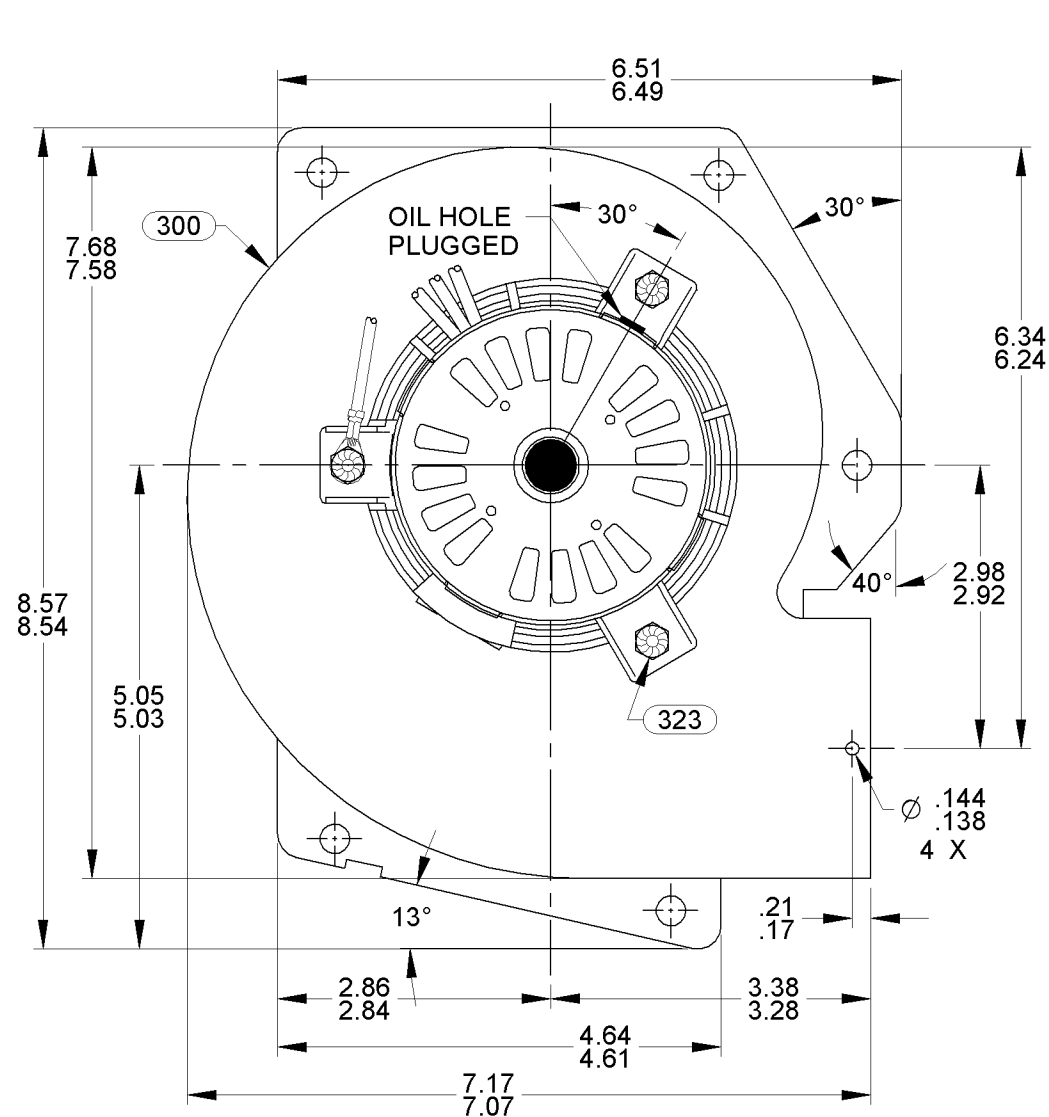
NOTES:

1. NO STA-LOC REQUIRED ON IMPELLER.
2. INSPECTION TEST FIXTURE IS REQUIRED.
3. PACK 1 PER CONTAINER, 80 MAX. PER PALLET, PACKING ASSY. 87854335, 16 CONTAINERS PER LAYER, 5 LAYERS PER PALLET, P.S. 88834200, P.S. 88834408.
4. CARTON LABELS MUST ALL FACE ONE DIRECTION TOWARD THE OPEN END OF THE PALLET. SEE P.S. 88834408.
5. NO PACKAGING TAPE OVER CARTON LABEL.

APPLICATION	COUNTER SALES	B	LA	FR	A	S	C	E	B	A
THERMALLY PROTECTED CLASS "B" INSULATION 416 S.S. SHAFT		12	21	47	V	02	AC	5	3	0
CUSTOMER		FASCO DIST								
CUSTOMER PART NO.		A064								

GROUND LEAD MATERIAL
18 GA. 125°C 2/64 INSUL.
X-LINKED POLY. GRN/YEL
6.50/4.50 IN. LONG
W/ RING TERM. 89020156
AMP 61794-1

LEAD MATERIAL
18 GA. 125°C 4/64 INSUL.
EPDM, (1) BLK
20.00/18.00 IN. LONG
(1) WHT
28.50/26.50 IN. LONG
W/ FFLAG TERMS. 00612598
AMP 41532



TYPICAL PERFORMANCE TEST DATA
W/1 5/16 INLET RESTRICTOR

AT 115 VOLTS 60 HZ.

ECO. NO.	REV.	DATE	APPROVAL	R.P.M.	WATTS	AMPS
4001924	25	05/05/11	MLM/PLA	3105	56	.71
4008739	26	3/28/2013	SDM/KSA			
4010438	27	9/30/2013	MLS/BGP			

BLOWER WEIGHT
4 1/4 LBS.

END PLAY
.030/.010

UNLESS OTHERWISE SPECIFIED DIMENSIONS ARE IN INCHES TOLERANCES ARE:
FRACTIONS ± 1/16 DECIMALS XX ± .01 ANGLES ± 1°
XXX ± .005

APPROVALS	DATE
DRAWN JMH	09/08/2005
CHECKED VLL	09/08/2005
FINISH COLOR	FLAT BLACK

FASCO FASCO MOTORS GROUP
AC MOTOR/BLOWER DIVISION

CONFIDENTIAL: DO NOT DUPLICATE OR DISCLOSE TO THIRD PARTIES WITHOUT WRITTEN PERMISSION OF FASCO MOTORS GROUP, AC MOTOR/BLOWER DIVISION.

TITLE BLOWER ASSEMBLY		
SIZE B	DWG. NO. 7021 6806	REV. 27
DO NOT SCALE DRAWING		SHEET 1 OF 1