

NOTES:

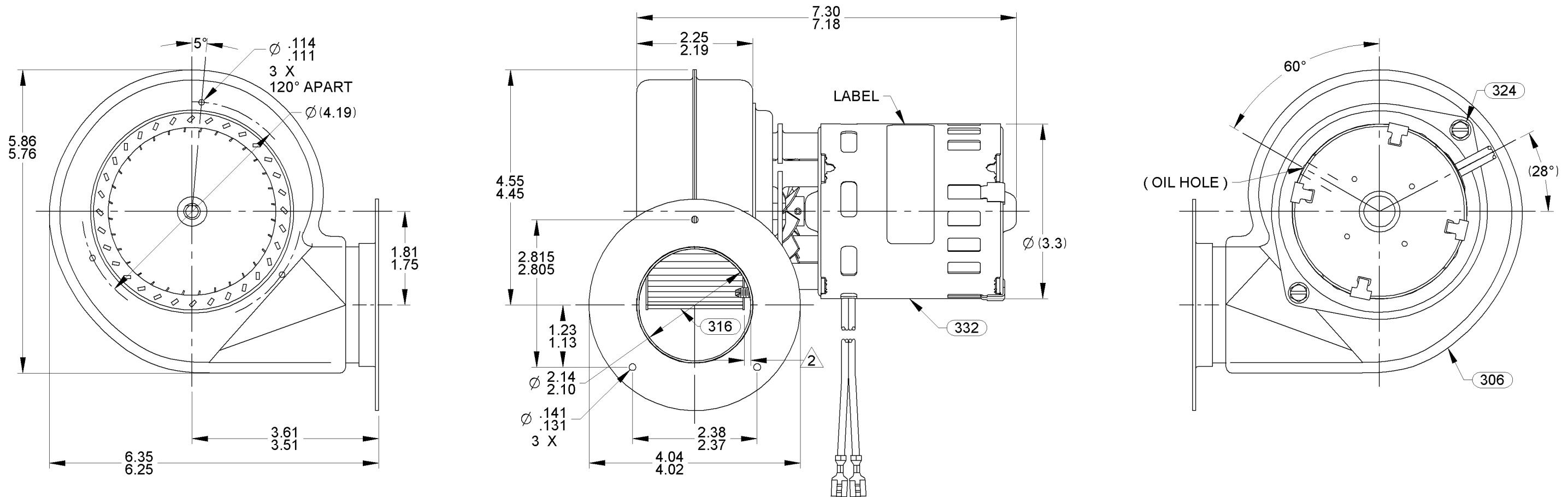
1. MOTOR SIDE OF BLOWER HOUSING TO BE CLOSED EXCEPT FOR SHAFT HOLE.
2. LOCATE IMPELLER .160/.080 FROM INSIDE MOTOR SIDE OF HOUSING.
3. PACK 1 PER CONTAINER, 120 MAX. PER PALLET, PACKING ASSY. 87854175, 20 CONTAINERS PER LAYER, 6 LAYERS PER PALLET, P.S. 88834200 AND P.S. 88834408.
4. CARTON LABELS MUST ALL FACE ONE DIRECTION TOWARD THE OPEN END OF THE PALLET. SEE P.S. 88834408.
5. NO PACKAGING TAPE OVER CARTON LABEL.

APPLICATION

THERMALLY PROTECTED
416 S.S. SHAFT
SEALED BALL BEARING

B	LA	FR	A	S	C	E	B	A
06	21	30	F	02	EB	5	0	0
CUSTOMER						FASCO DIST.		
CUSTOMER PART NO.						A063		

LEAD MATERIAL
18 GA. 105°C 4/64 INSUL.
THERMO. BLACK
2 COND. PARALLEL
32.00/30.00 INS. LONG
6.25/5.75 IN. RIP
W/FSPADE TERMS. 89039169
AMP 42692-2



TYPICAL PERFORMANCE TEST DATA
IN FREE AIR

ECO. NO.	REV.	DATE	APPROVAL	AT 230 VOLTS 60 HZ.			APPROVALS		DATE
				R.P.M.	WATTS	AMPS	DRAWN	CHECKED	
4001344	29	03/07/11	MLM/PLA	3170	80	.56	MLM	JMH	5/30/07
4008699	30	3/25/2013	SDM/BGP						5/30/07
BLOWER WEIGHT LBS.				END PLAY .XX/XX		FINISH COLOR FLAT BLACK			

UNLESS OTHERWISE SPECIFIED DIMENSIONS ARE
IN INCHES TOLERANCES ARE:
FRACTIONS ± 1/16 DECIMALS XX ± .01 ANGLES ± 1°
XXX ± .005

FASCO FASCO MOTORS GROUP
AC MOTOR/BLOWER DIVISION

CONFIDENTIAL: DO NOT DUPLICATE OR DISCLOSE TO THIRD PARTIES WITHOUT WRITTEN PERMISSION OF FASCO MOTORS GROUP, AC MOTOR/BLOWER DIVISION.

TITLE BLOWER ASSEMBLY		
SIZE B	DWG. NO. 7021 6356	REV. 30
DO NOT SCALE DRAWING		SHEET 1 OF 1