

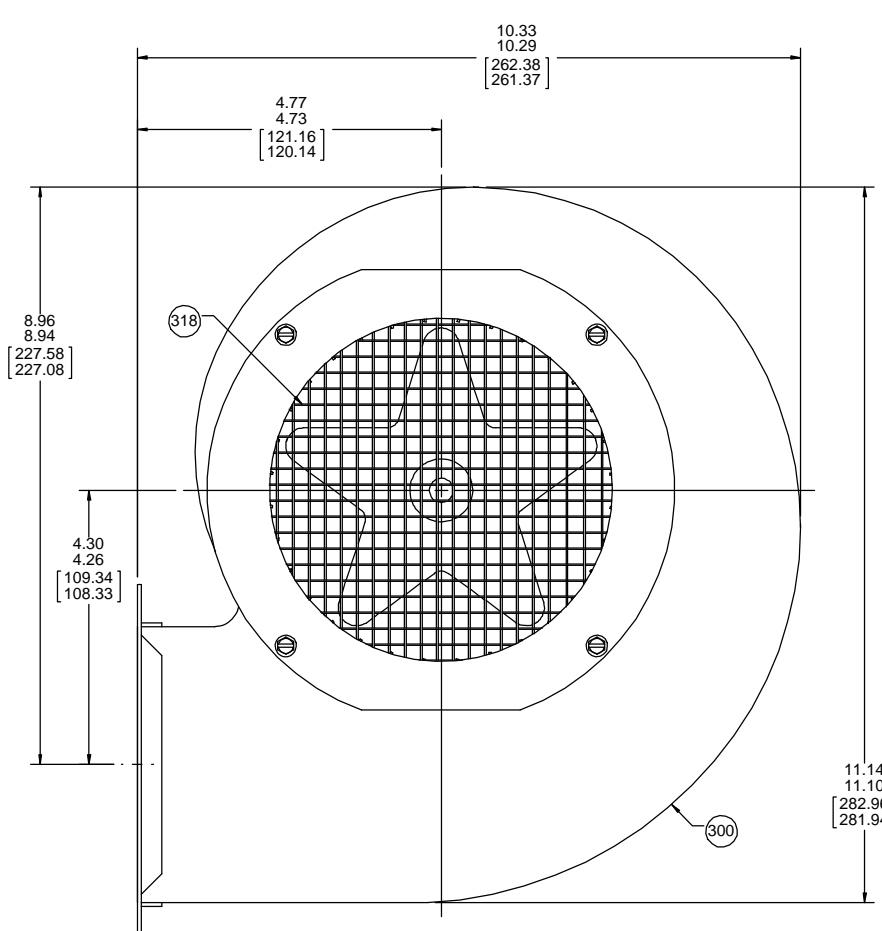
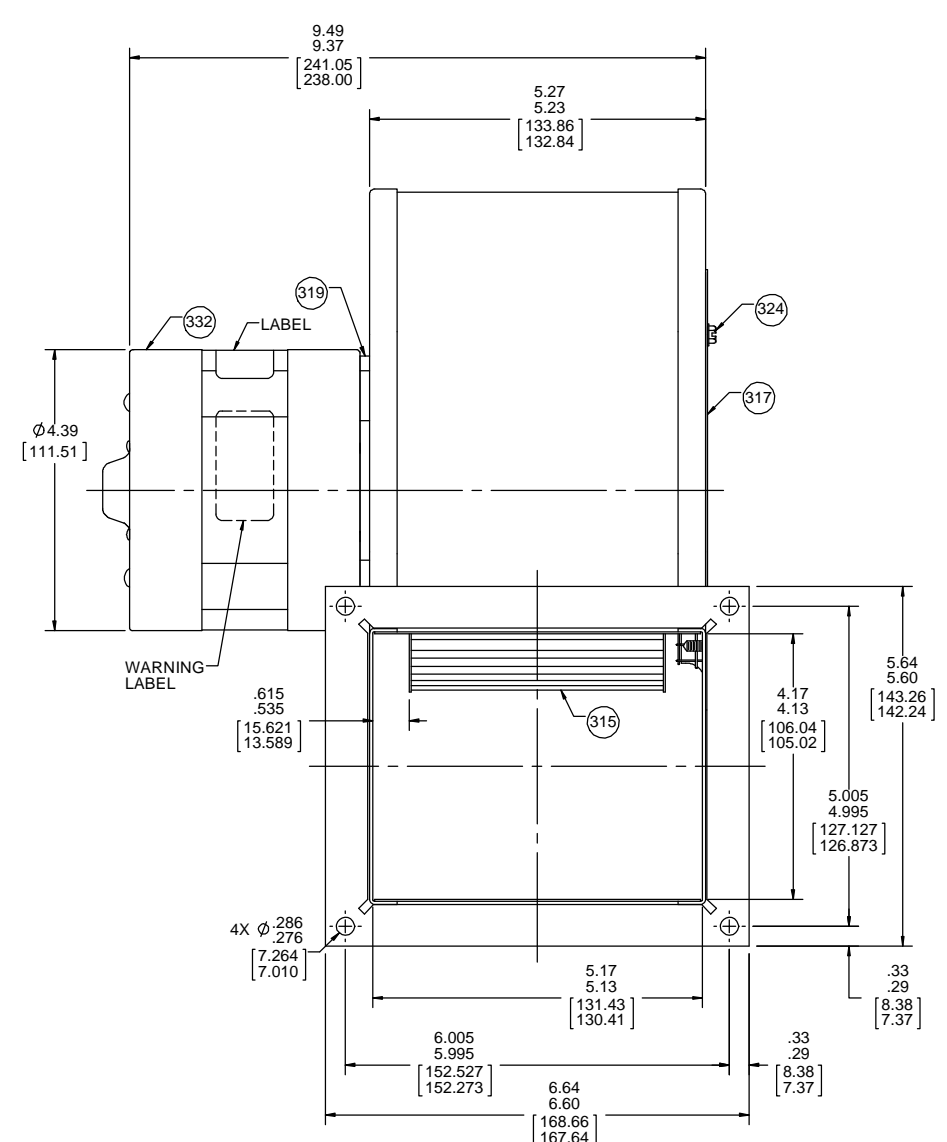
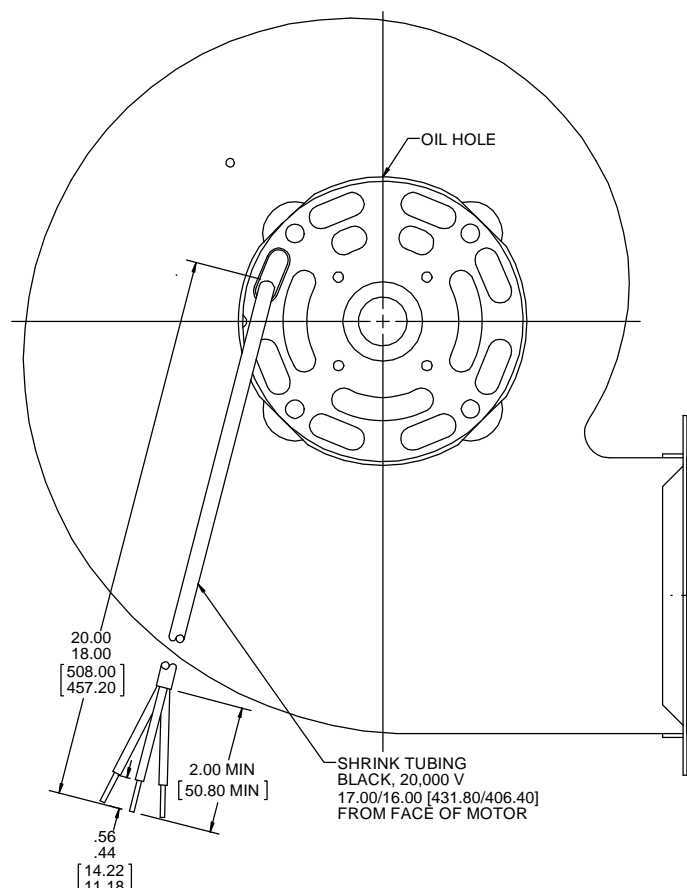
THERMALLY PROTECTED
CLASS "B1" INSULATION

APPLICATION:		B	LA	FR	A	S	C	E	B	A
CUSTOMER:	FASCO DIST.	19	08	10	V	06	FN	6	5	0
CUSTOMER PN:	50769-D230									

- NOTES:
- ASSEMBLE PC 318 SCREEN GUARD BETWEEN INLET RING AND HOUSING.
 - DESIGNED FOR 50/60 Hz OPERATION.
 - PACK 1 PER CONTAINER, 9 CONTAINERS PER LAYER, 3 LAYERS PER PALLET, 27 MAX. PER PALLET, PACKING ASSY. 87859284, PER 88834200 AND 88834408.
 - CARTON LABELS MUST ALL FACE ONE DIRECTION TOWARD THE OPEN END OF THE PALLET. SEE 88834408.
 - NO PACKING TAPE OVER CARTON LABELS.

Connection Diagram
 Wht — Common
 Blk — High
 Red — Low

LEAD MATERIAL
 18 GA. 125°C 2/64 INSUL.
 X-LINKED POLY. BLACK
 WHITE AND RED



TYPICAL PERFORMANCE TEST DATA IN FREE AIR AT 220 VOLTS 50 Hz			
	RPM	WATTS	AMPS
HIGH	1350	195	1.57
LOW	1240	122	.91
BLOWER WEIGHT LBS.		ENDPLAY .040/.010 [1.016/0.254]	

DRAWING REVISION AA	REVISION BY SDM	DATE 8/24/2017	TOLERANCES UNLESS OTHERWISE SPECIFIED: DEC. INCH mm ANGLE .X \pm 0.1 [2.5] \pm 1° .XX \pm 0.01 [0.25] .XXX \pm 0.005 [0.127] XXXX \pm 0.0005 [0.0127]	DRAWN BY SDM	DATE 8/24/2017	REGAL TM Regal Beloit America, Inc.
ECO-0129728	APPROVED BY SED	DATE 8/24/2017	REMOVE BURRS & BREAK SHARP EDGES: .003/.015 [0.076/.381] X 45° CORNER FILLETS: R.02 [.51] MACHINED SURFACES: 125/ mm SHOWN IN [BRACKETS]	APPROVED BY SED	DATE 8/24/2017	DESCRIPTION OUTLINE BLOWER ASSY
CONVERT TO SOLID WORKS			REFERENCE	MATERIAL	PROCESS/FINISH BLACK	
<small> PROPRIETARY AND CONFIDENTIAL INFORMATION - THIS DOCUMENT IS THE PROPERTY OF REGAL BELOIT AMERICA, INC. RECEIVING IT OR DISSEMINATING IT WITHOUT THE WRITTEN PERMISSION OF REGAL BELOIT AMERICA, INC. IS PROHIBITED. THIS DOCUMENT SHALL BE RETURNED TO OWNER UPON REQUEST. IT MAY BE SUBJECT TO CERTAIN RESTRICTIONS UNDER APPLICABLE EXPORT CONTROL LAWS AND REGULATIONS. </small>			THIRD ANGLE PROJECTION	SIZE D	DRAWING NUMBER 70085054	SHEET 1 OF 1