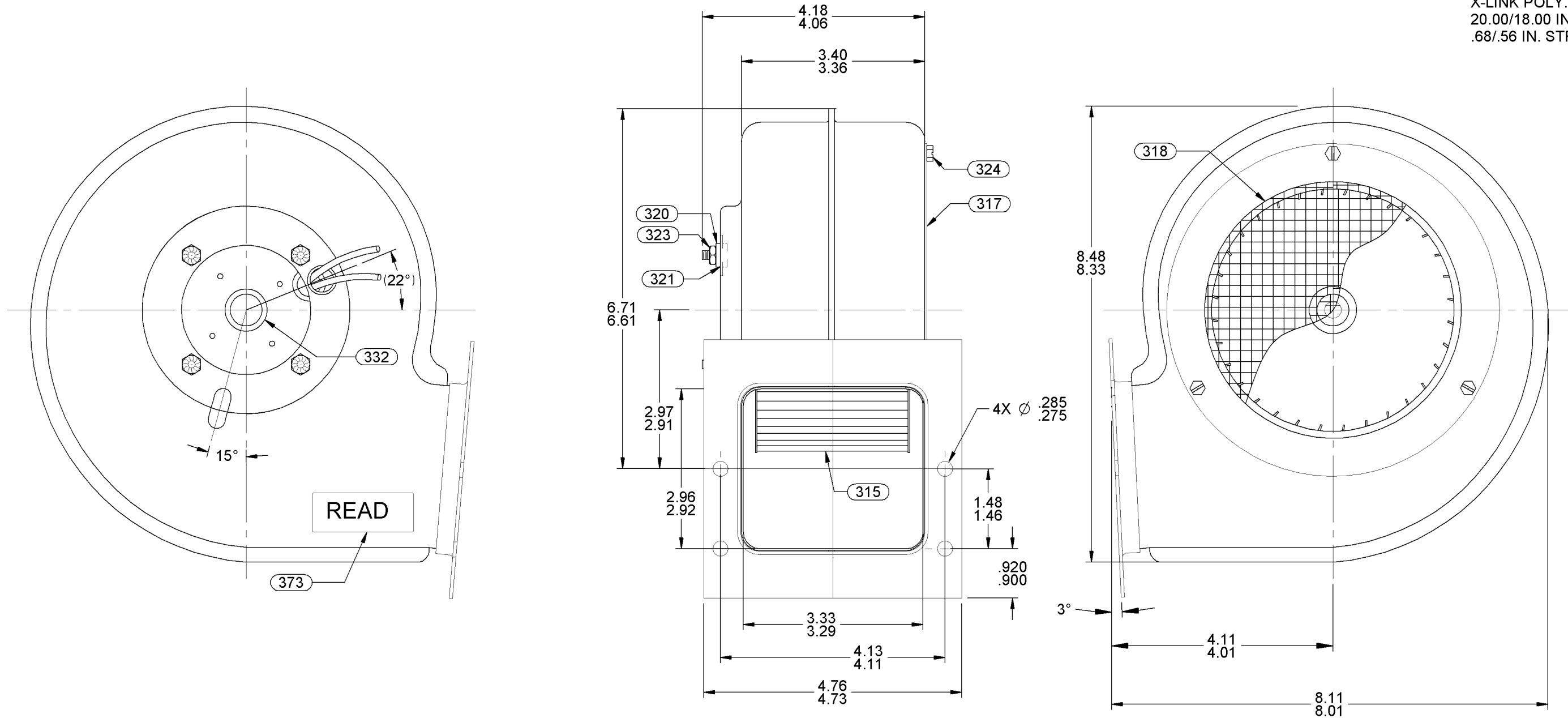


NOTES:

1. LOCATION OF IMPELLER TO BE FLUSH WITH END OF MOTOR SHAFT.
2. SECURE PC 318 INLET SCREEN UNDER PC 317 INLET RING & SECURE WITH PC 324 SCREWS.
3. PACK 1 PER CONTAINER, 120 MAX. PER PALLET, 30 CONTAINERS PER LAYER, 4 LAYERS PER PALLET, P.S. 8883-4200 & P.S. 8883-4408.
4. CARTON LABELS MUST ALL FACE ONE DIRECTION TOWARD THE OPEN END OF THE PALLET. SEE P.S. 8883 4408.
5. NO PACKAGING TAPE OVER CARTON LABEL.

APPLICATION	B	LA	FR	A	S	C	E	B	A
THERMALLY PROTECTED	07	63	30	T	01	OY	5	3	0
CUSTOMER	FASCO DIST.								
CUSTOMER PART NO.	50757-D500								

LEAD MATERIAL
 18 GA. 125°C 2/64 INS.
 X-LINK POLY. BLACK
 20.00/18.00 IN. LONG
 .68/.56 IN. STRIP



6129-4832
SAFETY WARNING
 This Motor Must Be Grounded
 In Accordance With Local Or
 National Electrical Codes
 To Prevent Possible Injury
 Due To Electrical Shock

TYPICAL PERFORMANCE TEST DATA IN FREE AIR				UNLESS OTHERWISE SPECIFIED DIMENSIONS ARE IN INCHES TOLERANCES ARE:			FASCO MOTOR GROUP AC MOTOR/BLOWER DIVISION		
ECO. NO.	REV.	DATE	APPROVAL	AT	115 VOLTS	60 HZ.	FRACTIONS ± 1/16	DECIMALS XX ± .01 XXX ± .005	ANGLES ± 1°
4000752	36	1/12/11	MLM/KSA	R.P.M.	1520	WATTS	AMPS	APPROVALS	DATE
4011949	37	3/17/2014	BGP/SDM			50	.62	DRAWN VLL	11-03-2003
								CHECKED SRM	11-03-2003
				BLOWER WEIGHT LBS.			END PLAY .050/.010	FINISH COLOR BLACK	

FASCO FASCO MOTOR GROUP
AC MOTOR/BLOWER DIVISION

CONFIDENTIAL: DO NOT DUPLICATE OR DISCLOSE TO THIRD PARTIES WITHOUT WRITTEN PERMISSION OF FASCO MOTOR GROUP, AC MOTOR/BLOWER DIVISION.

TITLE: **BLOWER ASSEMBLY**

SIZE **B** DWG. NO. 7063 1993 REV. 37

DO NOT SCALE DRAWING SHEET 1 OF 1

If Printed, this is an Uncontrolled Document.