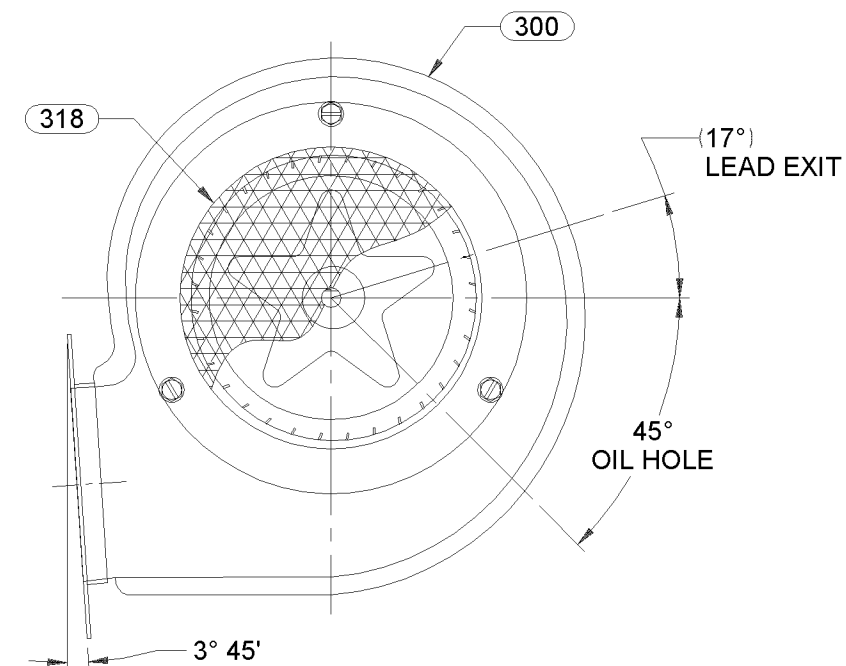
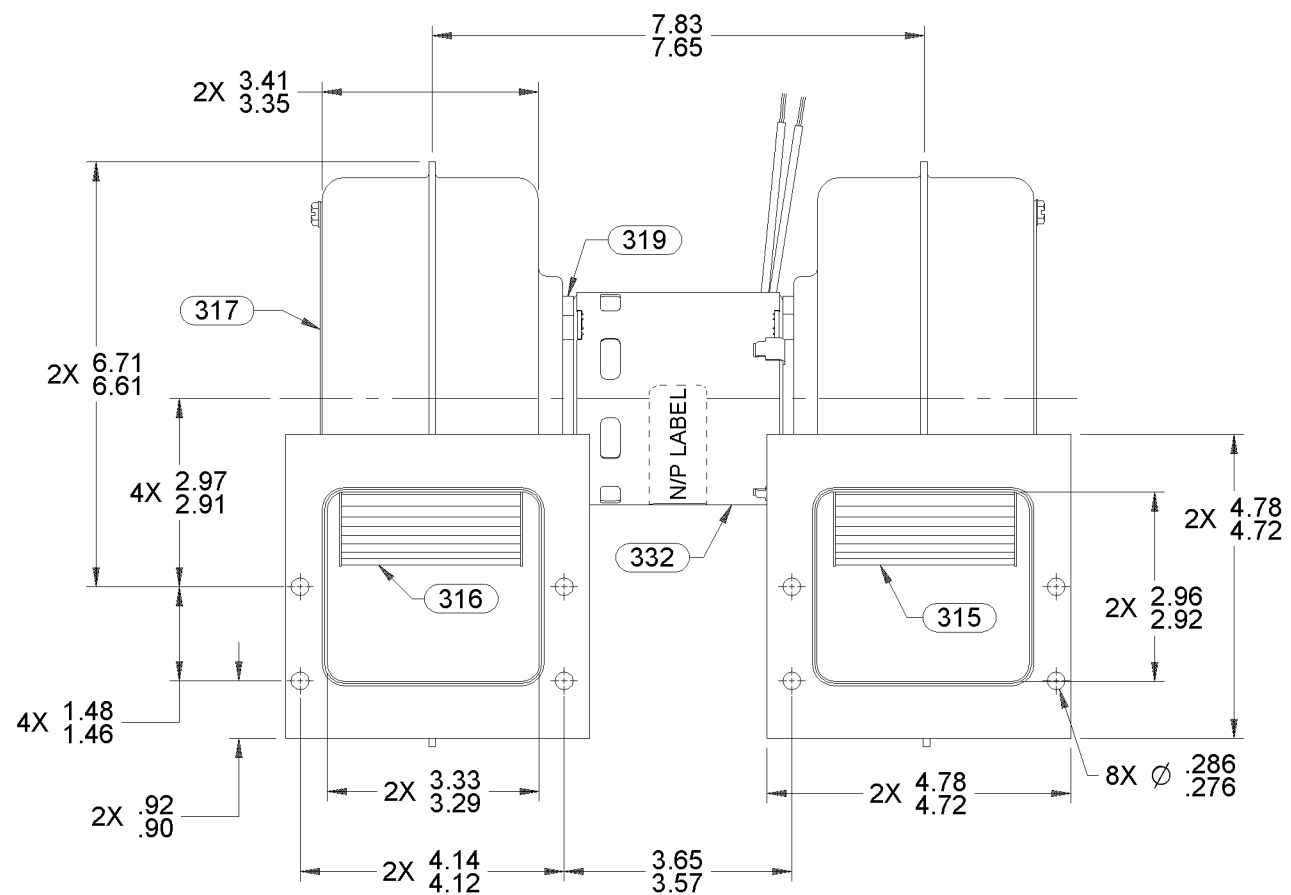
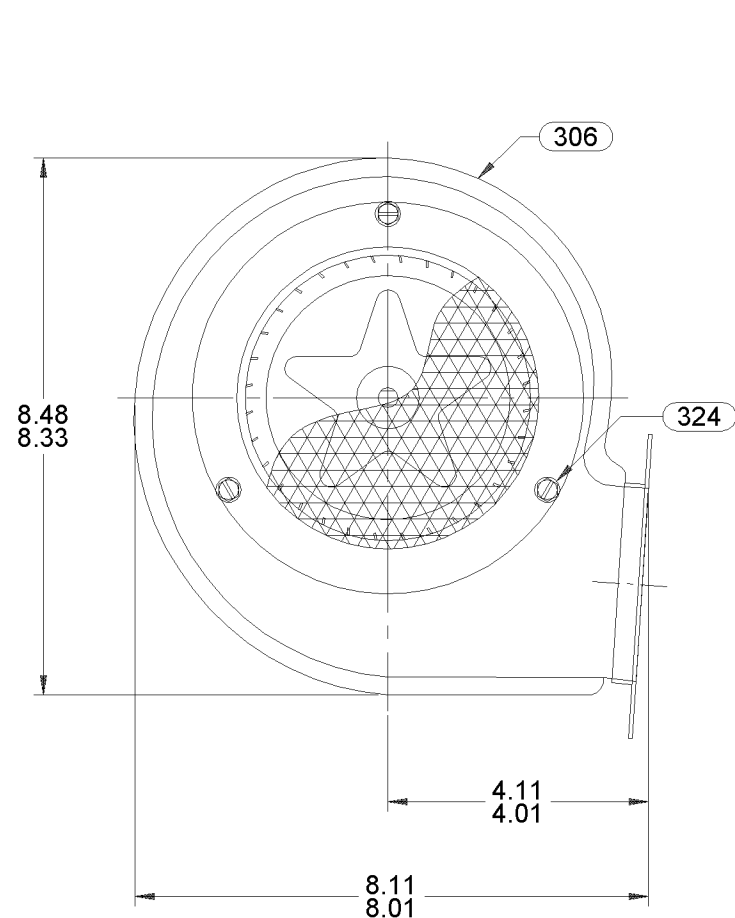


- NOTES:
1. FLANGE MUST BE ON THE SAME PLANE WITHIN 1/8 INCH.
 2. ASSEMBLE SCREEN BETWEEN HOUSING AND INLET RING WITH PC 324 SCREW.
 3. PACK 1 PER CONTAINER, 9 PER LAYER, 4 LAYERS PER PALLET, 36 MAX. PER PALLET. PACKING ASSEMBLY 0032 0613. P.S. 8883 4200.
 4. CARTON LABELS MUST ALL FACE ONE DIRECTION TOWARD THE OPEN END OF THE PALLET. SEE P.S. 8883 4408.
 5. NO PACKING TAPE OVER CARTON LABEL.

APPLICATION	B	LA	FR	A	S	C	E	B	A
THERMALLY PROTECTED CLASS "B1" INSULATION	08	63	30	V	06	EW	5	3	0
	CUSTOMER FASCO DIST.								
	CUSTOMER PART NO. 50756-D230								

LEAD MATERIAL
 18 GA. 125°C 2/64 INSUL.
 X-LINKED POLY. (2) BLACK
 20.00/18.00 IN. LONG
 .68/.56 IN. STRIP



TYPICAL PERFORMANCE TEST DATA IN FREE AIR

ECO. NO.	REV.	DATE	APPROVAL
C440463	09	10-14-10	SED/RPT
4003599	10	11/1/11	MLM/PLA
4007341	11	11/15/2012	SED/MLM
4009664	12	7/8/2013	KSA/NJP

AT 230 VOLTS 60 HZ.		
R.P.M.	WATTS	AMPS
1425	95	.65
BLOWER WEIGHT LBS.		END PLAY .050/.010

UNLESS OTHERWISE SPECIFIED DIMENSIONS ARE IN INCHES TOLERANCES ARE:	
FRACTIONS ± 1/16	DECIMALS .XX ± .01 .XXX ± .005
ANGLES ± 1°	
APPROVALS	DATE
DRAWN SED	4-6-05
CHECKED SDM	4-6-05
FINISH COLOR BLACK	

FASCO FASCO MOTORS GROUP
 AC MOTOR/BLOWER DIVISION

CONFIDENTIAL: DO NOT DUPLICATE OR DISCLOSE TO THIRD PARTIES WITHOUT WRITTEN PERMISSION OF FASCO MOTORS GROUP, AC MOTOR/BLOWER DIVISION.

TITLE: **BLOWER ASSEMBLY**

SIZE **B** DWG. NO. 7063 5884 REV. 12

DO NOT SCALE DRAWING SHEET 1 OF 1

If Printed, this is an Uncontrolled Document.