

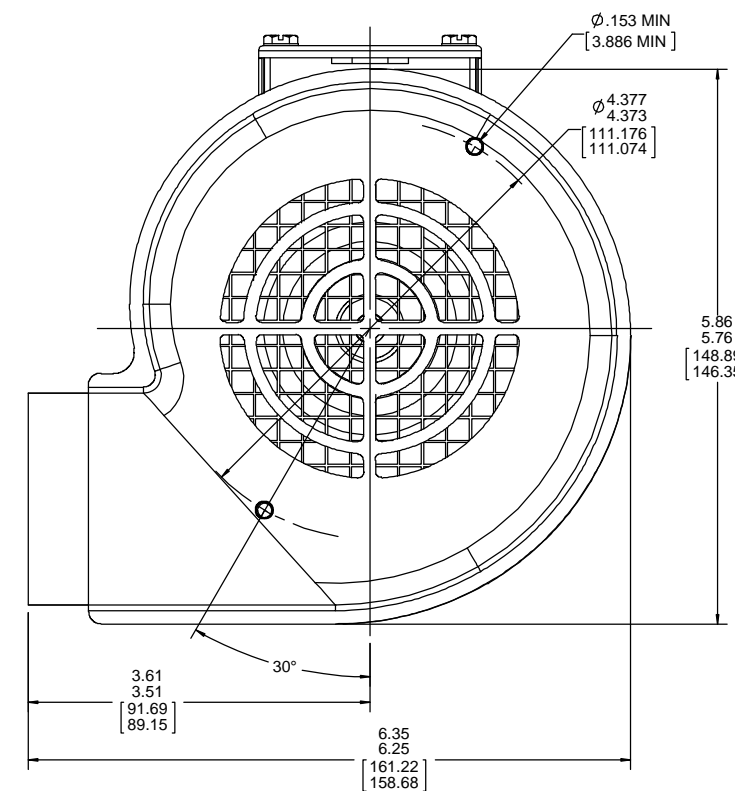
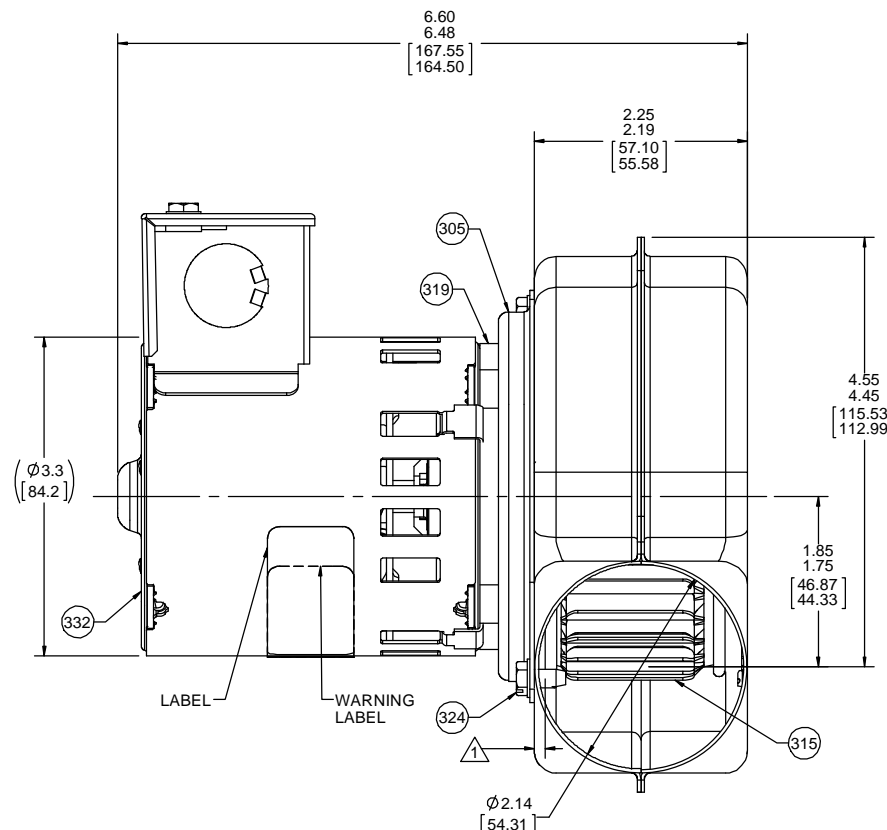
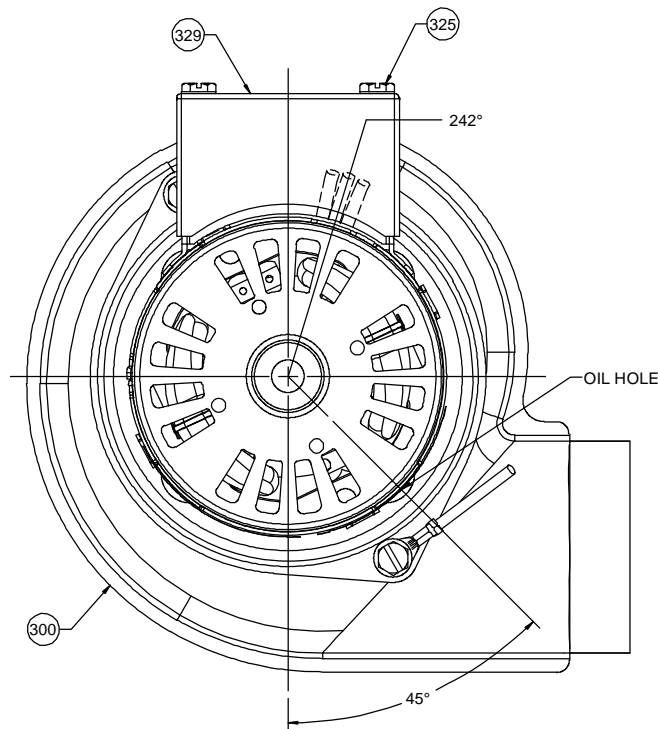
APPLICATION:	WATER HEATER	B	LA	FR	A	S	C	E	B	A
CUSTOMER:	FASCO DIST.	06	21	30	F	02	OF	5	3	0
CUSTOMER PN:	50748-D700									

NOTES:

1. LOCATE IMPELLER .120/ .100 [3.048/2.54] FROM MOUNTING CUP.
2. ATTACH GROUND STRAP TO BLOWER HOUSING AND SECURE WITH PC 324 SCREW AS SHOWN.
3. COIL LEADS INSIDE CONDUIT BOX AND SECURE COVER WITH PC 325 SCREWS.
4. PACK 1 PER CONTAINER, 150 MAX. PER PALLET, PACKING ASSY. 87854000, 30 CONTAINERS PER LAYER, 5 LAYERS PER PALLET, PER 88834200 & 88834408.
5. CARTON LABELS MUST ALL FACE ONE DIRECTION TOWARD THE OPEN END OF THE PALLET. SEE 88834408.
6. NO PACKING TAPE OVER CARTON LABEL.

LEAD MATERIAL
 18 GA. 125°C 2/64 INSUL.
 X-LINKED POLY. (2) BLACK
 8.00/6.00 [203.20/152.40]
 .56/.44 [14.22/11.18] STRIP

GROUND LEAD MATERIAL
 18 GA. 125°C 2/64 INSUL.
 X-LINKED POLY. (1) GRN/YEL
 8.00/6.00 [203.20/152.40]
 .56/.44 [14.22/11.18] STRIP
 (1) ON CLIP PLATE
 18 GA. 105°C 2/64 INSUL.
 THERMO. (1) GRN/YEL
 4.25/3.25 [107.95/82.55]
 RING TERM.
 AMP 350436-2



TYPICAL PERFORMANCE TEST DATA IN FREE AIR			
AT 115 VOLTS 60 Hz			
	RPM	WATTS	AMPS
	2860	65	.79
BLOWER WEIGHT	3.8 LBS.		ENDPLAY .050/.010 [1.270/0.254]

DRAWING REVISION AJ	REVISION BY PLA	DATE 6/7/2018	TOLERANCES UNLESS OTHERWISE SPECIFIED: DEC. INCH mm ANGLE .X ±0.1 [±2.5] .XX ±0.01 [±0.25] .XXX ±0.005 [±0.127] XXXX ±0.0005 [±0.0127]	DRAWN BY PLA	DATE 3/2/2016	REGAL TM Regal Beloit America, Inc.
ECO-0146262	APPROVED BY JMG	DATE 6/7/2018	REMOVE BURRS & BREAK SHARP EDGES: .003/.015 [0.076/.381] X 45° CORNER FILLETS: R.02 [.51] MACHINED SURFACES: 125 INCR/ML mm SHOWN IN [BRACKETS]	APPROVED BY MLS	DATE 3/2/2016	DESCRIPTION OUTLINE BLOWER ASSY
ADDED GROUND LEAD PICTORIALLY			REFERENCE	MATERIAL	PROCESS/FINISH BLACK	SHEET 1 OF 1
<small>PROPRIETARY AND CONFIDENTIAL INFORMATION - THIS DOCUMENT IS THE PROPERTY OF REGAL BELOIT AMERICA, INC. CONCEPT AND CONTENTS OWNERS PROPRIETARY INFORMATION. ANY PERSON, CORPORATION OR OTHER FIRM RECEIVING IT IS DEEMED, BY RECEIVING IT, TO AGREE THAT IT, AND/OR ANY PART OF IT, SHALL NOT BE DISCLOSED TO ANY PERSON, CORPORATION OR OTHER ENTITY, DUPLICATED, AND/OR USED, EXCEPT AS EXPRESSLY APPROVED IN WRITING IN ADVANCE BY OWNER. THIS DOCUMENT SHALL BE RETURNED TO OWNER UPON REQUEST. IT MAY BE SUBJECT TO CERTAIN RESTRICTIONS UNDER APPLICABLE EXPORT CONTROL LAWS AND REGULATIONS.</small>			THIRD ANGLE PROJECTION	SIZE D	DRAWING NUMBER 70215763	