

NOTES:

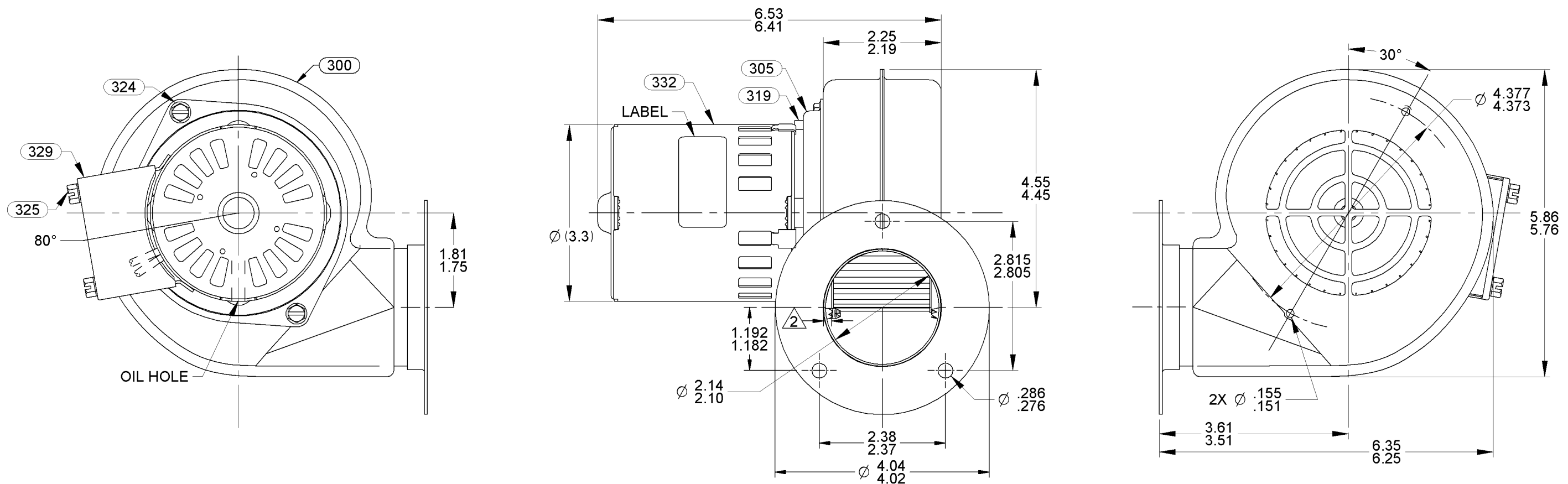
1. NO KNOCKOUTS REMOVED.
2. LOCATION OF IMPELLER TO BE .200/.120 FROM EDGE OF MOUNTING CUP TO EDGE OF IMPELLER.
3. COIL LEADS INSIDE CONDUIT BOX AND SECURE PC 329 COVER WITH PC 325 SCREWS AFTER TEST.
4. INDIVIDUAL PACK: 1 PER CONTAINER, 100 MAX. PER PALLET, PACKING ASSY: 87854000, 20 CONTAINERS PER LAYER, 5 LAYERS PER PALLET, P.S. 88834200 AND P.S. 88834408. BULK PACK: 20 PER CONTAINER, 240 MAX. PER PALLET, PACKING ASSY: 87854376, P.S. 88834200 AND P.S. 88834408.
5. CARTON LABELS MUST ALL FACE ONE DIRECTION TOWARD THE OPEN END OF THE PALLET. SEE P.S. 8883 4408.
6. NO PACKAGING TAPE OVER CARTON LABEL.

APPLICATION

THERMALLY PROTECTED

B	LA	FR	A	S	C	E	B	A
06	21	30	F	02	OF	5	3	0
CUSTOMER								FASCO DIST.
CUSTOMER PART NO.								50748-D500

LEAD MATERIAL  
 18 GA. 125°C 2/64 INSUL.  
 X-LINKED POLY. (2) BLACK  
 8.00/6.00 IN. LONG  
 .56/.44 IN. LONG



TYPICAL PERFORMANCE TEST DATA  
 IN FREE AIR

AT 115 VOLTS 60 HZ.

ECO. NO.	REV.	DATE	APPROVAL	R.P.M.	WATTS	AMPS
4001873	42	5/2/11	MLM/PLA	2860	65	.79
4008447	43	2/28/2013	SDM/BGP			
4008834	44	4/8/2013	KSA/SDM			

APPROVALS	DATE
DRAWN SDM	09/19/2003
CHECKED BGP	09/19/2003
FINISH COLOR	BLACK

UNLESS OTHERWISE SPECIFIED DIMENSIONS ARE  
 IN INCHES TOLERANCES ARE:  
 FRACTIONS ± 1/16 DECIMALS XX ± .01 ANGLES ± 1°  
 XXX ± .005

**FASCO** FASCO MOTORS GROUP  
 AC MOTOR/BLOWER DIVISION

CONFIDENTIAL: DO NOT DUPLICATE OR DISCLOSE TO THIRD PARTIES WITHOUT WRITTEN PERMISSION OF FASCO MOTORS GROUP, AC MOTOR/BLOWER DIVISION.

TITLE			BLOWER ASSEMBLY
SIZE	DWG. NO.		REV.
B	7021 2588		44
DO NOT SCALE DRAWING		SHEET	1 OF 1